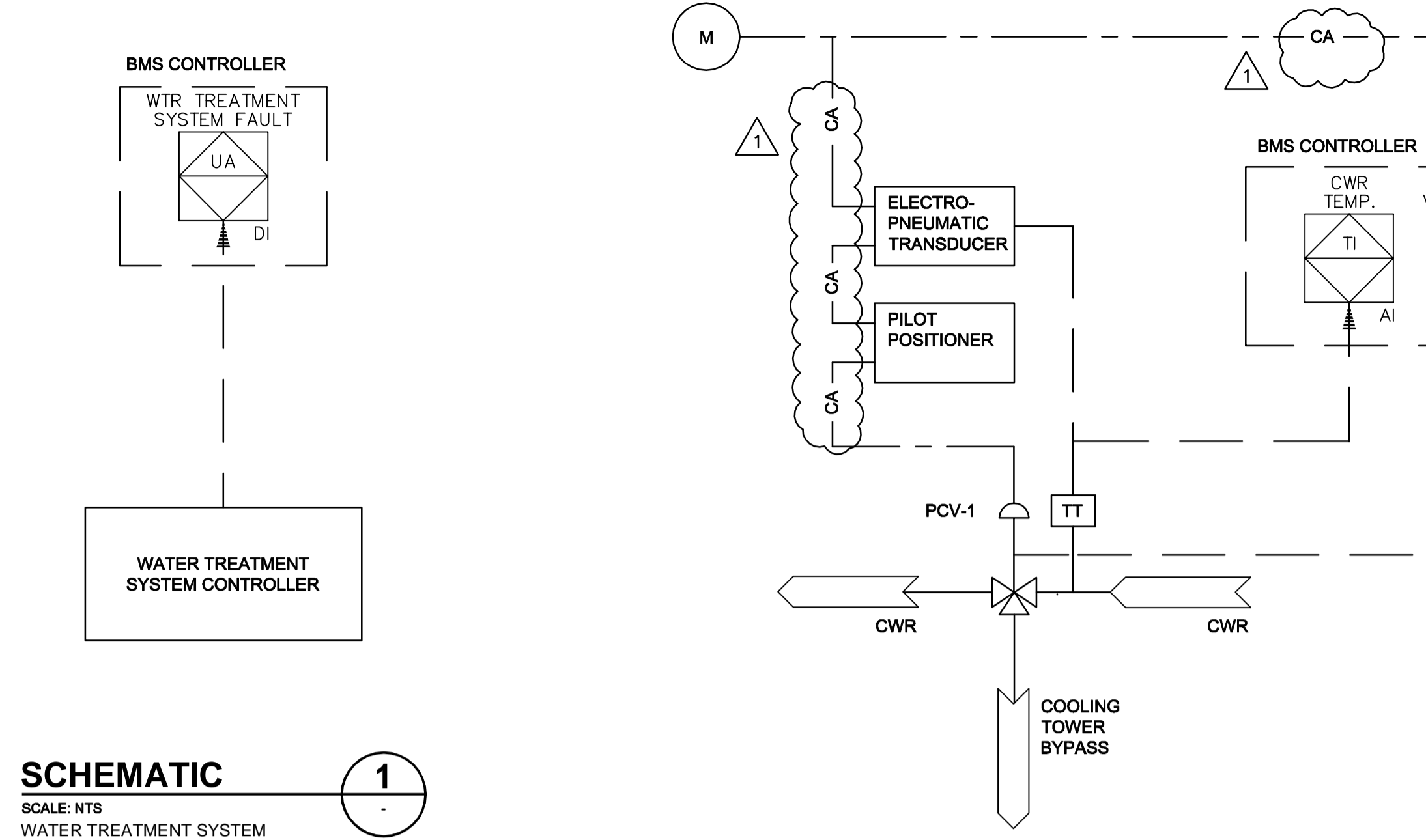
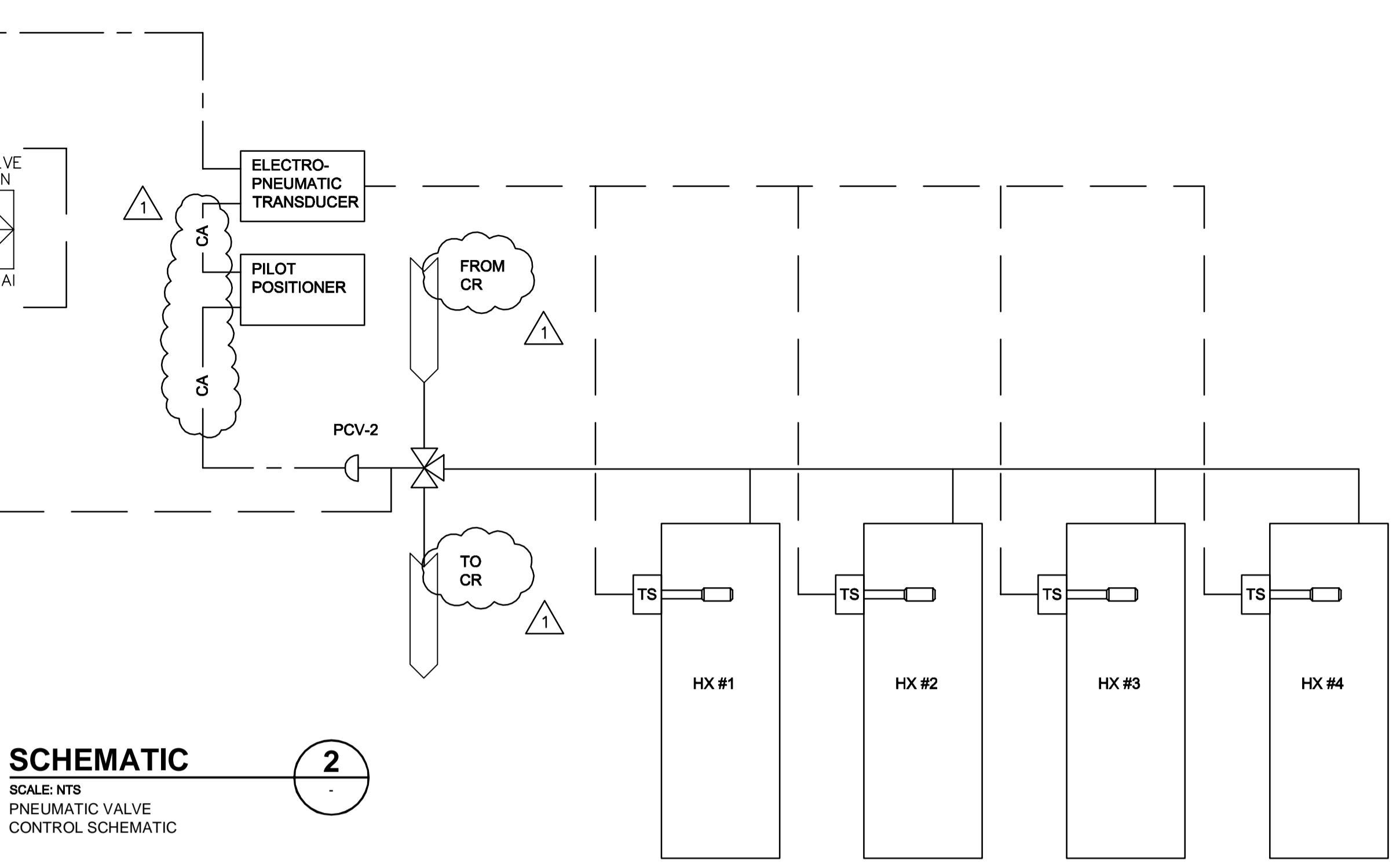


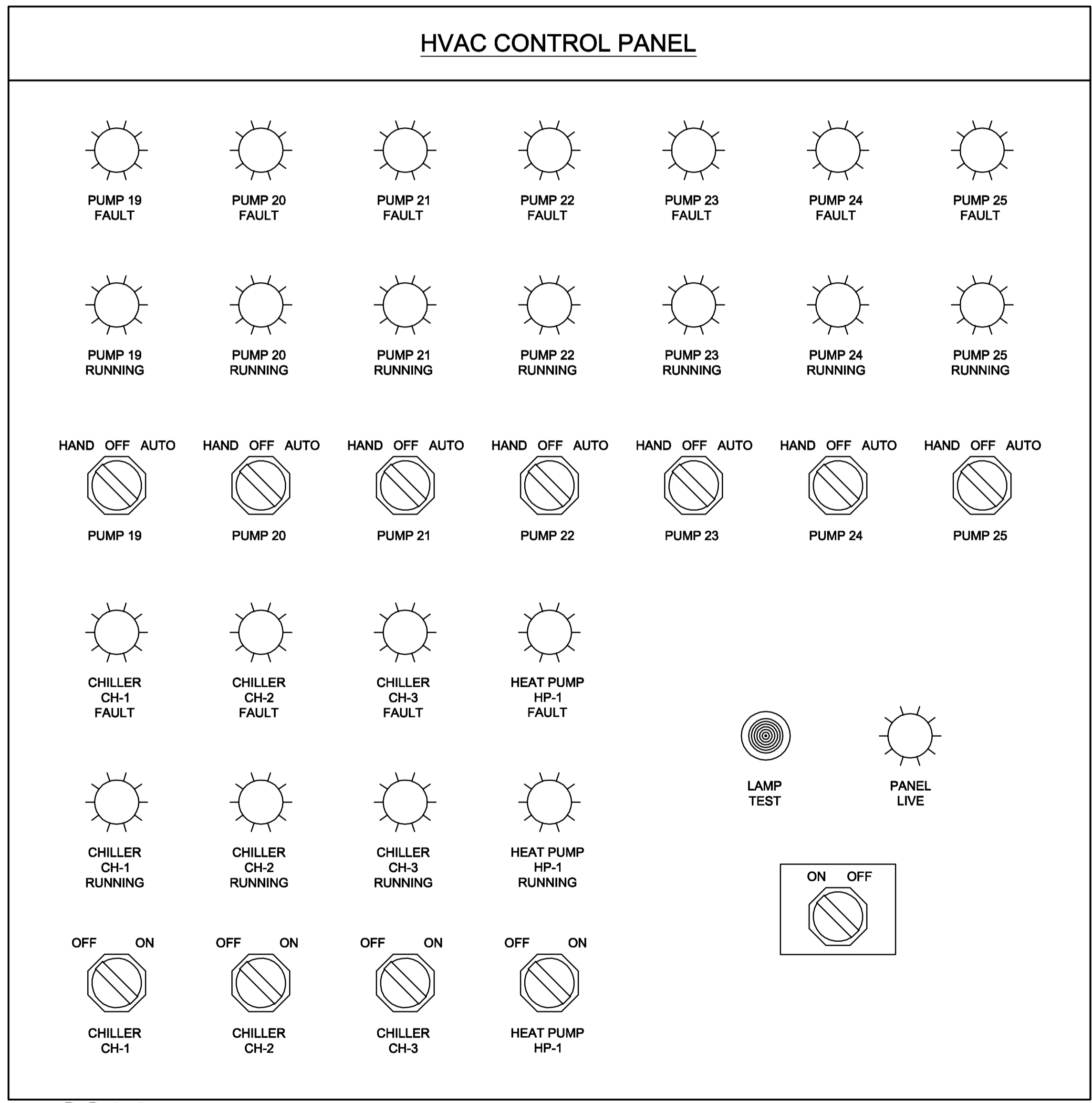
NOTES:



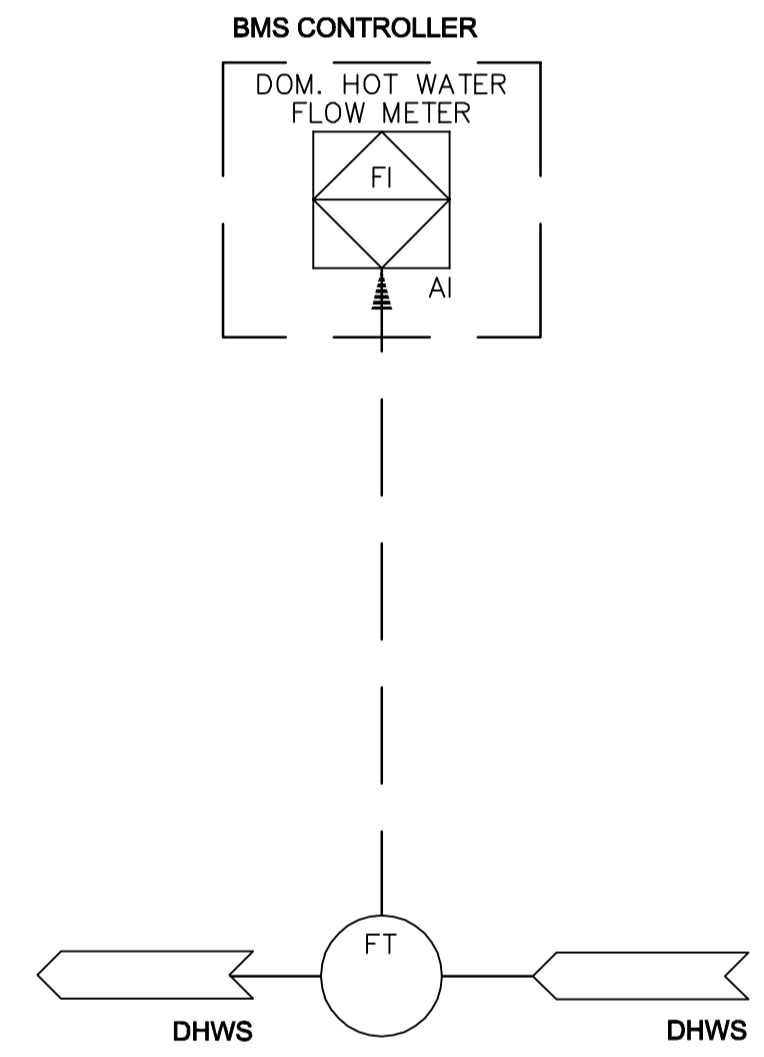
**SCHEMATIC**  
SCALE: NTS  
WATER TREATMENT SYSTEM  
CONTROL SCHEMATIC



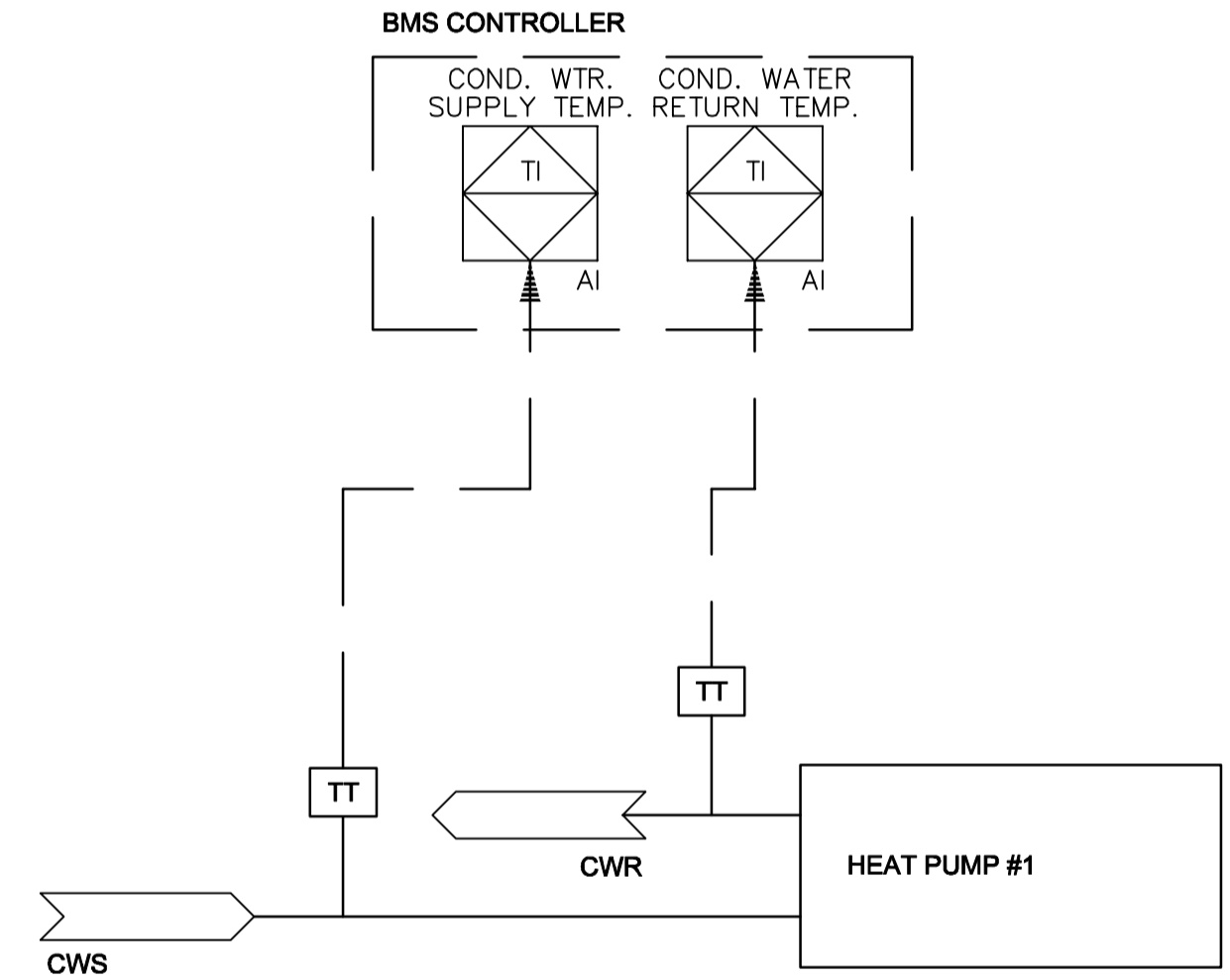
**SCHEMATIC**  
SCALE: NTS  
PNEUMATIC VALVE  
CONTROL SCHEMATIC



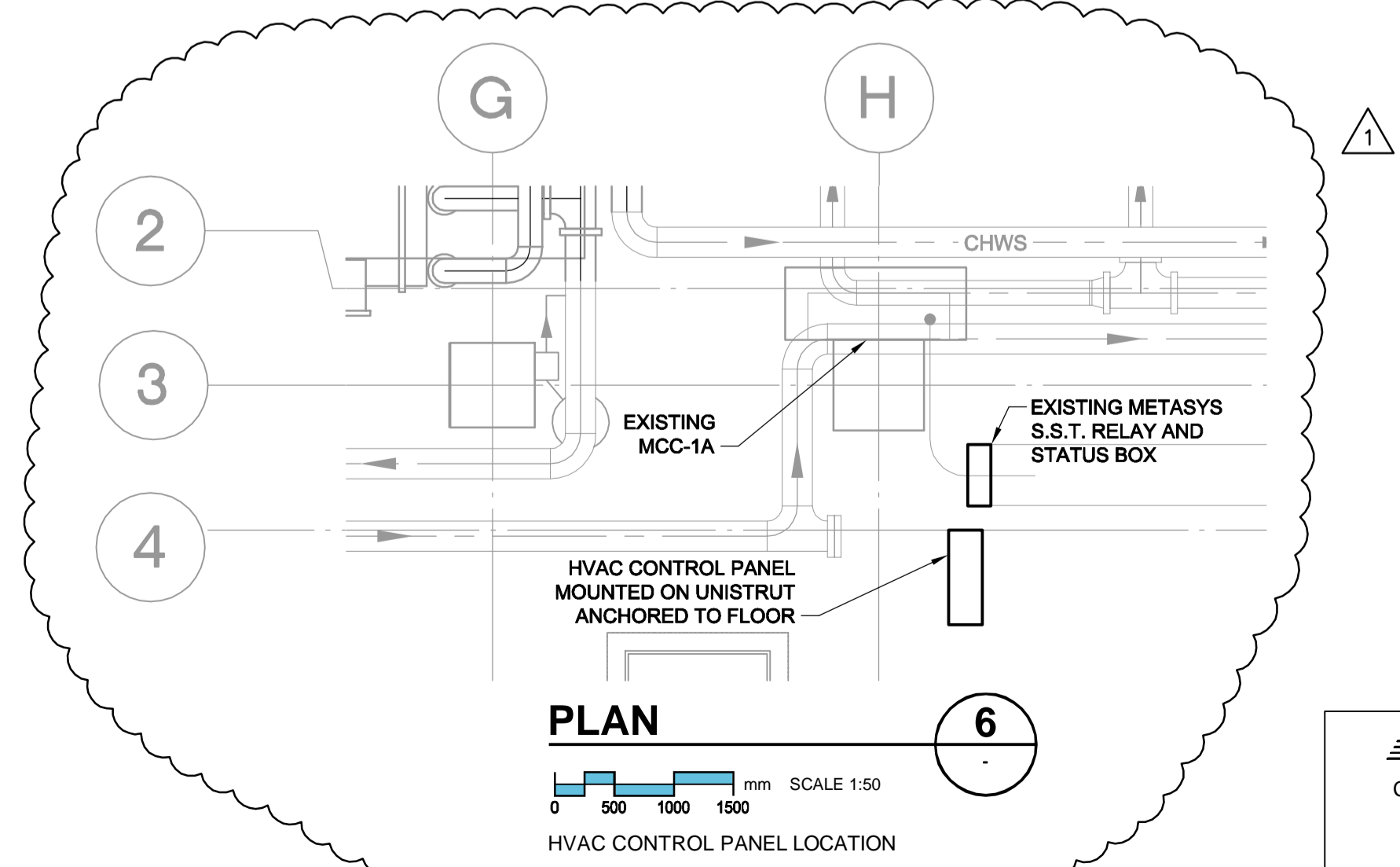
**SCHEMATIC**  
SCALE: NTS  
HVAC CONTROL PANEL  
DISPLAY LAYOUT



**SCHEMATIC**  
SCALE: NTS  
DOMESTIC HOT WATER  
CONTROL SCHEMATIC



**SCHEMATIC**  
SCALE: NTS  
HEAT PUMP CONDENSOR  
WATER TEMPERATURE  
CONTROL SCHEMATIC



**PLAN**  
SCALE: 1:50  
HVAC CONTROL PANEL LOCATION

<b>AECOM</b>			
This drawing has been prepared for the use of AECOM's client and may not be used, reproduced or relied upon by third parties, except as agreed by AECOM and its client, as required by law or for use by governmental reviewing agencies. AECOM accepts no responsibility, and denies any liability whatsoever, to any party that modifies this drawing without AECOM's express written consent. Do not scale this document. All measurements must be obtained from stated dimensions.			
1	ISSUED FOR ADDENDUM 1	DL	2011.11.16
0	ISSUED FOR TENDER	GT	2011.11.03
No.	REVISION/DESCRIPTION	BY	DATE

REVISION No. 1  
ISSUED FOR PERMIT/CONSTRUCTION  
WAS SEALED BY  
DING CHAN  
AND DATED  
2010.10.14

DRAWN	GT	CHECKED	DC	DESIGNED	DC	APPROVED	PVL
DATE	2011.09.02	USER	APPROVAL				

THE CITY OF WINNIPEG  
PLANNING, PROPERTY AND  
DEVELOPMENT DEPARTMENT  
MUNICIPAL ACCOMMODATIONS DIVISION  
3-65 GARRY STREET, R3C 4K4

PROJECT  
ADMINISTRATION & COUNCIL BUILDING  
REPLACEMENT OF COOLING PLANT - 510 MAIN STREET  
BID OPPORTUNITY NO. 673-2011  
510 MAIN STREET, WINNIPEG, MANITOBA

SHEET TITLE  
**MECHANICAL  
CONTROLS SCHEMATIC  
SHEET 2 OF 2**

**APEGM**  
Certificate of Authorization  
AECOM Canada Ltd.  
No. 4671 Date: \_\_\_\_\_

DRN	CHK	DES	ENG	IDR
AECOM REVIEW				

SCALE: NTS PROJECT No: 60220937 SHEET No: **M-011**