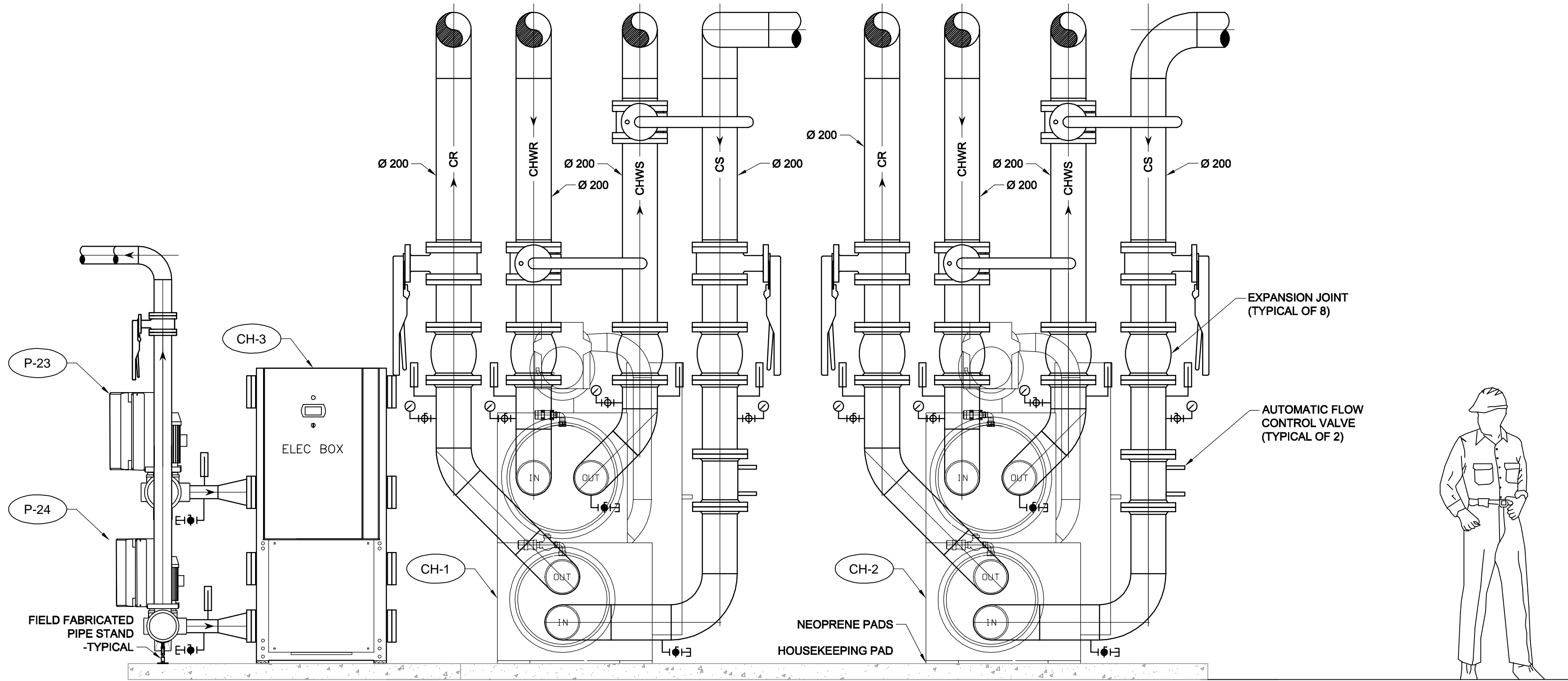
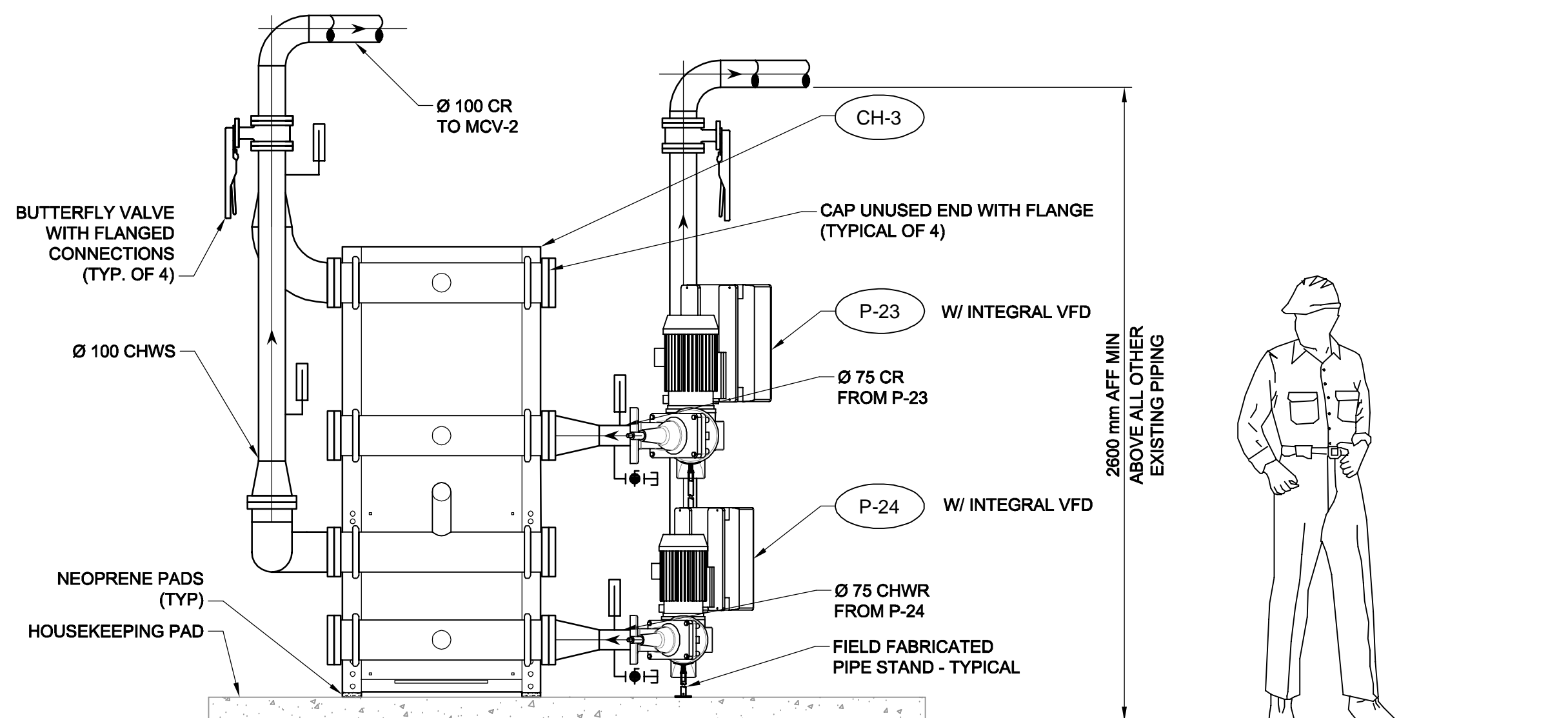


NOTES:



SECTION A
SCALE 1:20
M-003



SECTION B
SCALE 1:20
M-003

AECOM

This drawing has been prepared for the use of AECOM's client and may not be used, reproduced or relied upon by third parties, except as agreed by AECOM and its client, as required by law or for use by governmental reviewing agencies. AECOM accepts no responsibility, and denies any liability whatsoever, to any party that modifies this drawing without AECOM's express written consent. Do not scale this document. All measurements must be obtained from stated dimensions.

No.	REVISION/DESCRIPTION	BY	DATE
0	ISSUED FOR TENDER	GT	2011.11.03

SEAL

DRAWN	GT	CHECKED	DC	DESIGNED	DC	APPROVED	PVL
DATE	2011.09.02	USER					

Winnipeg THE CITY OF WINNIPEG
PLANNING, PROPERTY AND
DEVELOPMENT DEPARTMENT
MUNICIPAL ACCOMMODATIONS DIVISION
3-65 GARRY STREET, R3C 4K4

PROJECT
ADMINISTRATION & COUNCIL BUILDING
REPLACEMENT OF COOLING PLANT - 510 MAIN STREET
BID OPPORTUNITY NO. 673-2011
510 MAIN STREET, WINNIPEG, MANITOBA

SHEET TITLE
MECHANICAL
SECTIONS

APEGM
Certificate of Authorization
AECOM Canada Ltd.
No. 4671 Date: _____

DRN	CHK	DES	ENG	IDR

AECOM REVIEW

SCALE	PROJECT No:	SHEET No:
NTS	60220937	M-007