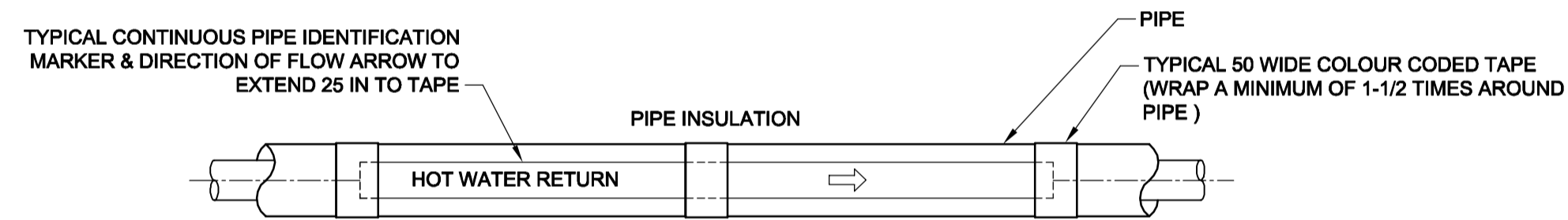
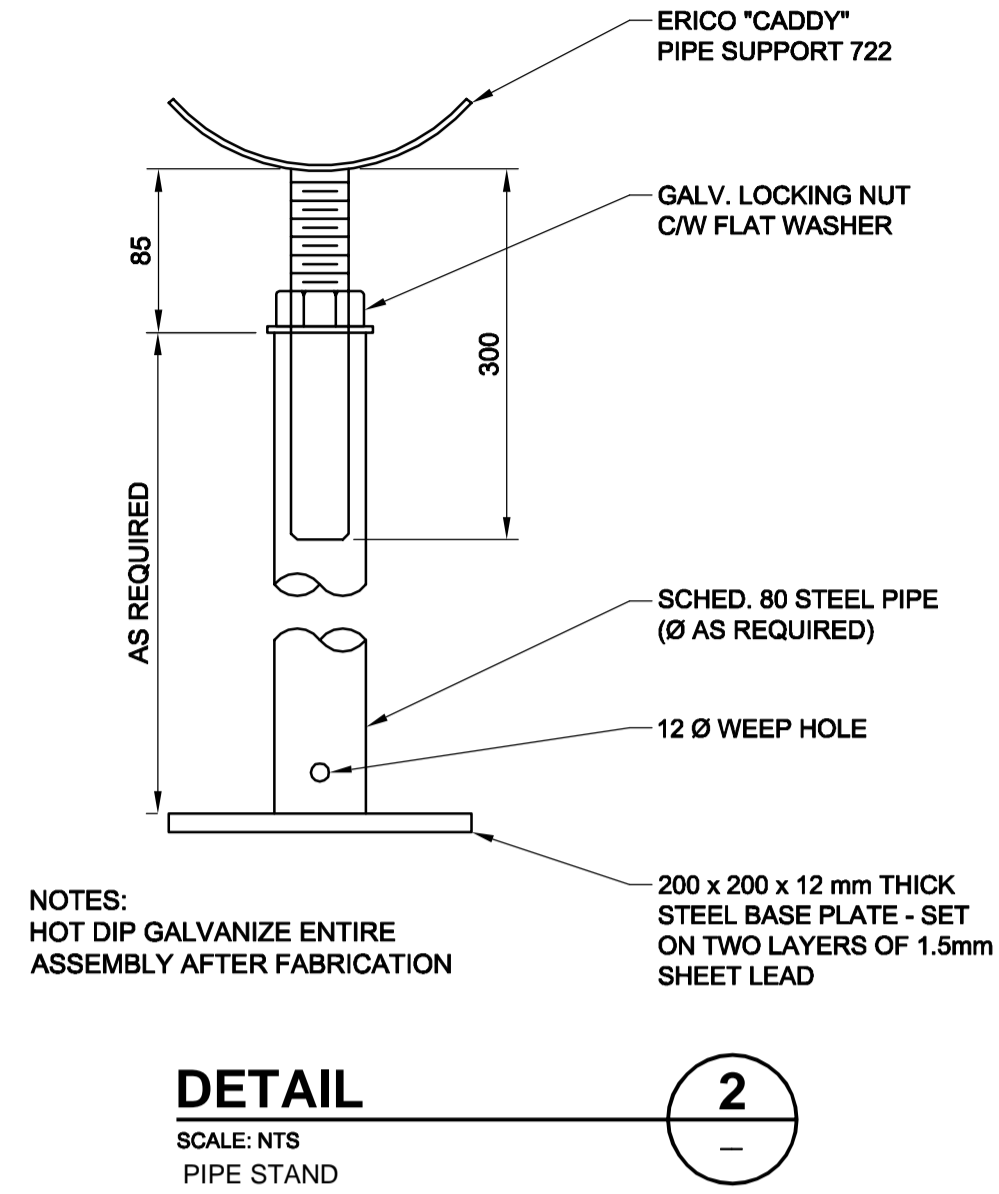
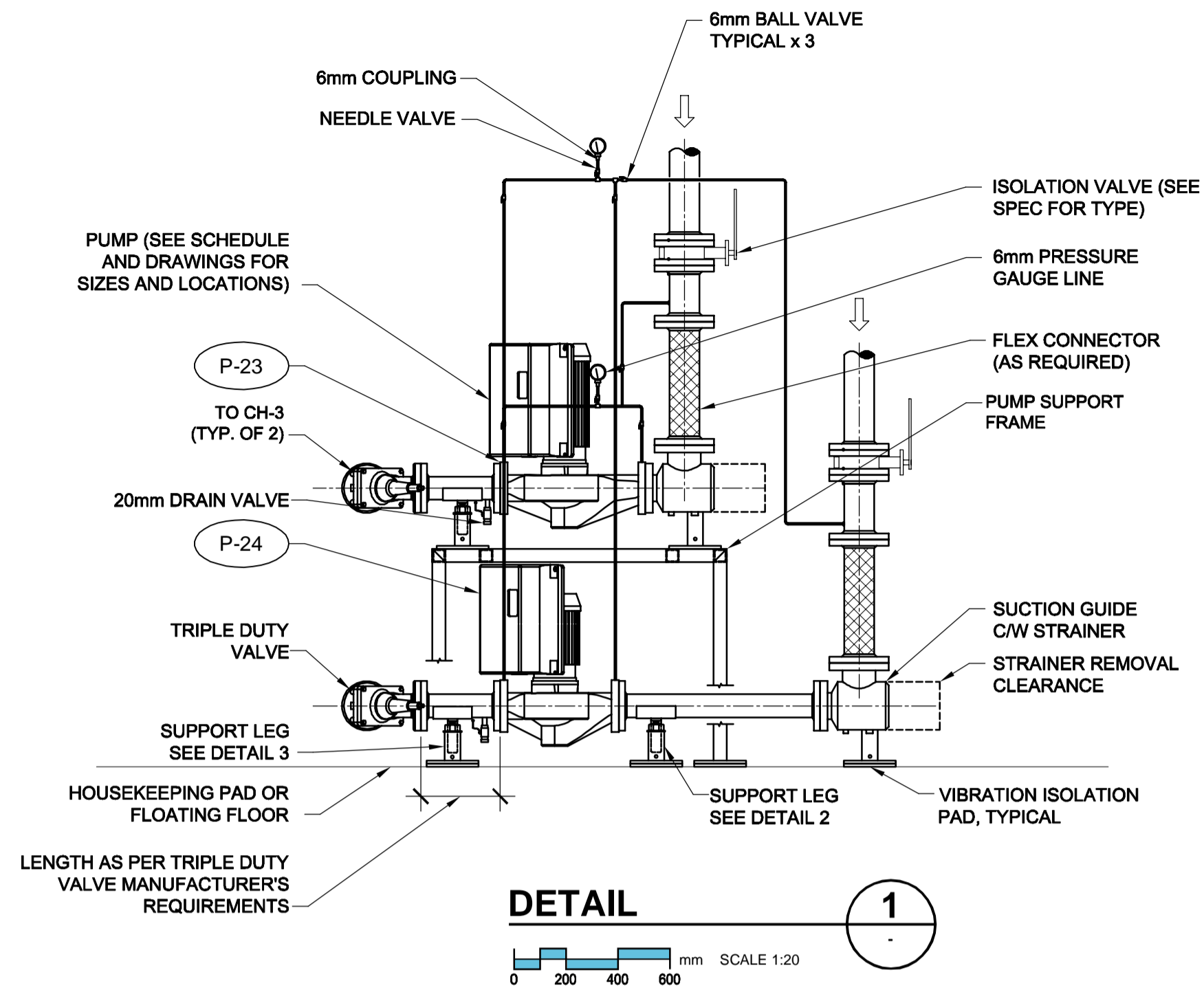


NOTES:



NOTES:

1. APPLY A CONTINUOUS COATING OF CONTACT CEMENT TO THE LABEL TO ENSURE PERMANENT ADHESION.
2. REFER TO SPECIFICATION FOR COLOUR CODING OF SERVICES DIRECTION.
3. INSTALL AT 15000 INTERVALS (MAXIMUM) AND AT EACH CHANGE.

DETAIL 3
 SCALE: NTS
 PIPE IDENTIFICATION

AECOM

This drawing has been prepared for the use of AECOM's client and may not be used, reproduced or relied upon by third parties, except as agreed by AECOM and its client, as required by law or for use by governmental reviewing agencies. AECOM accepts no responsibility, and denies any liability whatsoever, to any party that modifies this drawing without AECOM's express written consent. Do not scale this document. All measurements must be obtained from stated dimensions.

| 0 | ISSUED FOR TENDER | GT | 2011.11.03 |
|-----|----------------------|----|------------|
| No. | REVISION/DESCRIPTION | BY | DATE |

SEAL

| | | | | | | | |
|-------|------------|---------------|----|----------|----|----------|-----|
| DRAWN | GT | CHECKED | DC | DESIGNED | DC | APPROVED | P/L |
| DATE | 2011.09.02 | USER APPROVAL | | | | | |

Winnipeg THE CITY OF WINNIPEG
 PLANNING, PROPERTY AND
 DEVELOPMENT DEPARTMENT
 MUNICIPAL ACCOMMODATIONS DIVISION
 3-65 GARRY STREET, R3C 4K4

PROJECT
 ADMINISTRATION & COUNCIL BUILDING
 REPLACEMENT OF COOLING PLANT - 510 MAIN STREET
 BID OPPORTUNITY NO. 673-2011
 510 MAIN STREET, WINNIPEG, MANITOBA

SHEET TITLE
**MECHANICAL
 HYDRONIC DETAILS**

APEGM
 Certificate of Authorization
 AECOM Canada Ltd.
 No. 4671 Date: _____

| | | | | |
|-----|-----|-----|-----|-----|
| DRN | CHK | DES | ENG | IDR |
| | | | | |

AECOM REVIEW

| | | |
|-------|-------------|-----------|
| SCALE | PROJECT No: | SHEET No: |
| NTS | 60220937 | M-012 |