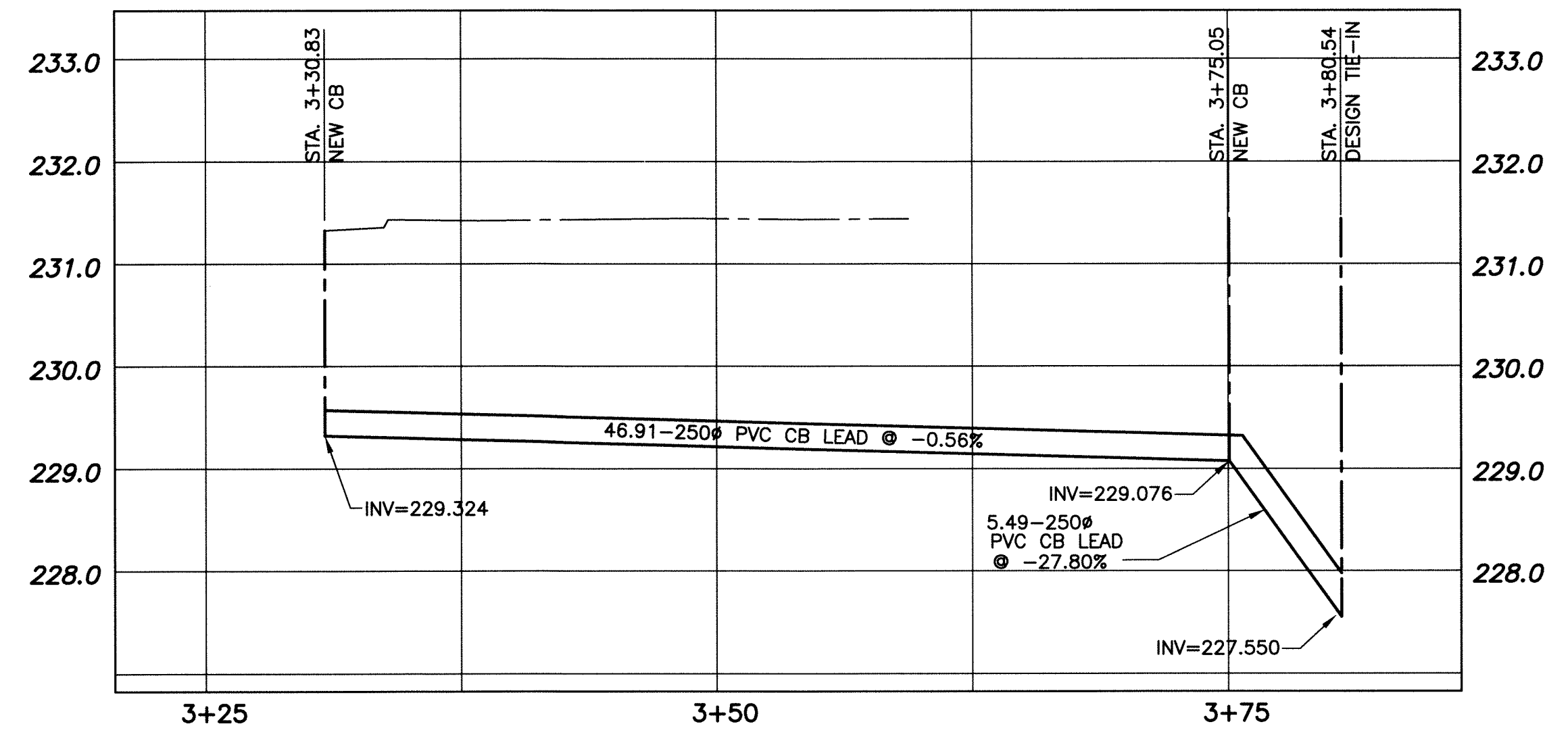
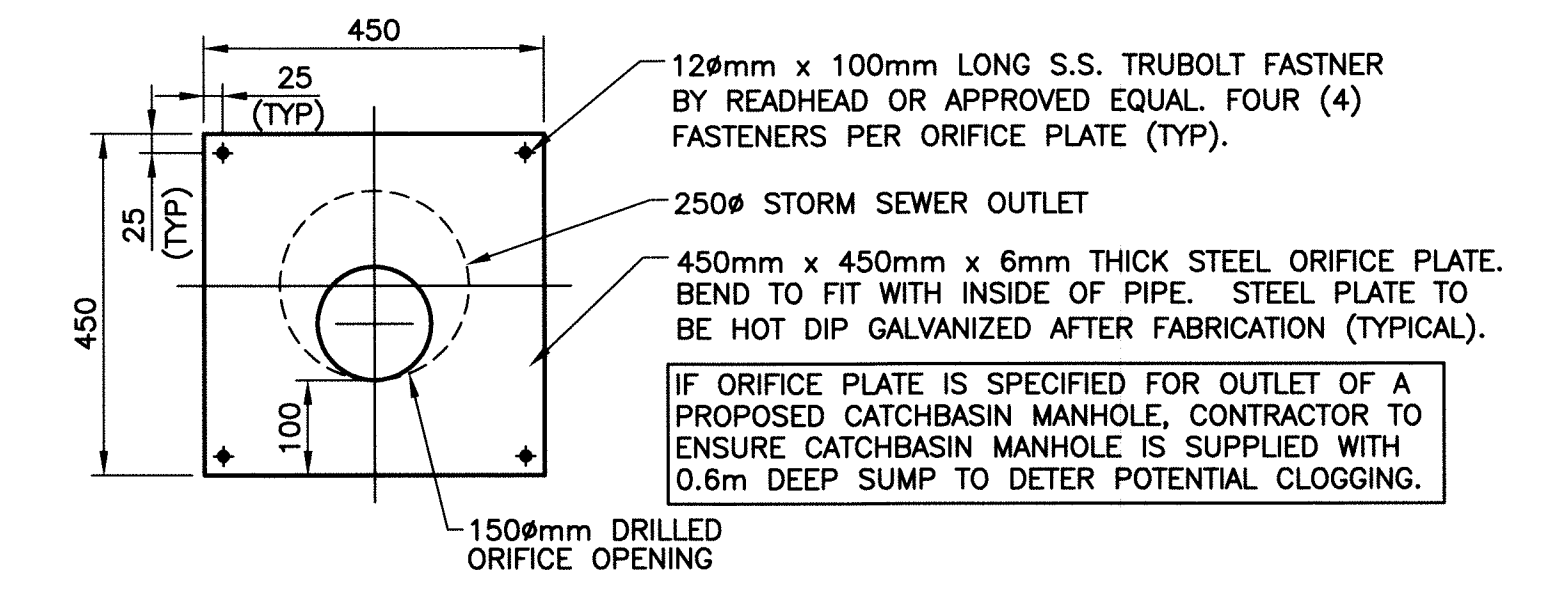


File Name: P:\Projects\2011\11-0107-25\Doc\Control\Tab\Belused\DWG\11-0107-25_0003-Rev 0.dwg - Tab: 03 Plotted By: GScreenen 11/08/29 [Mon 4:17pm]
 AT/PLOT SCALE:

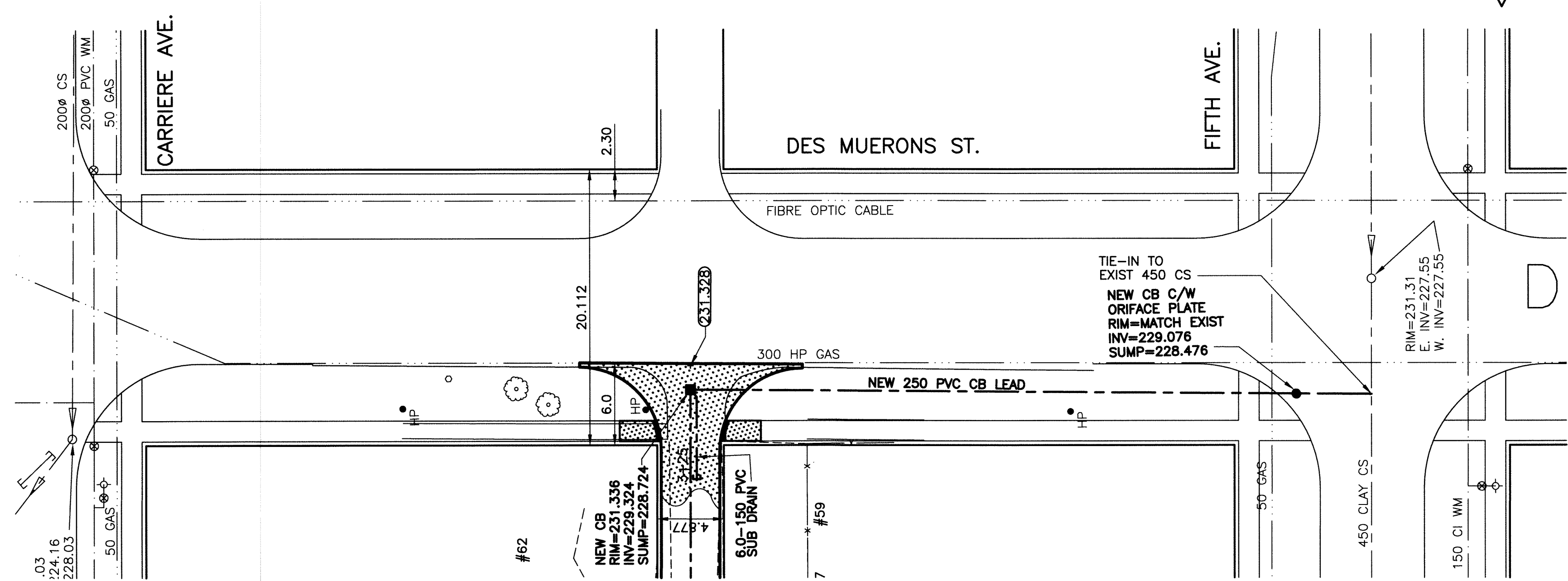


CATCH BASIN & CATCH BASIN LEAD PROFILE
 SCALE: HOR 1:250
 VER 1:50

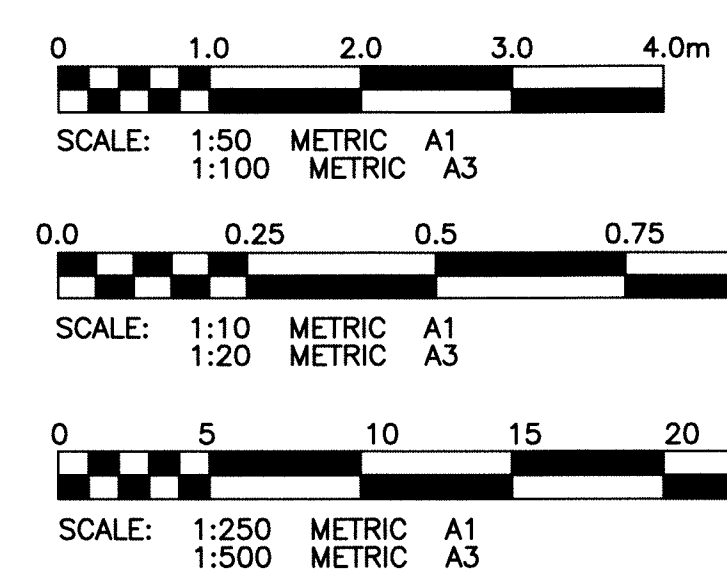


ORIFICE PLATE DETAIL
 SCALE: 1:10

- NOTE:**
1. STATION CHAINAGE IS BASED ON CENTERLINE OF ALLEY RIGHT OF WAY.
 2. ADJUST MH AND CB RIMS TO NEW GRADES.
 3. PLUG SUBDRAINS AT TERMINAL ENDS.
 4. REGRADE EXISTING PRIVATE SIDEWALKS AS REQUIRED.
 5. INSTALLATION OF LIP CURBS AND THEIR EXTENTS TO BE DETERMINED BY THE CONTRACT ADMINISTRATOR.
 6. LIGHT STANDARDS, HYDRO POLES AND ANCHORS MAY REQUIRE TEMPORARY SUPPORT/REMOVAL OR REPLACEMENT AT THE CONTRACTOR'S EXPENSE.
 7. ISOLATE ALL POLES, BASES AND PILES WITHIN ALLEY RIGHT OF WAY (SD-228C).
 8. AVOID DAMAGE TO EXISTING TREES WITHIN THE LIMITS OF CONSTRUCTION.



ALLEY PAVEMENT PLAN
 SCALE: HOR 1:250



PROPERTY LIMITS DELINEATION

DELINEATION OF PROPERTY LIMITS AS SHOWN ON THIS DWG DOES NOT REPRESENT A "LEGAL SURVEY". KGS GROUP MAKES NO REPRESENTATION OR WARRANTY AS TO THE ACCURACY OF PROPERTY LIMITS DELINEATED ON THIS DWG, NOR ON THE DIMENSIONAL ACCURACY OF DWG FEATURES RELATIVE TO THOSE PROPERTY LIMITS.

WARNING

1. NOTIFY THE GAS COMPANY OF THE PROPOSED LOCATION OF EXCAVATION.
2. TAKE PRECAUTION TO AVOID DAMAGE TO GAS COMPANY INSTALLATIONS.
3. SEE PROVINCIAL REGULATION 210/72 FOR DETAILS.

METRIC

WHOLE NUMBERS INDICATE MILLIMETRES
 DECIMALIZED NUMBERS INDICATE METRES

300 L.D.S.	LAND DRAINAGE SEWER	250 WWS	250 WWS	500 L.D.S.	TEST HOLE			
---	WASTE WATER SEWER	---	---	---	GUY WIRE	---	---	S/E TOPO
---	GAS	---	---	---	LIGHT STANDARD	---	---	N/W TOPO
---	HYDRO	---	---	---	BACK OF CURB	---	---	S/E BLDG
---	M.T.S.	---	---	---	CONCRETE	---	---	N/W BLDG
---	WATERMAIN	---	---	---	ASPHALT	---	---	S/E CONCRETE
---	HYDRANT	---	---	---	PROPERTY LINE	---	---	N/W CONCRETE
---	VALVE	---	---	---	SURVEY BAR	---	---	Q PROFILE
---	MANHOLE	---	---	---	GEODETIC BENCHMARK	---	---	N/W ALLEY EDGE
---	CATCH BASIN	---	---	---	ELEVATION	---	---	S/E ALLEY EDGE
---	CURB INLET	---	---	---		---	---	
---	POLES	---	---	---		---	---	
---	EXISTING	---	---	---	LEGEND-PLAN	---	---	LEGEND-PROFILE
---	PROPOSED	---	---	---	PROPOSED	---	---	PROPOSED

LOCATION APPROVED UNDERGROUND STRUCTURES

NO. REVISIONS DATE BY

0 ISSUED FOR TENDER 11/08/29

NO. REVISIONS DATE BY

0 11/09/15

KGS GROUP CONSULTING ENGINEERS

DESIGNED BY: RBO CHECKED BY: RJH

DRAWN BY: DMW APPROVED BY: RJH

HOR. SCALE: 1:250 RELEASED FOR CONSTRUCTION: 11/09/15

VERTICAL: 1:50

ENGINEER'S SEAL

PROVINCE OF MANITOBA
 R.B. OFFMAN
 Member
 24707

CONSULTANT DRAWING NO. 11-0107-25_03

THE CITY OF WINNIPEG PUBLIC WORKS DEPARTMENT ENGINEERING SERVICES DIVISION

PROJECT TITLE: 2011 ALLEY RENEWAL PROGRAM

SHEET OF 03 03

COMPUTER FILE NAME: FIFTH_CARRIER

CITY DRAWING NUMBER: 0003

ST. MARY'S RD. TO DES MUEURONS ST. FIFTH AVE CB TIE-IN