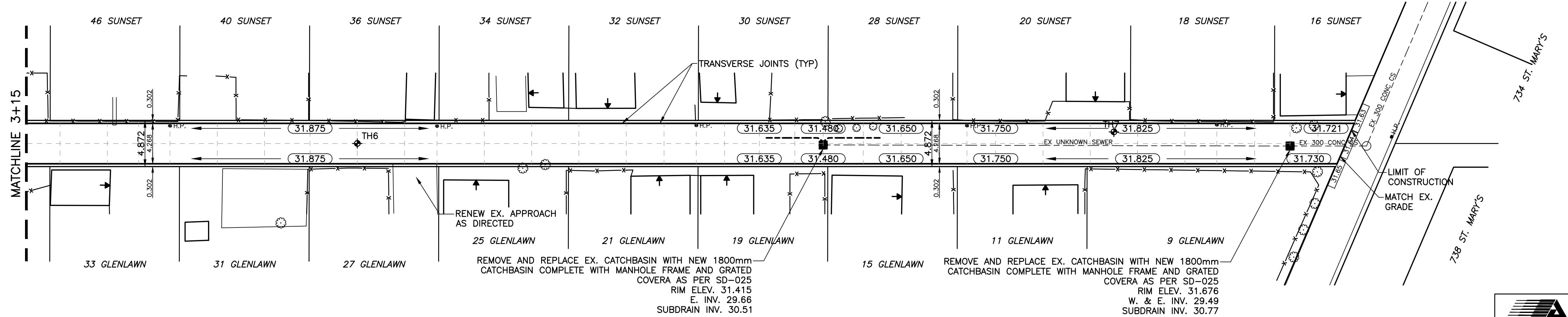
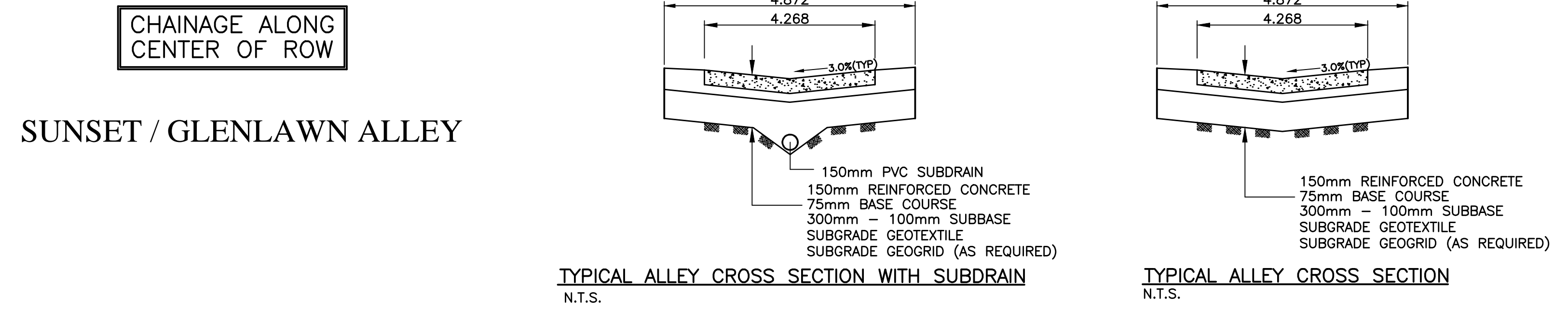
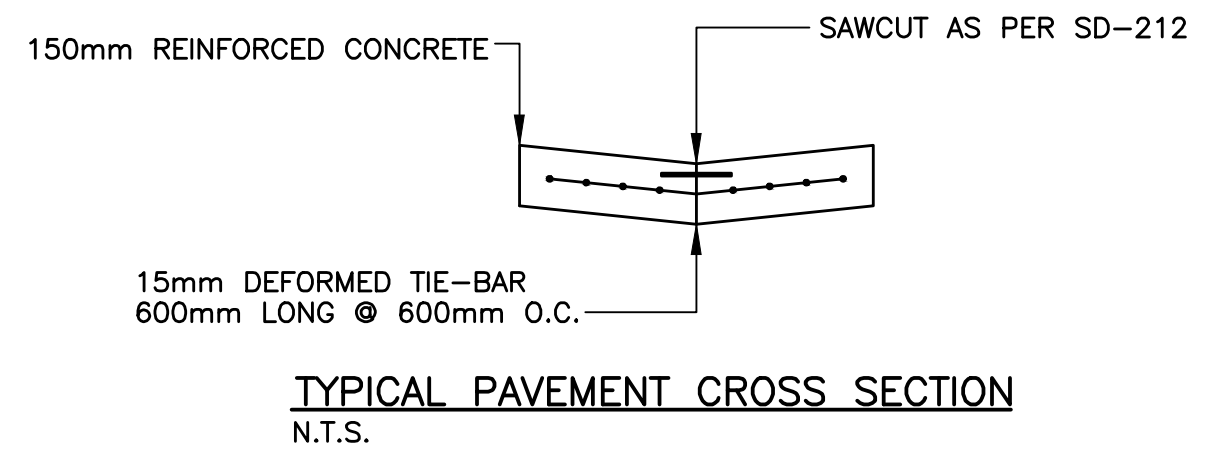


- NOTES:**
- ISOLATE EXISTING HYDRO POLES AS DIRECTED BY CONTRACT ADMINISTRATOR
  - RENEW EXISTING APPROACHES AS DIRECTED BY CONTRACT ADMINISTRATOR
  - EXTEND SUBDRAINS AS DIRECTED BY CONTRACT ADMINISTRATOR
  - ADDITIONAL EXCAVATION AND INSTALLATION OF SUBGRADE GEOTEXTILE TO BE DETERMINED BY CONTRACT ADMINISTRATOR
  - CROSSFALL TO BE ADJUSTED AS SHOWN ON PROFILE



"Description of property limits, and existing and/or proposed features relative to these limits as shown on this drawing do not represent a Legal Survey. GENIVAR makes no representation or guarantee that the property limit information is accurate. GENIVAR accepts no responsibility for damages, if any, suffered by any third party as a result of decisions made or actions based on this drawing."

INSTALL PVC SUBDRAIN BETWEEN STA. 3+93.26 AND 4+05.26

DESCRIPTION  
S.E. COR. FERROVIA AVE & DUNKIRK DR., TBLT.  
ON TOP OF 0.05m DIA. X 2.4m IRON PIPE, 27.5m N.  
OF S.L. OF LANE N. OF GLEN AVE. & 4.4m W. OF E.L.  
(FENCE LINE) OF LAST HOUSE ON N. SIDE OF GLEN AVE.

EXISTING	LEGEND - PLAN	PROPOSED	EXISTING	LEGEND - PLAN	PROPOSED	EXISTING	LEGEND - PROFILE	PROPOSED
○	WATERMAIN	○	---	M.T.S.	---	---	WATERMAIN	---
○	HYDRANT	○	---	TRAFFIC SIGNAL	---	---	VALVE	---
○	VALVE	○	---	CONCRETE/ASPHALT	---	---	LAND DRAINAGE SEWER	---
○	CURB STOP	○	---	SIDEWALK	---	---	WASTE WATER SEWER	---
---	WASTE WATER SEWER	---	---	CURB RAMP	---	---	CENTERLINE	---
---	LAND DRAINAGE SEWER	---	---	PROPERTY LINE	---	---	SOUTH & EAST GUTTER	---
---	C.B. LEAD	---	---	ELEVATIONS	---	---	NORTH & WEST GUTTER	---
○	MANHOLE	○	---	TEST HOLE LOCATION	---	---	ASPH./CONC. PAD	---
□	CATCH BASIN	□	---	GARAGE DOOR LOCATION	---	---	GARAGE PAD	---
---	GAS	---	---		---	---		---

**LOCATION APPROVED UNDERGROUND STRUCTURES**

SUPV. U/G STRUCTURES DATE COMMITTEE

NOTE:  
LOCATION OF UNDERGROUND STRUCTURES AS SHOWN ARE BASED ON THE BEST INFORMATION AVAILABLE BUT NO GUARANTEE IS GIVEN THAT ALL EXISTING UTILITIES ARE SHOWN OR THAT THE GIVEN LOCATIONS ARE EXACT. CONFIRMATION OF EXISTENCE AND EXACT LOCATION OF ALL SERVICES MUST BE OBTAINED FROM THE INDIVIDUAL UTILITIES BEFORE PROCEEDING WITH CONSTRUCTION.

NO.	REVISIONS	DATE	BY
3	ADDENDUM 1 DRAWING	31/08/11	R.H.
2	TENDER DRAWING	19/08/11	R.H.
1	SUBMISSION	15/08/11	R.H.

**GENIVAR**  
10 PRAIRIE WAY WINNIPEG, MANITOBA R2J 3J8  
PH: (204)-233-2113 FAX: (204)-233-2080

DESIGNED BY: R.H. CHECKED BY: S.M.  
DRAWN BY: R.H. APPROVED BY: I.McK.  
HOR. SCALE: 1:250  
VERT. SCALE: 1:10  
DATE: AUGUST 2011  
RELEASED FOR CONSTRUCTION: NOT RELEASED

ENGINEERS SEAL  
CONSULTANT DRAWING NO. 111-21260-00-03

**THE CITY OF WINNIPEG**  
PUBLIC WORKS DEPARTMENT

**2011 LOCAL IMPROVEMENTS**  
SUNSET / GLENLAWN ALLEY  
FROM MATCHLINE AT STA. 3+15 TO EX. LANE AT STA. 4+54.52  
LANE PAVEMENT

CITY DRAWING NO. SHEET 3 OF 5  
699-2011

**APEGM**  
Certificate of Authorization  
Genivar Inc.  
No. 5079 Expiry: April 30, 2012