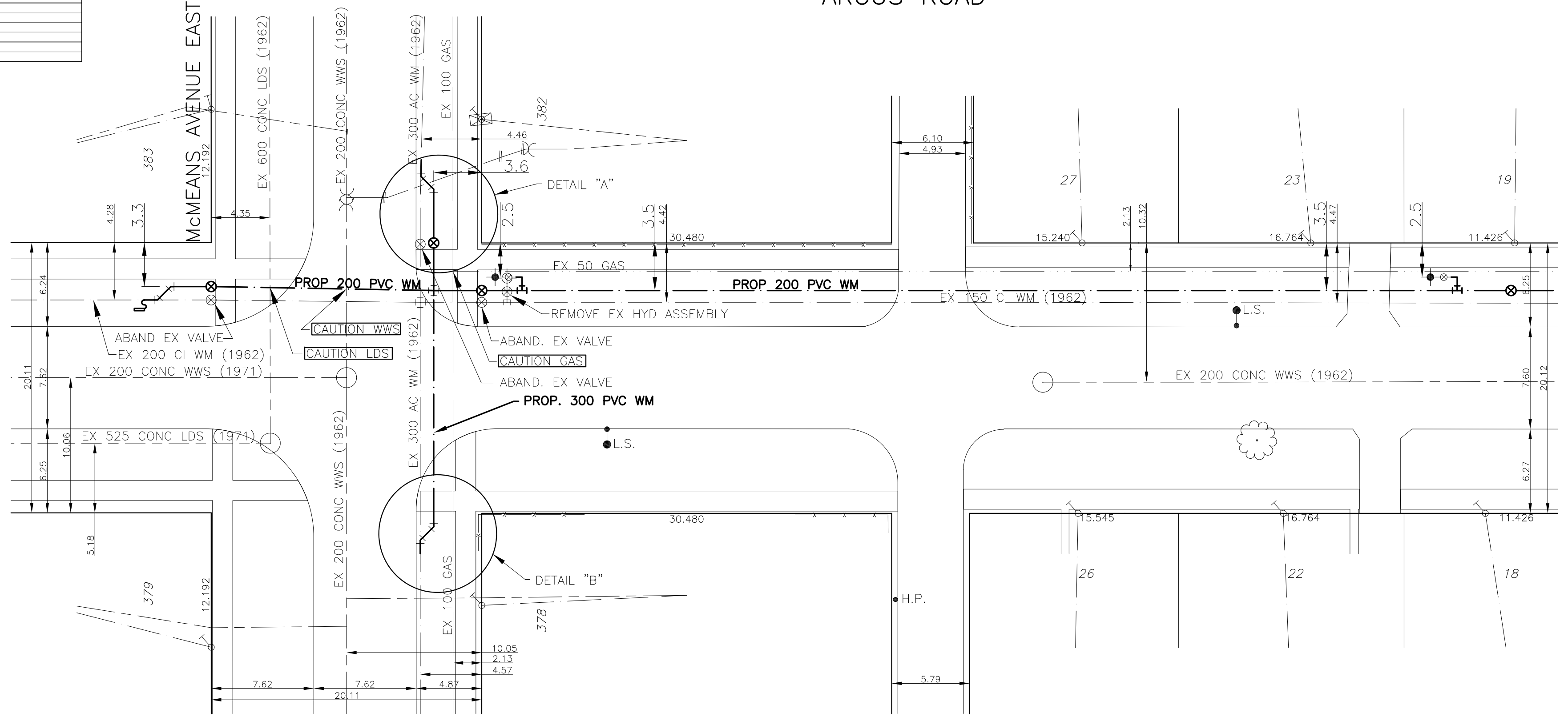


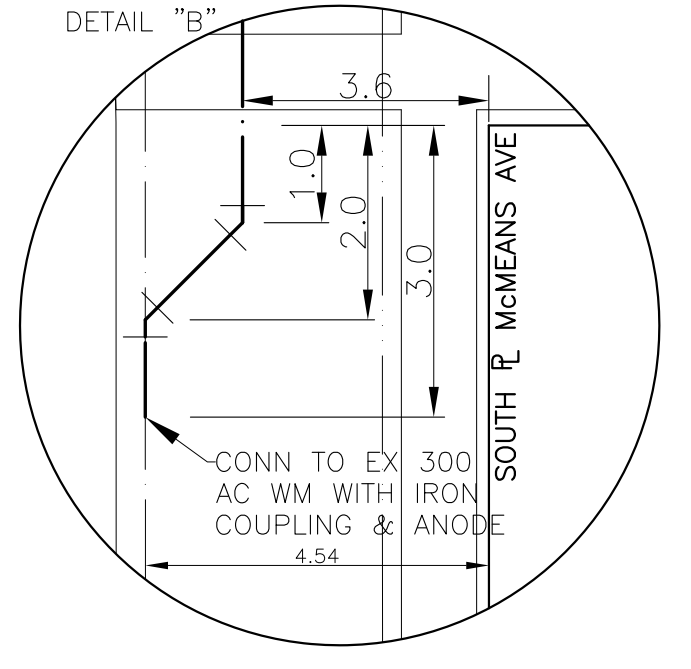
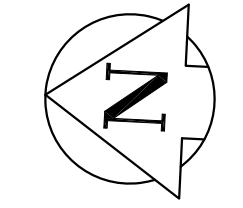
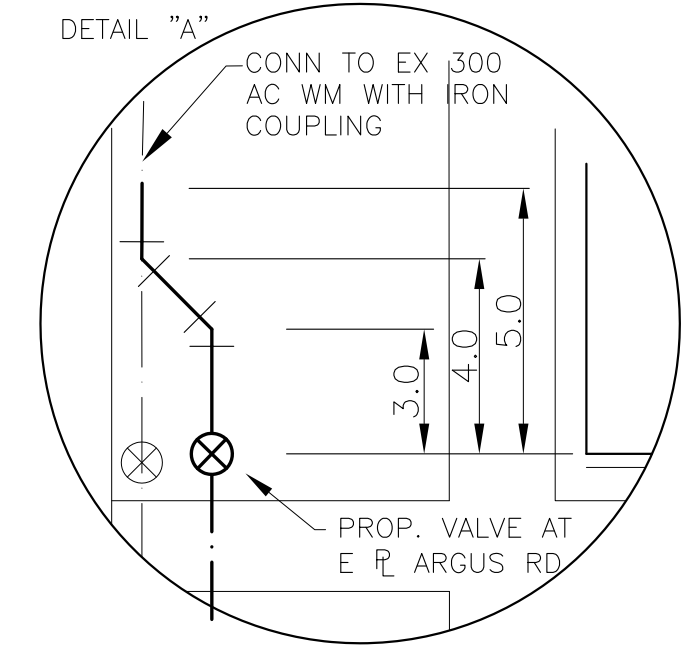
HOUSE WATER SERVICE INFORMATION				
ADDRESS & NATURE OF SERVICE	SIZE (mm) & TYPE	SHORT & LONG MEASUREMENT	CORP LOCATION	REMARKS
18 Argus Rd. Residential	19 Copper	10.3 N S PL		
19 Argus Rd. Residential	19 Copper	8.2 N S PL		
22 Argus Rd. Residential	19 Copper	8.6 N S PL		
23 Argus Rd. Residential	19 Copper	2.3 NB HOUSE LINE & 7 FR HOUSE RONT		
26 Argus Rd. Residential	19 Copper	8.1 SNHL		
27 Argus Rd. Residential	19 Copper	5.3 NB HOUSE LINE		

CHAINAGE ALONG EAST PROPERTY LINE OF ARGUS ROAD

ARGUS ROAD



- NOTES:**
- ALL GATE VALVES ARE COUNTER-CLOCKWISE TO OPEN WITH A BLACK OPERATING NUT.
 - WATERMAIN TO BE INSTALLED BY TRENCHLESS METHODS.
 - BACKFILL IS CLASS 5 WITHIN BOULEVARD AND CLASS 3 WHEN WITHIN 1.0m OF PAVEMENT OR SIDEWALK.
 - WATER SERVICES ARE 19mm UNLESS OTHERWISE NOTED.
 - MINIMUM COVER TO TOP OF WATERMAIN SHALL BE 2.4m.
 - LOCATION OF ALL SERVICES TO BE CONFIRMED IN FIELD.
 - EXPOSE EXISTING WATERMAIN TO CONFIRM DEPTH PRIOR TO CONSTRUCTION.
 - ALL LEAD SERVICES TO BE RENEWED TO PROPERTY LINE.
 - SERVICES TO BE RENEWED SHALL BE REPLACED FROM WATERMAIN TO PROPERTY LINE. ALL OTHERS TO BE RECONNECTED.



SEE DRAWING D-12164

METRIC
WHOLE NUMBERS INDICATE MILLIMETRES
DECIMALIZED NUMBERS INDICATE METRES



EXISTING	LEGEND - PLAN	PROPOSED	EXISTING	LEGEND - PLAN	PROPOSED	EXISTING	LEGEND - PROFILE	PROPOSED
	WATERMAIN			REDUCER			WATERMAIN	
	HYDRANT			PLUG			LAND DRAINAGE SEWER	
	VALVE			TRAFFIC SIGNAL			WASTE WATER SEWER	
	LAND DRAINAGE SEWER			HYDRO			JUNCTIONS	
	WASTE WATER SEWER			M.T.S.			CULVERT	
	MANHOLE			C.B. LEAD			TREE	
	CATCH BASIN			H.P.			LAMP STANDARD	
	CURB STOP			L.S.				
	TEE							
	BEND							
	ANODE							

LOCATION APPROVED

SUPV. U/G STRUCTURES DATE COMMITTEE

NOTE:
LOCATION OF UNDERGROUND STRUCTURES AS SHOWN ARE BASED ON THE BEST INFORMATION AVAILABLE BUT NO GUARANTEE IS GIVEN THAT ALL EXISTING UTILITIES ARE SHOWN OR THAT THE GIVEN LOCATIONS ARE EXACT. CONFIRMATION OF EXISTENCE AND EXACT LOCATION OF ALL SERVICES MUST BE OBTAINED FROM THE INDIVIDUAL UTILITIES BEFORE PROCEEDING WITH CONSTRUCTION.

NO.	REVISIONS	DATE	BY

GENIVAR
10 PRABE WAY WINNIPEG, MANITOBA R2J 3J8
PH: (204)-477-6650 FAX: (204)-474-2864

DESIGNED BY: LV/PR	CHECKED BY: SM
DRAWN BY: LV	APPROVED BY: IMcK
HOR. SCALE: 1:250	RELEASED FOR CONSTRUCTION: MARCH 7, 2011
VERT. SCALE: 1:50	ORIGINALLY SIGNED BY: K. ZUREK P. ENG.

ENGINEERS' SEAL

CONSULTANT DRAWING NO. 010-050-01

Winnipeg

THE CITY OF WINNIPEG
WATER AND WASTE DEPARTMENT

2011 CAPITAL WORKS
WATERMAIN RENEWALS
ARGUS ROAD

McMEANS AVENUE EAST TO
80M SOUTH OF McMEANS AVENUE EAST

SHEET 1 OF 2
CITY DRAWING NO. D-12163-R1