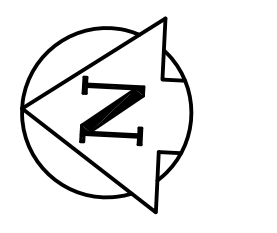
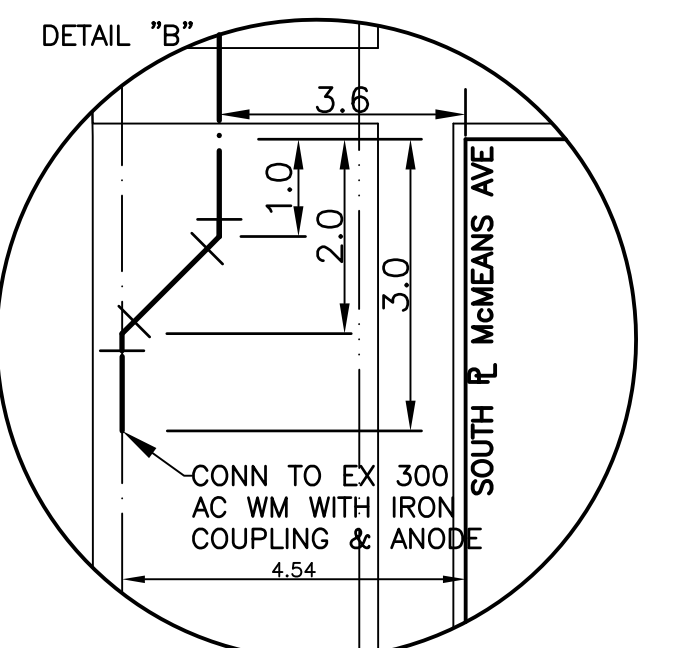
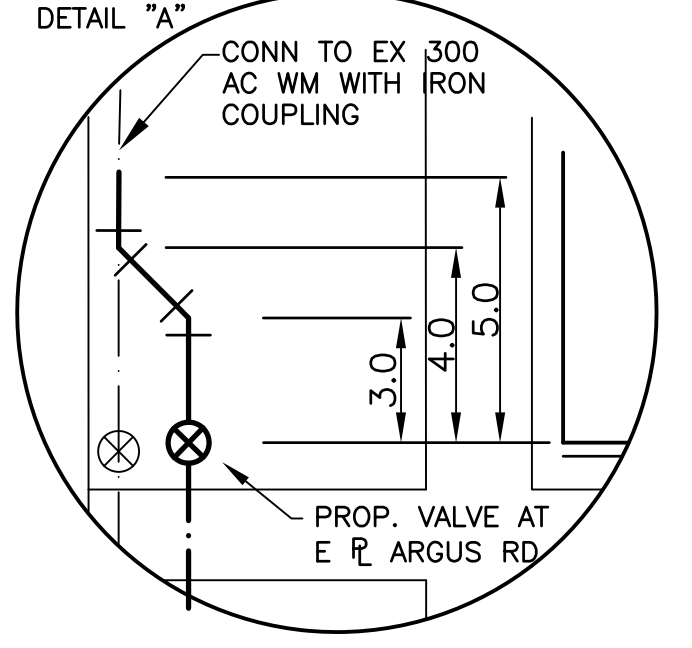
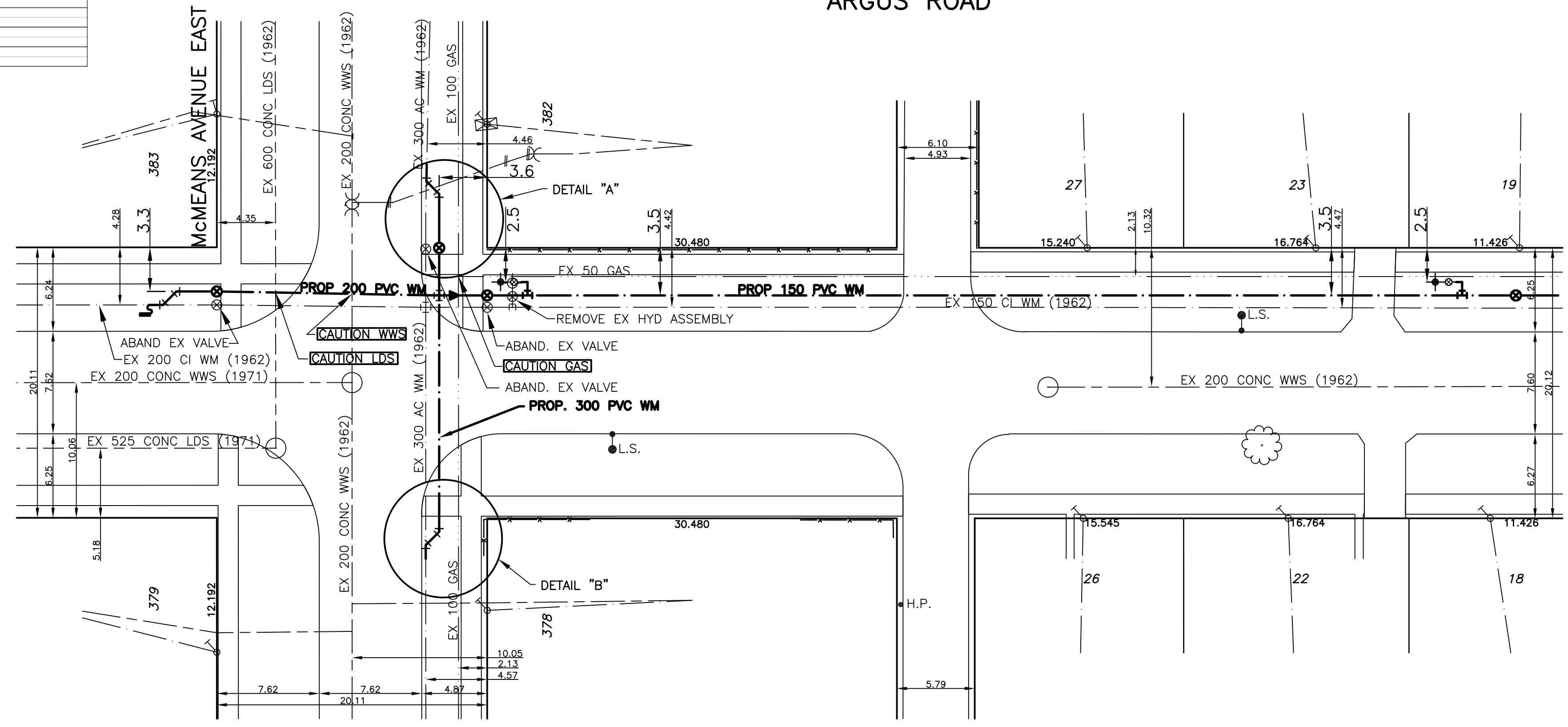


HOUSE WATER SERVICE INFORMATION				
ADDRESS & NATURE OF SERVICE	SIZE (mm) & TYPE	SHORT & LONG MEASUREMENT	CORP LOCATION	REMARKS
18 Argus Rd Residential	19 Copper	10.3 N S PL		
19 Argus Rd Residential	19 Copper	8.2 N S PL		
22 Argus Rd Residential	19 Copper	9.6 N S PL		
23 Argus Rd Residential	19 Copper	2.3 NS HOUSE LINE		
26 Argus Rd Residential	19 Copper	6.7 FR HOUSE FRONT		
27 Argus Rd Residential	19 Copper	5.3 NS HOUSE LINE		

CHAINAGE ALONG EAST PROPERTY LINE OF ARGUS ROAD

ARGUS ROAD

- NOTES:**
- ALL GATE VALVES ARE COUNTER-CLOCKWISE TO OPEN WITH A BLACK OPERATING NUT.
  - WATERMAIN TO BE INSTALLED BY TRENCHLESS METHODS.
  - BACKFILL IS CLASS 5 WITHIN BOULEVARD AND CLASS 3 WHEN WITHIN 1.0m OF PAVEMENT OR SIDEWALK.
  - WATER SERVICES ARE 19mm UNLESS OTHERWISE NOTED.
  - MINIMUM COVER TO TOP OF WATERMAIN SHALL BE 2.4m.
  - LOCATION OF ALL SERVICES TO BE CONFIRMED IN FIELD.
  - EXPOSE EXISTING WATERMAIN TO CONFIRM DEPTH PRIOR TO CONSTRUCTION.
  - ALL LEAD SERVICES TO BE RENEWED TO PROPERTY LINE.
  - SERVICES TO BE RENEWED SHALL BE REPLACED FROM WATERMAIN TO PROPERTY LINE. ALL OTHERS TO BE RECONNECTED.



SEE DRAWING D-12164

METRIC  
WHOLE NUMBERS INDICATE MILLIMETRES  
DECIMALIZED NUMBERS INDICATE METRES



EXISTING	LEGEND - PLAN	PROPOSED	EXISTING	LEGEND - PLAN	PROPOSED	EXISTING	LEGEND - PROFILE	PROPOSED
---	WATERMAIN	---	---	REDUCER	---	---	WATERMAIN	---
+	HYDRANT VALVE	+	---	PLUG	---	---	VALVE	---
---	LAND DRAINAGE SEWER	---	---	TRAFFIC SIGNAL	---	---	LAND DRAINAGE SEWER	---
---	WASTE WATER SEWER	---	---	GAS	---	---	WASTE WATER SEWER	---
○	MANHOLE	○	---	HYDRO	---	---	JUNCTIONS	---
□	CATCH BASIN	□	---	M.T.S.	---	---	CULVERT	---
⊕	CURB STOP	⊕	---	C.B. LEAD	---	---		---
⊕	TEE	⊕	---	SURVEY BAR	---	---		---
⊕	BEND	⊕	---	TREE	---	---		---
⊕	ANODE	⊕	---	HYDRO POLE	---	---		---
---		---	---	LAMP STANDARD	---	---		---
---		---	---		---	---		---

NO.	REVISIONS	DATE	BY

**GENIVAR**  
10 PRAIRIE WAY WINNIPEG, MANITOBA R2J 3J8  
PH: (204)-477-6650 FAX: (204)-474-2864

DESIGNED BY: LV/PR  
DRAWN BY: LV  
HOR. SCALE: 1:250  
VERT. SCALE: 1:50  
DATE: JULY 2010

CHECKED BY: SM  
APPROVED BY: IMcK  
RELEASED FOR CONSTRUCTION  
DATE: \_\_\_\_\_

ENGINEERS SEAL  
PROVINCE OF MANITOBA  
REGISTERED PROFESSIONAL ENGINEER  
I. G. MCKINNON  
CONSULTANT DRAWING NO. 010-050-01

THE CITY OF WINNIPEG  
WATER AND WASTE DEPARTMENT

2010 CAPITAL WORKS  
WATERMAIN RENEWALS  
ARGUS ROAD  
McMEANS AVENUE EAST TO  
80M SOUTH OF McMEANS AVENUE EAST

SHEET 1 OF 2  
CITY DRAWING NO.  
D-12163

ACAD 2007