

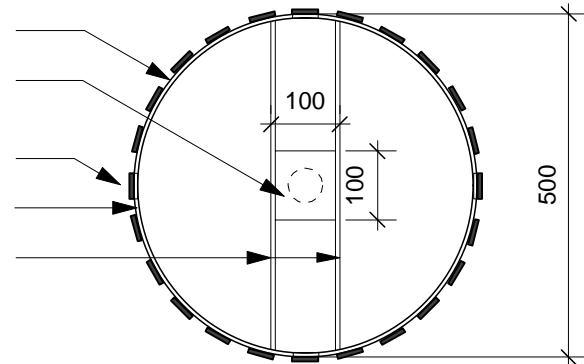
Drawing Title:

WASTE RECEPTACLE METAL SLAT TYPE

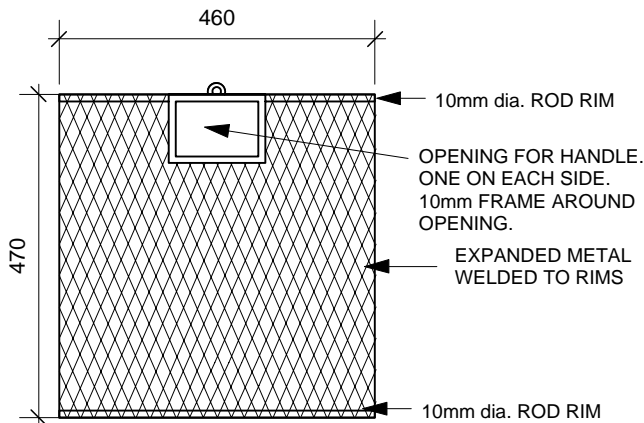
Drawing No:

SCD-119

- 38mm x 6mm FLAT IRON (4 REQ'D) VERTICALS
- 13mm PLATE WELDED TO 51mm I.D. STANDARD PIPE LEG
- WELD 24 EQUALLY SPACED 6mm x 38mm (1/4" x 1 1/2") FLAT BARS
- 38mm x 6mm x 500mm O.D. HOOPS
- 2-38mm x 6mm FLAT IRON



PLAN



WIRE BASKET:

Black Finish: Product # 52501058
Galvanized Finish: Product #52501058GLV

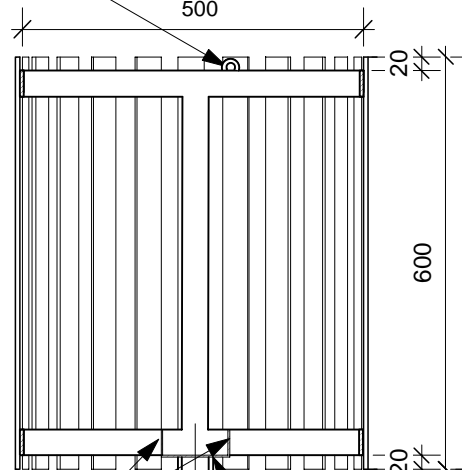
NOTE FOR BLACK FINISH:

- POWDERCOATED - METAL SUITABLY CLEANED TO REMOVE ANY GREASE, WAX, ETC. FOR PROPER PAINT BONDING TO OCCUR. BASE COAT ZINC RICH PRIMER. BAKED WITH A FINAL THICKNESS OF PAINT BETWEEN 5-8 MIL.

NOTE FOR GALVANIZED FINISH:

- METAL TO BE HOT DIPPED GALVANIZED.

16mm I.D. LOOP OF
10mm dia. ROD WELDED
TO TAKE PADLOCK



CROSS SECTION

2.6 x 38mm FLAT IRON
150 LONG, 3mm WALL THICKNESS, PIPE SLEEVE WELDED TO BOTTOM PIPE

6mm
ALLAN SCREW
51mm I.D. S.T.D PIPE

CONCRETE BASE

Metal Slat WR:

Black Finish: Product # 52501062
Galvanized Finish: Product # 52501062GLV

DIMENSIONS SHOWN ARE IN MILLIMETRES UNLESS OTHERWISE SPECIFIED

REVISION: 1
DATE: January 12, 2012
SCALE: N.T.S.
DRAWN BY: SP

The City of Winnipeg
Planning, Property and Development Department
Planning and Land Use Division
Unit 15 - 30 Fort Street, Winnipeg, MB, R3C 4X5

