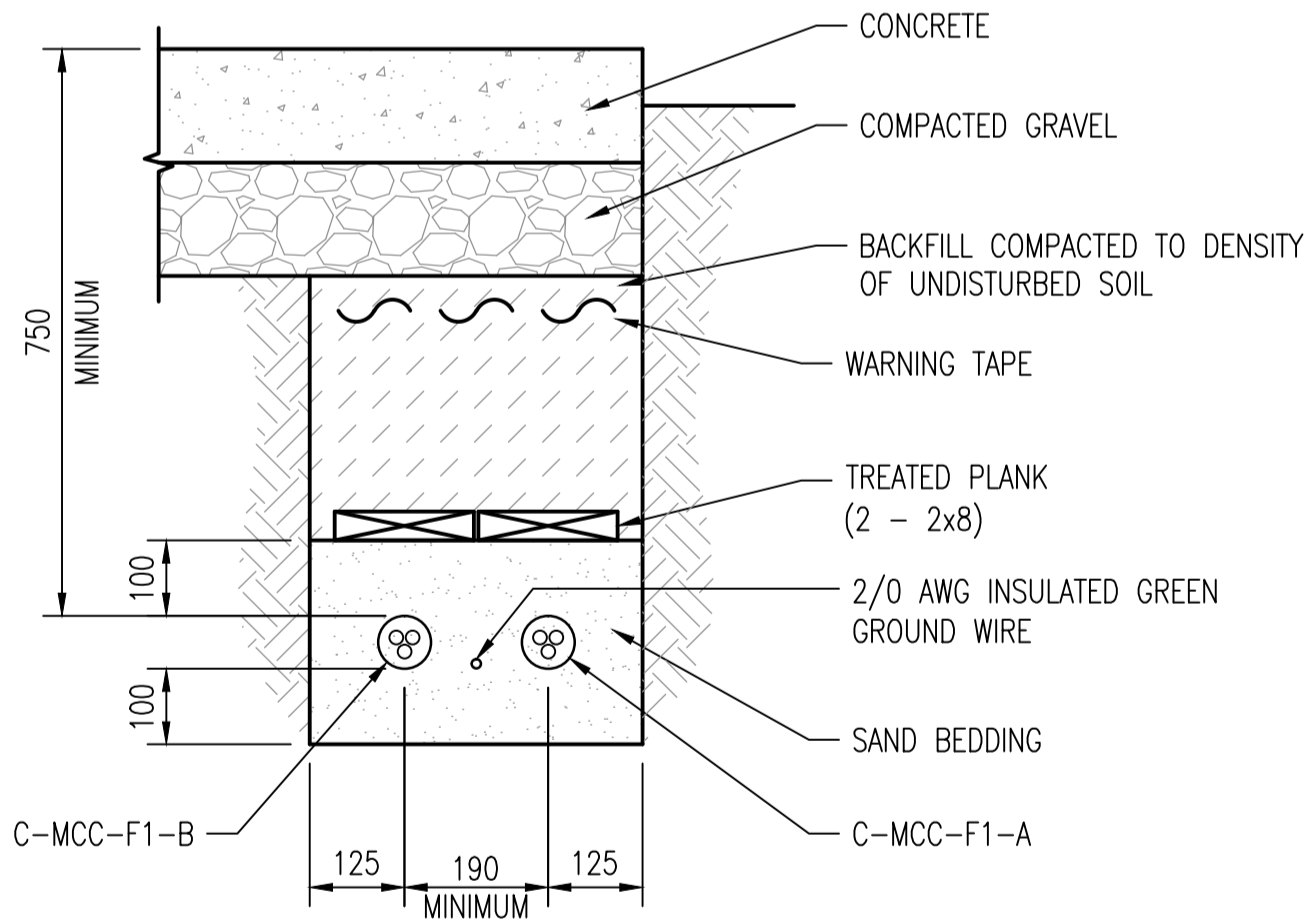


ELECTRICAL PLAN LAYOUT - CABLE ROUTING DETAIL

SCALE: 1 : 100

INSTALLATION NOTES:

- ① INSTALL NEW DIRECT BURIED FEEDER CABLES BETWEEN MCC-F1 IN ELECTRICAL ROOM AND THE LIFT STATION.
- ② INSTALL NEW 53mm SPARE PVC DUCT BETWEEN THE ELECTRICAL ROOM AND THE LIFT STATION BUILDING. ENTRY AND EXIT POINTS TO BE ABOVE GRADE AND UTILIZE A 53mm PVC LB. UTILIZE MINIMUM 607mm RADIUS ELBOW AT ALL 90° INTERSECTIONS.
- ③ ARRANGE FOR INSPECTION BY THE CONTRACT ADMINISTRATOR PRIOR TO COVERING CABLES. INSPECTION TO OCCUR WITH BASE SAND AND CABLES INSTALLED AND 3m OF TRENCH WITH COVER SAND AND PLANKS IN PLACE, BUT NOT BACKFILLED.
- ④ TAKE CARE AND PROTECT THE EXISTING CABLE TO THE LIFT STATION DURING EXCAVATION. HAND DIG OR HYDROVAC WITHIN 3m OF CABLE LOCATION.
- ⑤ REPLACE ALL CUT CONCRETE WITH REINFORCED CONCRETE.



DETAIL 1: TRENCH LAYOUT - CSTE TO ELECTRICAL ROOM

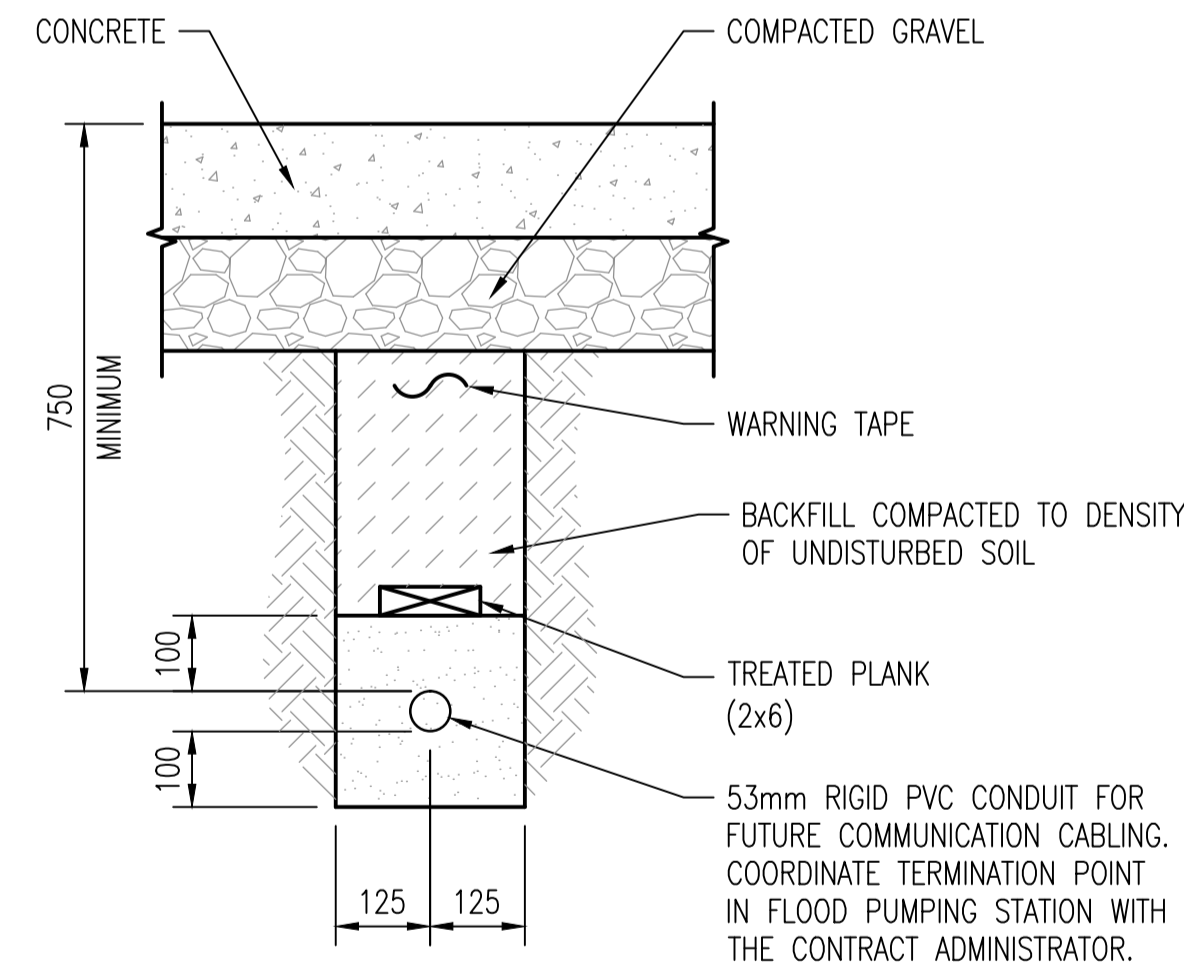
SCALE: 1 : 10

UNDERGROUND CONDUCTORS

CIRCUIT I.D. C-MCC-F1
 YEAR INSTALLED 2011
 DIAGRAM B4-3 DETAIL 2 TABLE D12B
 SIZE/TYPE OF CONDUCTOR 2-3C, 500 MCM, TECK 90
 AMPACITY 920 MAX. OVERCURRENT 800

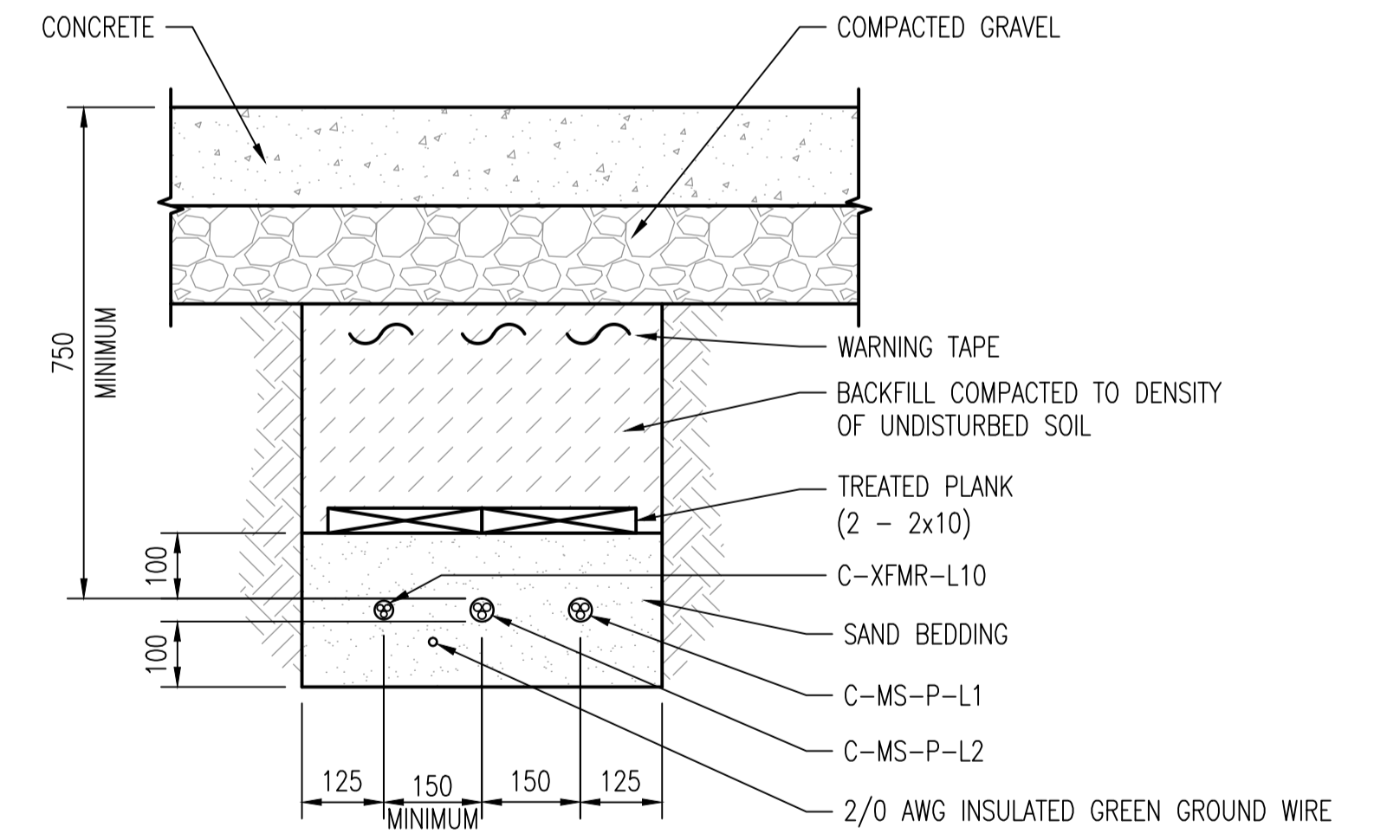
DETAIL 2: C-MCC-F1 LAMACOID

SCALE: NTS



DETAIL 3: TRENCH LAYOUT - ELECTRICAL ROOM TO LIFT STATION

SCALE: 1 : 10



DETAIL 4: TRENCH LAYOUT - ELECTRICAL ROOM TO LIFT STATION

SCALE: 1 : 10

NOTES:

1. SUPPLY AND INSTALL C-MCC-F1 LAMACOID ON THE CSTE'S BOTTOM RIGHT COMPARTMENT COVER.
2. THE CABLE ROUTING DETAIL IS NOT EXACTLY TO SCALE. SITE CONFIRM ALL MEASUREMENTS.



NO.	REVISIONS	DATE	DESIGN	CHECK
00	ISSUED FOR TENDER, BID OPP. 774-2011	2011/11/10	VE	CJR

SNC-LAVALIN INC. 148 Nature Park Way Winnipeg, MB, Canada R3P 0X7 204-798-8080	
DESIGNED BY: V. ELIMBAN	CHECKED BY: C. REIMER
DRAWN BY: S. FUNK	APPROVED BY: C. REIMER
SCALE: AS SHOWN	RELEASED FOR CONSTRUCTION BY: V. JEANCART
DATE: 2011/05/17	DATE: 2011/11/15
CONSULTANT NO.: 505581-0000-47DD-0101	

ENGINEER'S SEAL
 ORIGINAL DRAWING
 SEALED BY:
 C. J. REIMER
 SNC-LAVALIN INC.
 MEMBER #21968
 2011/11/15
 REV. 00

THE CITY OF WINNIPEG
 WATER AND WASTE DEPARTMENT

MAGER DRIVE FLOOD AND WASTEWATER PUMPING STATIONS

ELECTRICAL DETAILS
 CABLE ROUTING

CITY DRAWING NUMBER 1-0157A-E0004	SHEET 001	REV. 00	SIZE A1
---	---------------------	-------------------	-------------------

DRAWING NUMBER	REFERENCE DRAWINGS
----------------	--------------------