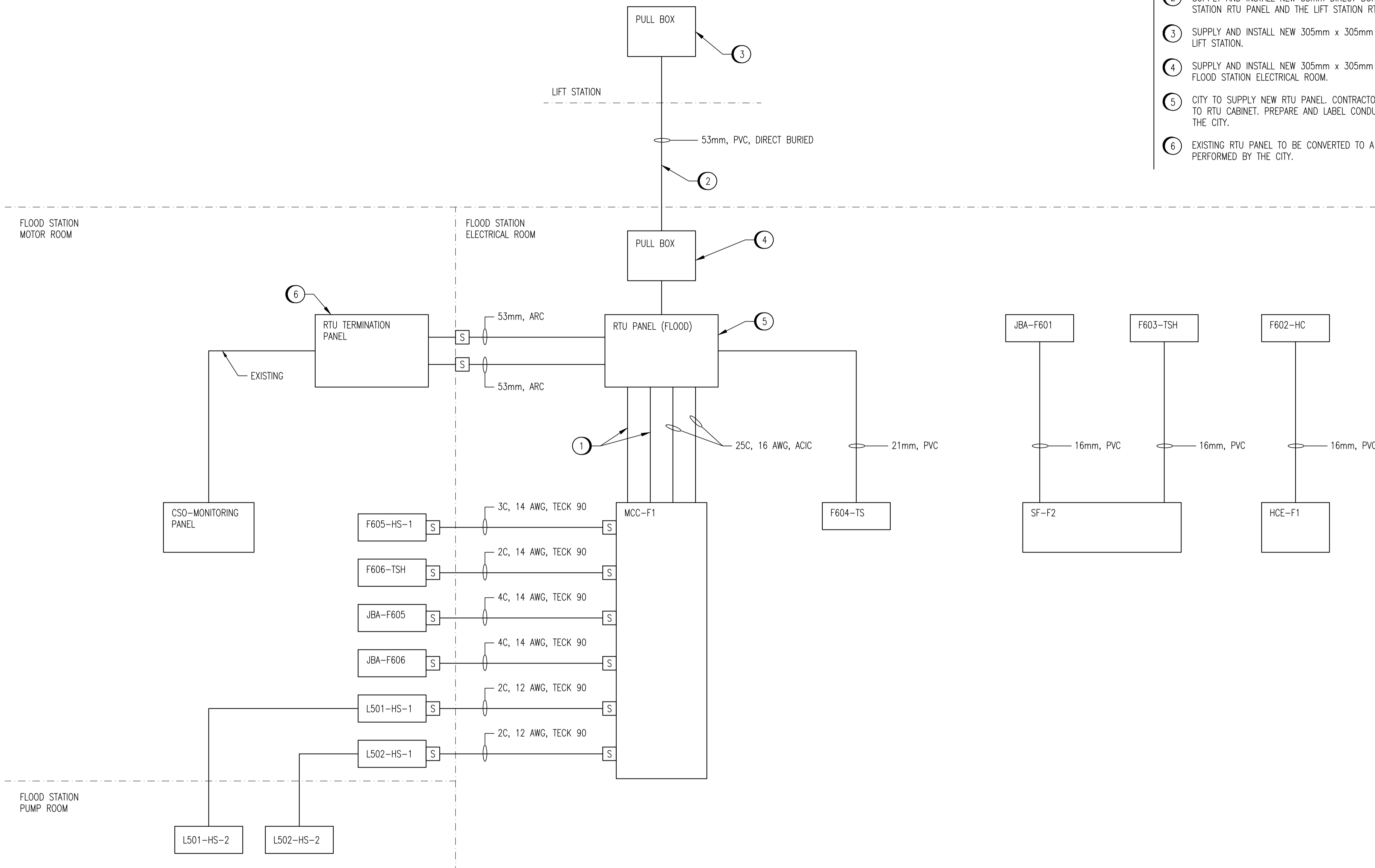


LEGEND:

- ARC ALUMINUM RIGID CONDUIT
- PVC POLYVINYL CHLORIDE
- S HAZARDOUS RATED SEAL

CONSTRUCTION NOTES:

- 1 SUPPLY AND INSTALL NEW 41mm PVC CONDUITS BETWEEN THE RTU PANEL AND MCC-F1. TERMINATE ONE CONDUIT AT THE LEFT-MOST SECTION AND ONE CONDUIT AT THE RIGHT-MOST SECTION OF MCC-F1.
- 2 SUPPLY AND INSTALL NEW 53mm DIRECT BURIED PVC CONDUIT BETWEEN THE FLOOD STATION RTU PANEL AND THE LIFT STATION RTU PANEL.
- 3 SUPPLY AND INSTALL NEW 305mm x 305mm x 152mm NEMA TYPE 12 PULL BOX IN THE LIFT STATION.
- 4 SUPPLY AND INSTALL NEW 305mm x 305mm x 152mm NEMA TYPE 12 PULL BOX IN THE FLOOD STATION ELECTRICAL ROOM.
- 5 CITY TO SUPPLY NEW RTU PANEL. CONTRACTOR TO CONNECT CONDUIT TO, AND PULL WIRE TO RTU CABINET. PREPARE AND LABEL CONDUCTORS. ALL FINAL TERMINATIONS WILL BE BY THE CITY.
- 6 EXISTING RTU PANEL TO BE CONVERTED TO A TERMINATION PANEL. CONVERSION TO BE PERFORMED BY THE CITY.



AUTOMATION CONDUIT & CABLE RISER DIAGRAM
SCALE: NTS

NOTES:

1. ELECTRICAL POWER CONDUITS NOT SHOWN.



NO.	REVISIONS	DATE	DESIGN	CHECK
00	ISSUED FOR TENDER, BID OPP. 774-2011	2011/11/10	VE	CJR

SNC-LAVALIN INC. 148 Nature Park Way Winnipeg, MB, Canada R3P 0X7 204-798-8080	
DESIGNED BY: V. ELIMBAN	CHECKED BY: C. REIMER
DRAWN BY: S. FUNK	APPROVED BY: C. REIMER
SCALE: NTS	RELEASED FOR CONSTRUCTION BY: V. JEANCART
DATE: 2011/06/13	DATE: 2011/11/15
CONSULTANT NO.: 505581-0000-48DD-0107	

ENGINEER'S SEAL

ORIGINAL DRAWING
SEALED BY:
C. J. REIMER
SNC-LAVALIN INC.
MEMBER #21968
2011/11/15
REV. 00

THE CITY OF WINNIPEG
WATER AND WASTE DEPARTMENT

MAGER DRIVE FLOOD PUMPING STATION
AUTOMATION CONDUIT & CABLE RISER DIAGRAM

CITY DRAWING NUMBER 1-0157F-A0007	SHEET 001	REV. 00	SIZE A1
---	---------------------	-------------------	-------------------