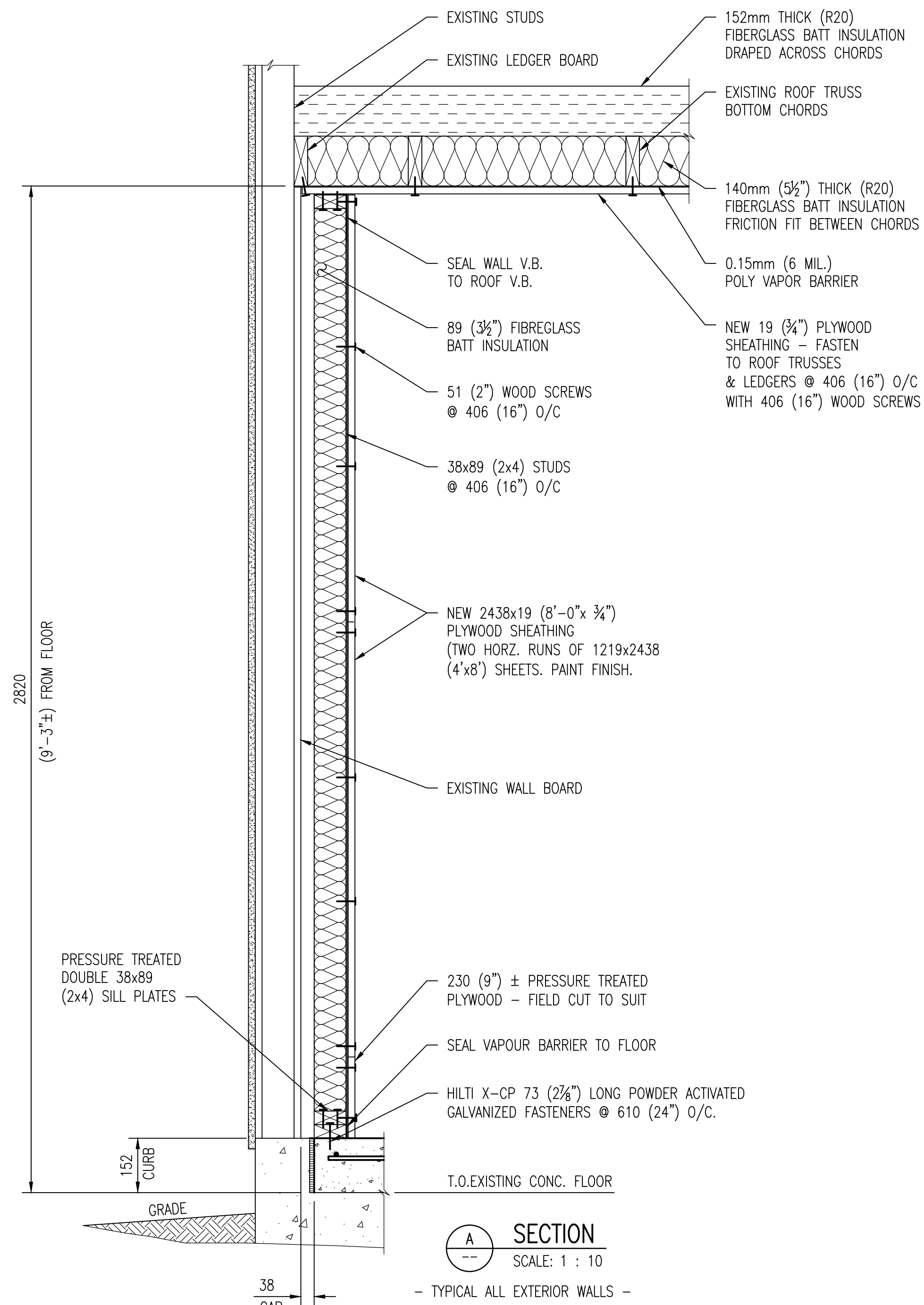
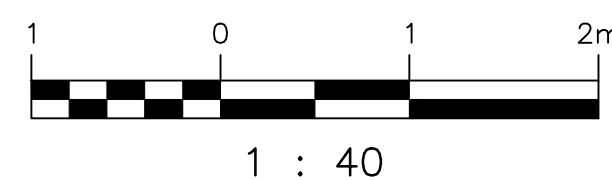
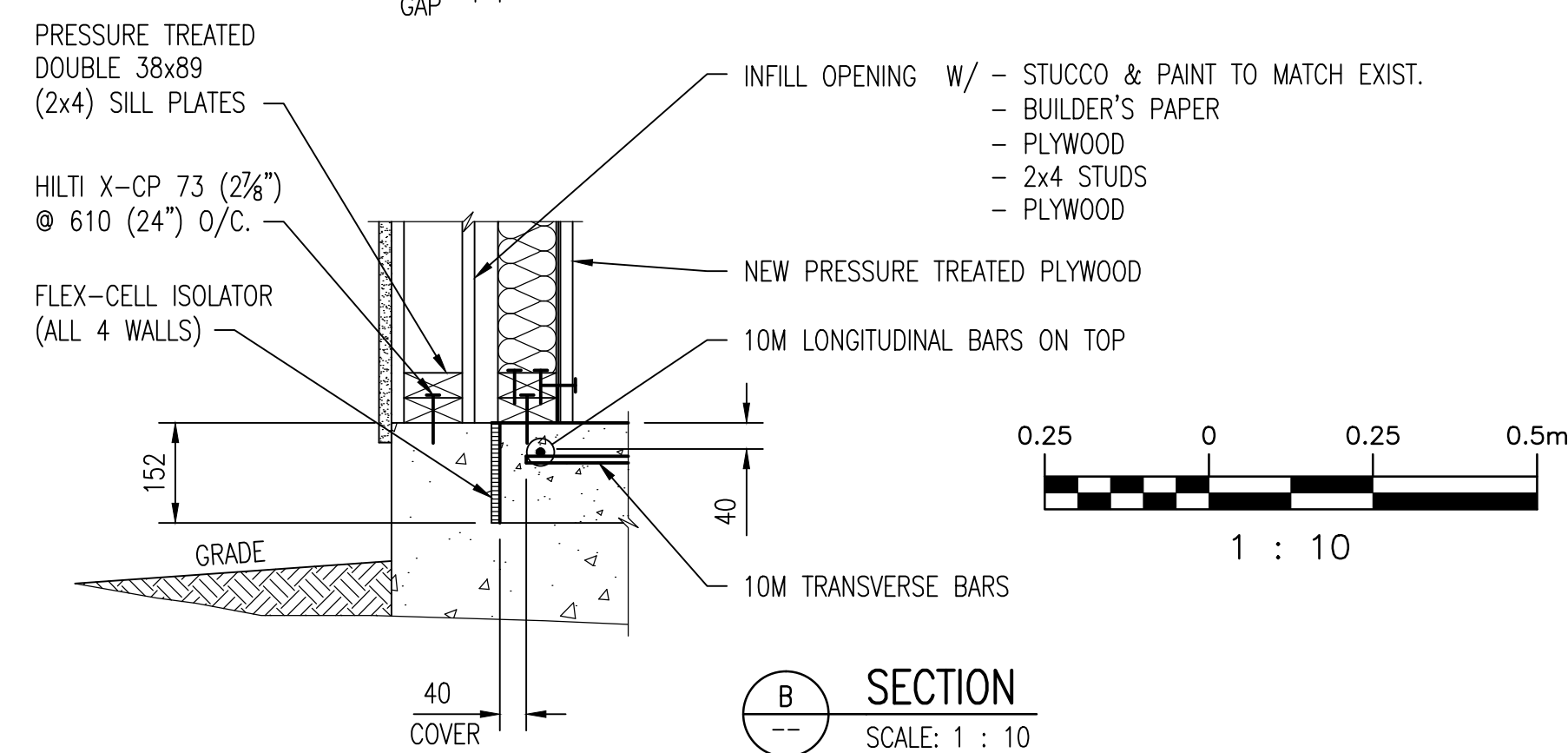


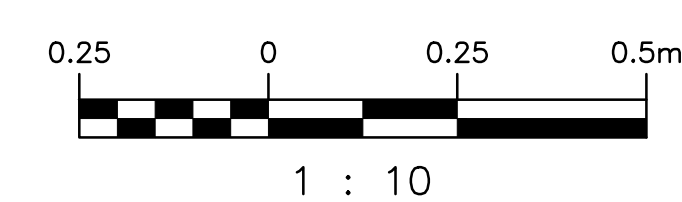
PLAN
SCALE: 1 : 40



SECTION A
SCALE: 1 : 10
- TYPICAL ALL EXTERIOR WALLS -



SECTION B
SCALE: 1 : 10



GENERAL NOTES:

1. ALL WORK TO BE PERFORMED IN ACCORDANCE WITH THE SPECIFICATIONS.

DEMOLITION NOTES:

- A REMOVE ALL EXISTING ELECTRICAL CONDUITS, WIRES, AND FIXTURES.
- B REMOVE EXISTING MANDOR AND FRAME. REMOVE EXISTING DOUBLE DOORS AND FRAME.
- C REMOVE EXISTING LOUVRES AND FRAMES.

CONCRETE NOTES:

- 1 INFILL NEW SLAB FLUSH WITH EXISTING TOP OF CURB.
- 2 REINFORCE WITH 10M DEFORMED STEEL BARS AS SHOWN. BARS TO BE CSA G30.18 GRADE 400. LAP BARS MIN. 610mm.
- 3 ALL REINFORCING SHALL BE HELD IN PLACE AND TIED BY THE USE OF PROPER ACCESSORIES. ALL REINFORCING SHALL BE CLEANED OF ALL DIRT, GREASE, AND OTHER DELETERIOUS MATERIALS.
- 4 CONCRETE USED SHALL BE:
COMPRESSIVE STRENGTH = 30MPa @ 28 DAYS
SLUMP = 80mm ± 20mm
MAX. AGGREGATE SIZE = 20mm
ENTRAINED AIR = 5% ± 1%
- 5 USE OF ADDITIVES PROHIBITED WITHOUT PRIOR WRITTEN APPROVAL BY CONTRACT ADMINISTRATOR.
- 6 CONCRETE TO BE MIXED, PLACED, AND TESTED ACCORDING TO CSA A23.1, A23.2, & CITY OF WINNIPEG STANDARD CW3310 REINFORCEMENT TO BE IN ACCORDANCE WITH CSA A23.1 & A23.3.
- 7 CONCRETE TO BE SMOOTH TROWELLED FINISH, SUITABLE FOR AN INDUSTRIAL SLAB.

INSTALLATION NOTES:

- 1 INSULATE, VAPOUR BARRIER, AND SHEET CEILING AS SHOWN. PAINT CEILING.
- 2 FILL EXTERIOR CRACK ON SOUTHWEST CORNER WITH STUCCO. USE FOAM BACKER AS REQUIRED. PAINT TO MATCH EXISTING.
- 3 INSTALL NEW PERFINISHED INSULATED STEEL MANDOR. C/W KNOBS AND DEADBOLT AS PER SPECIFICATIONS.
- 4 INFILL DOUBLE DOOR OPENING WITH WOOD STUDS & SHEETING BOTH SIDES. THICKNESS TO MATCH EXISTING. STUCCO FINISH EXTERIOR TO MATCH EXISTING AND PAINT TO MATCH EXISTING.
- 5 INFILL LOUVRE OPENINGS SAME AS DOUBLE DOOR OPENING.
- 6 STUD, INSULATE, VAPOUR BARRIER, AND SHEET ALL FOUR WALLS OF VAULT AS SHOWN. PAINT WALLS.
- 7 VAPOUR BARRIER TO BE SEALED AT ALL WALL/ROOF AND WALL/WALL INTERSECTIONS. SEAL AT ALL PENETRATIONS, OPENINGS, AND TO FLOOR SLAB.
- 8 ALL STUDS USED TO BE SPF #1/2. USE PRESSURE TREATED DOUBLE SILL PLATES WHERE IN CONTACT WITH CONCRETE. SHEETING TO BE CSP OR DFP.
- 9 FASTENERS TO BE YELLOW ZINC FINISH EXCEPT THOSE USED IN PRESSURE TREATED WOOD. P.T. WOOD USE HOT DIP GALVANIZED OR AS RECOMMENDED BY P.T. MANUFACTURER.
- 10 ALL FRAMING TO BE COMPLETED IN ACCORDANCE WITH PART 9 OF NBC AND CAN/CSA-086.
- 11 COLOUR SELECTIONS OF PAINT AND DOORS/TRIMS AS PER SPECIFICATIONS OR AS DIRECTED BY CONTRACT ADMINISTRATOR.

DRAWING NUMBER	REFERENCE DRAWINGS
----------------	--------------------



00	ISSUED FOR TENDER, BID OPP. 774-2011	2011/11/16	KK	RB
NO.	REVISIONS	DATE	DESIGN	CHECK

		SNC-LAVALIN INC. 148 Nature Park Way Winnipeg, MB, Canada R3P 0X7 204-796-8080	
DESIGNED BY:	K. KOTYK	CHECKED BY:	R. BEAN
DRAWN BY:	B. DICKSON	APPROVED BY:	C. REIMER
SCALE:	AS SHOWN	RELEASED FOR CONSTRUCTION BY:	V. JEANCART
DATE:	2011/04/13	DATE:	2011/11/17
CONSULTANT NO.:	505581-0000-42DD-0101		

ENGINEER'S SEAL
ORIGINAL DRAWING SEALED BY:
K. K. KOTYK
SNC-LAVALIN INC.
MEMBER #21950
2011/11/17
REV. 00

THE CITY OF WINNIPEG WATER AND WASTE DEPARTMENT			
MAGER DRIVE FLOOD PUMPING STATION BUILDING PLAN LAYOUT & SECTIONS ELECTRICAL ROOM			
CITY DRAWING NUMBER	SHEET	REV.	SIZE
1-0157F-B0001	001	00	A1