

CODE ANALYSIS:

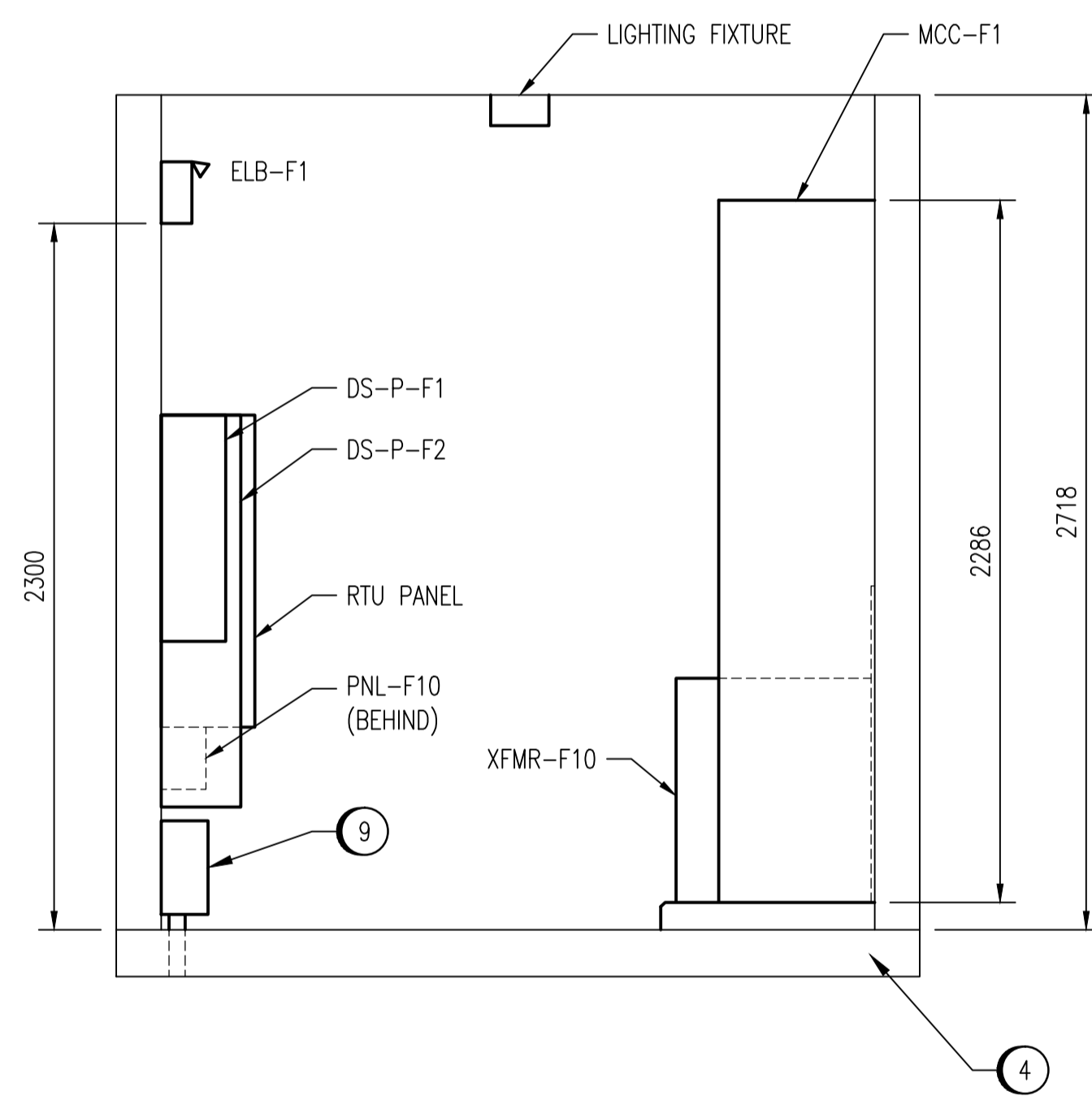
1. THIS SPACE IS AN ELECTRICALLY UNCLASSIFIED LOCATION AS IT IS SEPARATED FROM THE REMAINDER OF THE FLOOD STATION AND WILL BE PROVIDED WITH CONTINUOUS POSITIVE PRESSURE VENTILATION.

LEGEND:

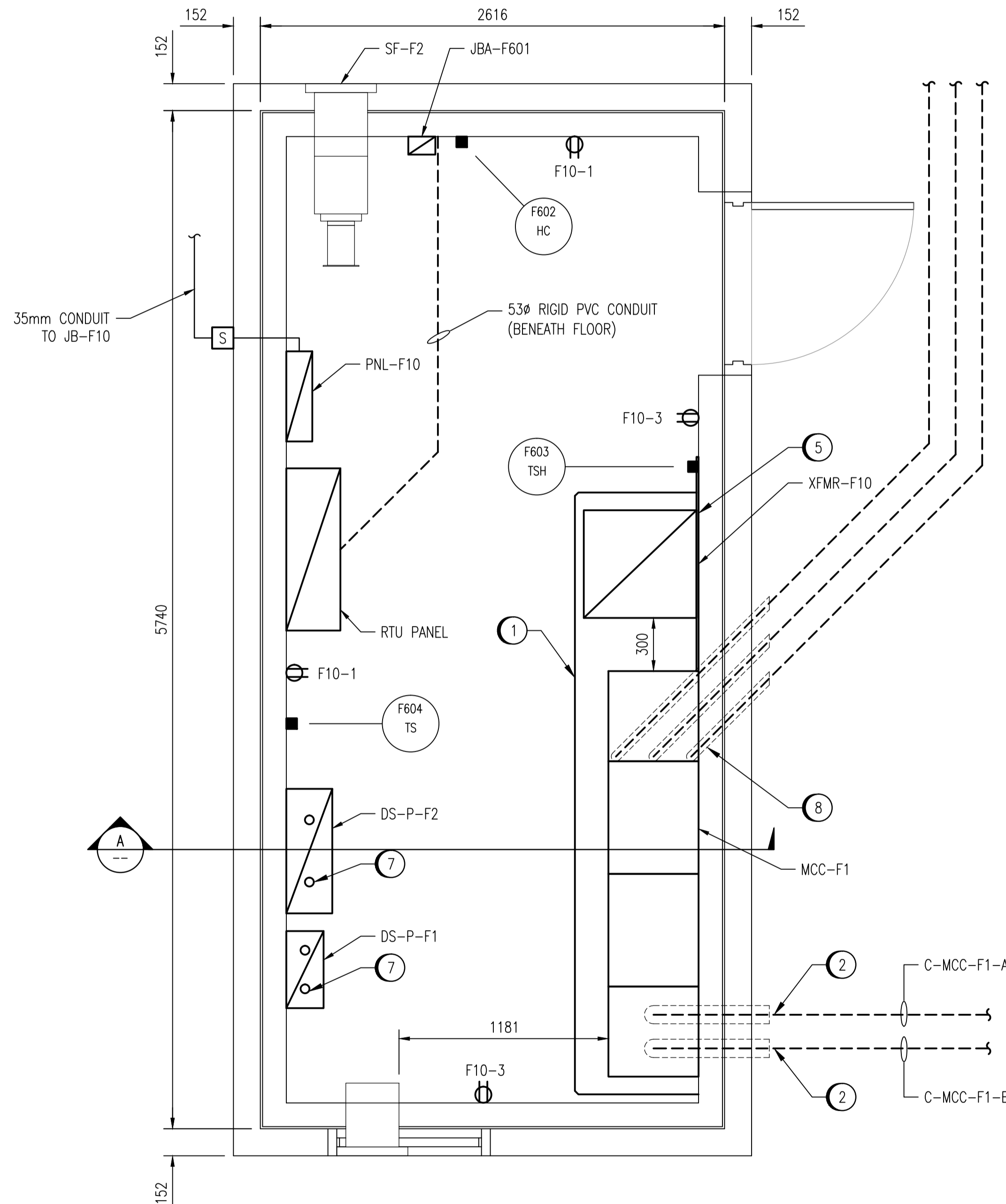
S HAZARDOUS CONDUIT SEAL

INSTALLATION NOTES:

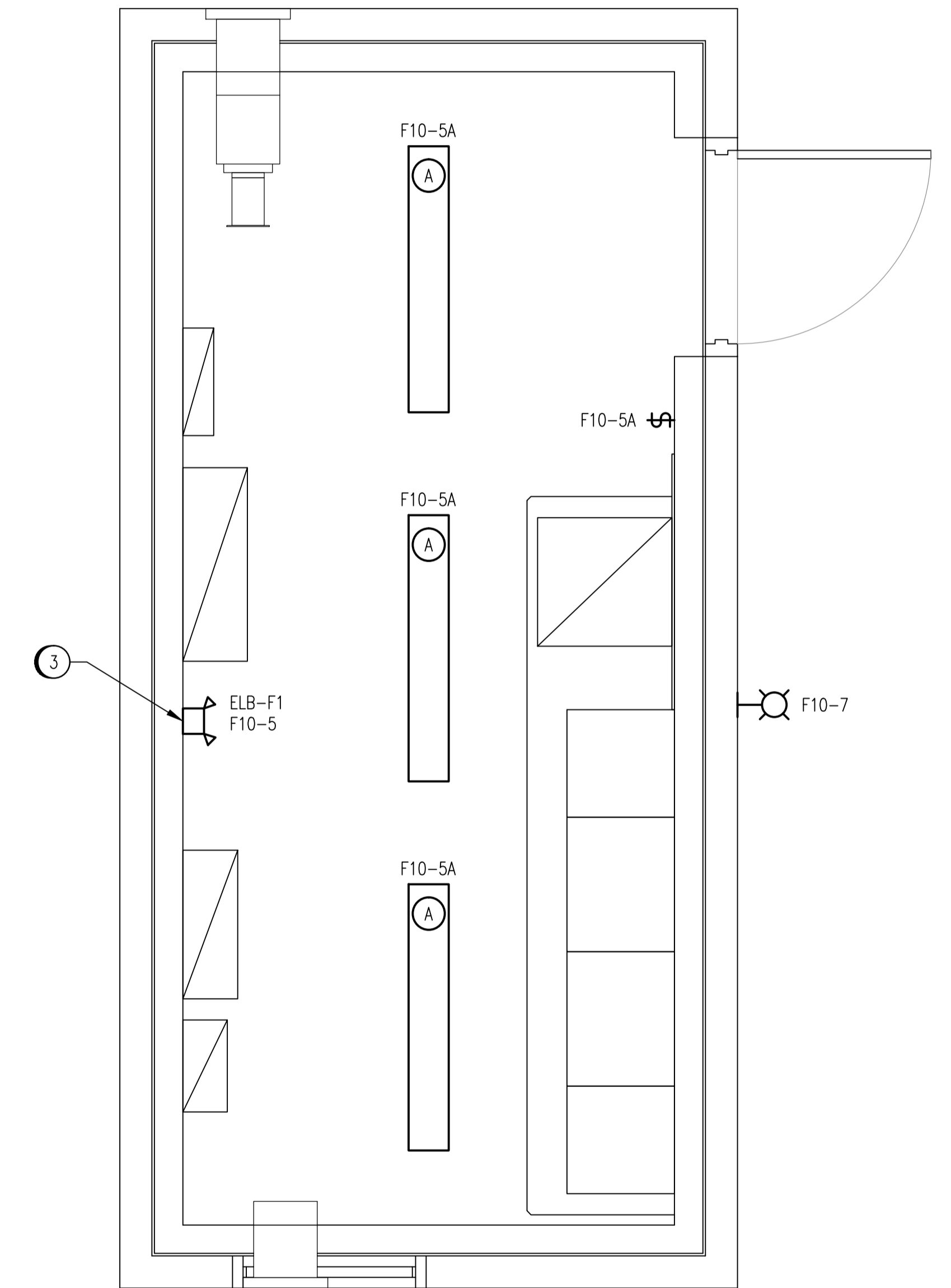
- 1 PROVIDE HOUSEKEEPING PAD 89mm HIGH, EXTEND 100mm ON EACH SIDE OF THE EQUIPMENT WITH 19mm CHAMFERED EDGES, PROVIDE REINFORCEMENT AND ANCHOR PAD TO FLOOR SLAB.
- 2 INSTALL NEW DIRECT BURIED FEEDER CABLES BETWEEN CSTE AND MCC-F1. PROVIDE TWO 103mm PVC DUCTS AT ENTRY POINT TO THE ELECTRICAL ROOM BELOW MCC-F1. INSTALL EACH CABLE THROUGH ONE DUCT AND SEAL OPENING.
- 3 INSTALL NEW EMERGENCY LIGHTING BATTERY UNIT WITH THE BOTTOM OF THE ENCLOSURE AT APPROXIMATELY 2300mm ABOVE FINISHED FLOOR.
- 4 RAISE FLOOR ELEVATION OF ELECTRICAL ROOM TO LEVEL OF DOORWAY.
- 5 INSTALL NON-COMBUSTIBLE INSULATING BOARD, EXTENDING 300mm AROUND XFMR-F10 ON ALL SIDES, BEHIND XFMR-F10 TO MEET CEC CODE REQUIREMENTS.
- 6 RECEPTACLES AND LIGHTING SWITCH TO BE SURFACE MOUNTED.
- 7 INSTALL HAZARDOUS RATED CABLE SEAL ON CABLES TO THE FLOOD PUMPING STATION MAIN FLOOR.
- 8 INSTALL THREE 53mm PVC DUCTS IN THE FLOOR OF THE ELECTRICAL ROOM BELOW MCC-F1. INSTALL CABLES IN DUCTS AND SEAL THE OPENING.
- 9 PROVIDE 305x305x152mm PVC TERMINATION BOX AT EACH END OF THE BURIED CONDUIT.



SECTION - ELECTRICAL ROOM
SCALE: 1 : 20

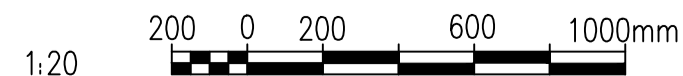


ELECTRICAL PLAN LAYOUT - ELECTRICAL ROOM
SCALE: 1 : 20



LIGHTING PLAN LAYOUT - ELECTRICAL ROOM
SCALE: 1 : 20

1-0157L-E0005	ELECTRICAL SCHEDULES
DRAWING NUMBER	REFERENCE DRAWINGS



NO.	REVISIONS	DATE	DESIGN	CHECK
00	ISSUED FOR TENDER, BID OPP. 774-2011	2011/11/10	VE	CJR

SNC-LAVALIN INC. 148 Nature Park Way Winnipeg, MB, Canada R3P 0X7 204-786-8080	
DESIGNED BY: V. ELIMBAN	CHECKED BY: C. REIMER
DRAWN BY: S. FUNK	APPROVED BY: C. REIMER
SCALE: 1:20	RELEASED FOR CONSTRUCTION BY: V. JEANCART
DATE: 2011/05/17	DATE: 2011/11/15
CONSULTANT NO.: 505581-0000-47DD-0103	

ENGINEER'S SEAL
ORIGINAL DRAWING SEALED BY: C. J. REIMER SNC-LAVALIN INC. MEMBER #21968 2011/11/15 REV. 00

THE CITY OF WINNIPEG WATER AND WASTE DEPARTMENT			
MAGER DRIVE FLOOD PUMPING STATION ELECTRICAL AND LIGHTING PLAN ELECTRICAL ROOM			
CITY DRAWING NUMBER	SHEET	REV.	SIZE
1-0157F-E0001	001	00	A1