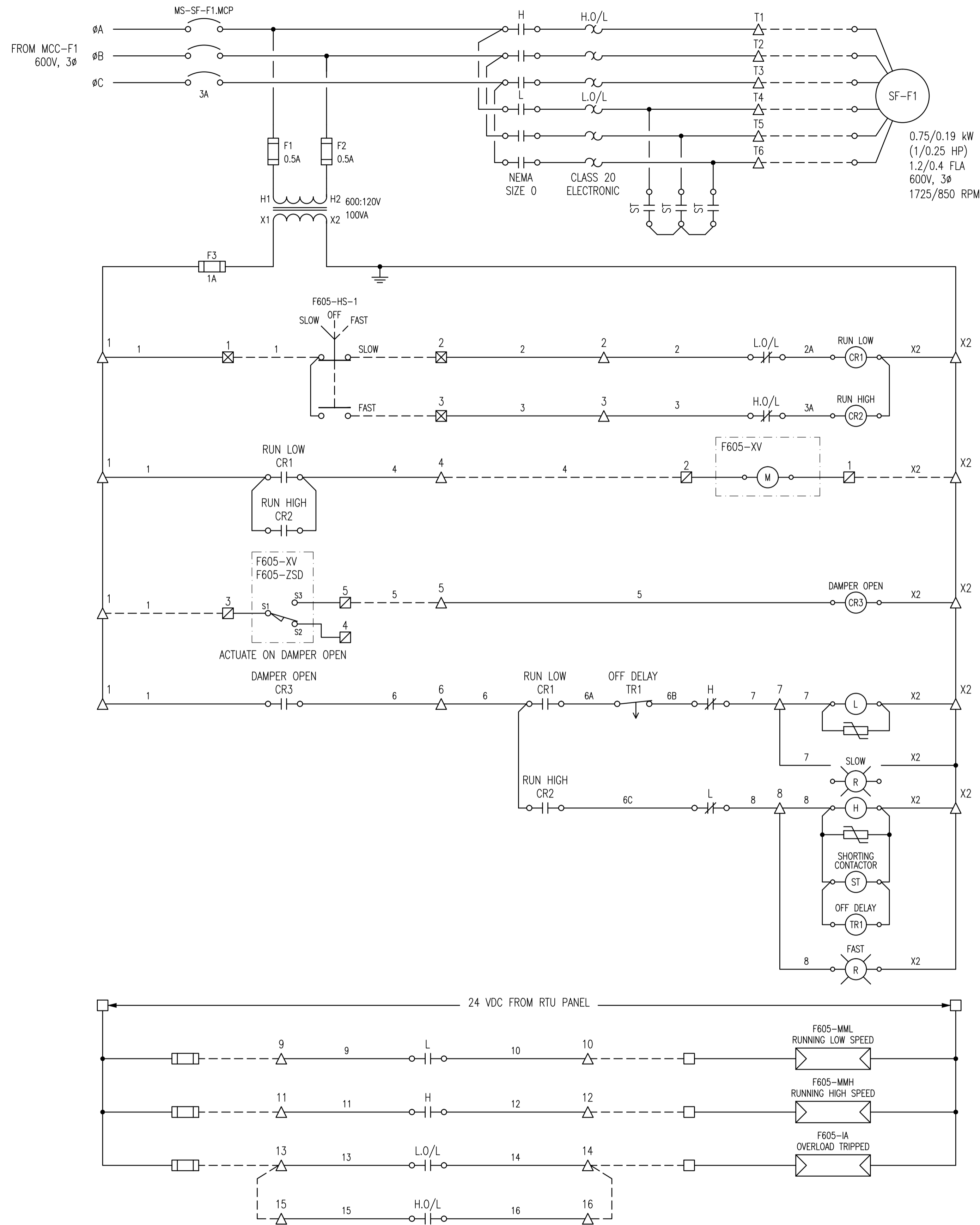


A1 SIZE - 594mm x 841mm

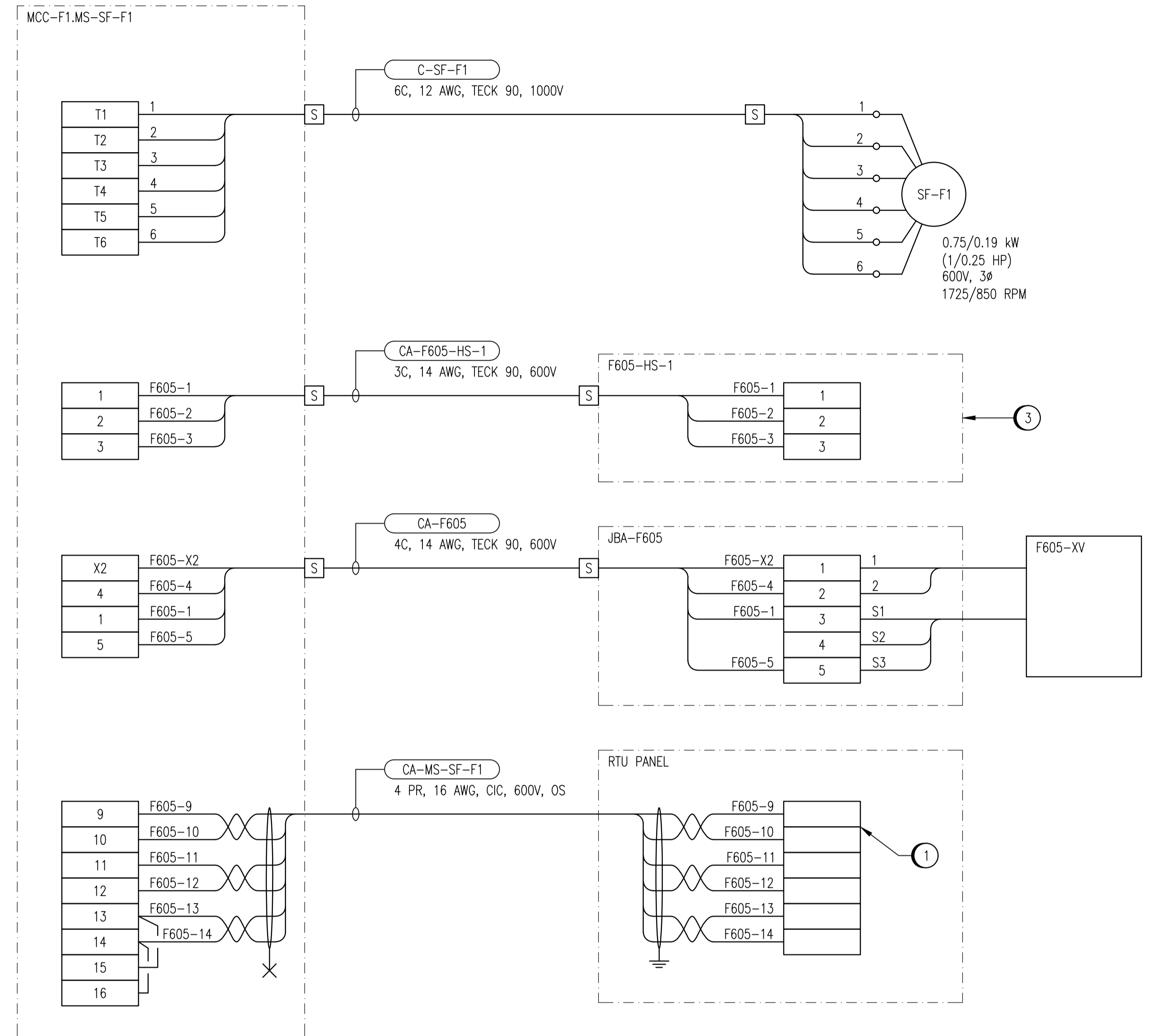
LAST SAVE: 2011/11/23 - 10:18am

PATH: M:\505581\ENGV47\ELE\DD - General DWG\1-0157F-E001-001-00.dwg

**ELEMENTARY DIAGRAM:**



**FIELD CONNECTION DIAGRAM:**



**NOTES:**

- ① CITY TO PROVIDE TERMINALS IN RTU PANEL TO FACILITATE CONNECTION.
- ② ALL FIELD WIRING WIRE TAGS TO BE PREFIXED WITH LOOP NUMBER, "F605-".
- ③ PROVIDE REMOTE SLOW/OFF/FAST OPERATOR STATION.

**LEGEND:**

- △ TERMINAL IN MOTOR STARTER
- ⊠ TERMINAL IN JBA-F605
- ⊞ TERMINAL IN REMOTE OPERATOR STATION
- S HAZARDOUS RATED SEAL



<p>SNC-LAVALIN INC. 148 Nature Park Way Winnipeg, MB, Canada R3P 0X7 204-786-8080</p>				<p>ENGINEER'S SEAL</p>	
<p>DESIGNED BY: V. ELIMBAN</p>		<p>CHECKED BY: C. REIMER</p>		<p>ORIGINAL DRAWING SEALED BY: C. J. REIMER</p>	
<p>DRAWN BY: S. FUNK</p>		<p>APPROVED BY: C. REIMER</p>		<p>SNC-LAVALIN MEMBER #21968</p>	
<p>SCALE: NTS</p>		<p>RELEASED FOR CONSTRUCTION BY: V. JEANCART</p>		<p>2011/11/22 REV. 00</p>	
<p>DATE: 2011/09/15</p>		<p>DATE: 2011/11/22</p>		<p>CITY DRAWING NUMBER: 1-0157F-E0011</p>	
<p>ISSUED FOR TENDER, BID OPP: 774-2011</p>		<p>DATE: 2011/11/10</p>		<p>SHEET: 001</p>	
<p>NO. REVISIONS</p>		<p>DESIGN: VE</p>		<p>REV: 00</p>	
<p>DATE: 2011/11/10</p>		<p>CHECK: CJR</p>		<p>SIZE: A1</p>	
<p>CONSULTANT NO.: 505581-0000-47DD-0113</p>				<p>1-0157F-E0011-001-00.dwg</p>	

**THE CITY OF WINNIPEG**  
WATER AND WASTE DEPARTMENT

MAGER DRIVE FLOOD PUMPING STATION

MOTOR STARTER SCHEMATIC  
MS-SF-F1  
SUPPLY FAN

DRAWING NUMBER REFERENCE DRAWINGS