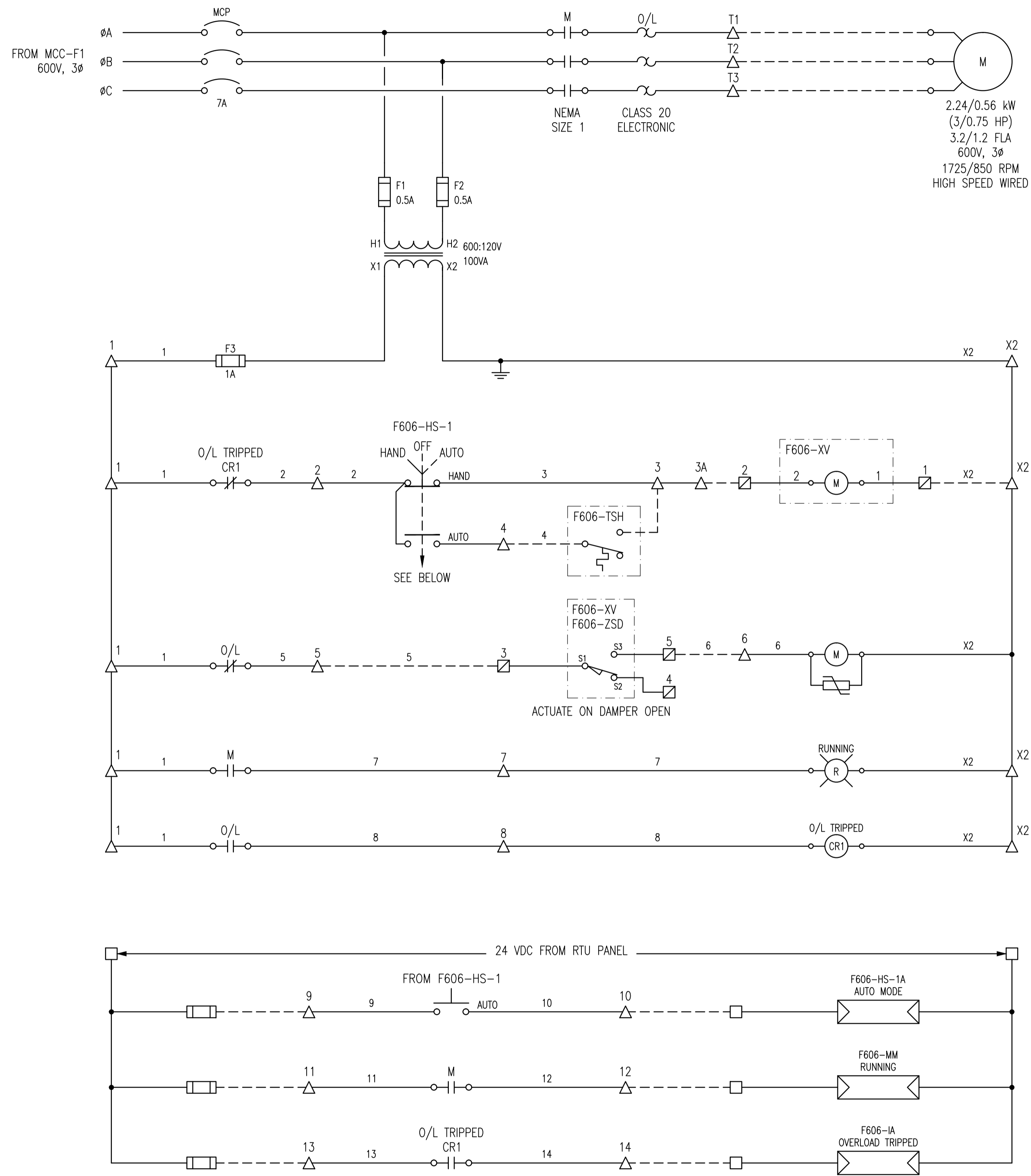
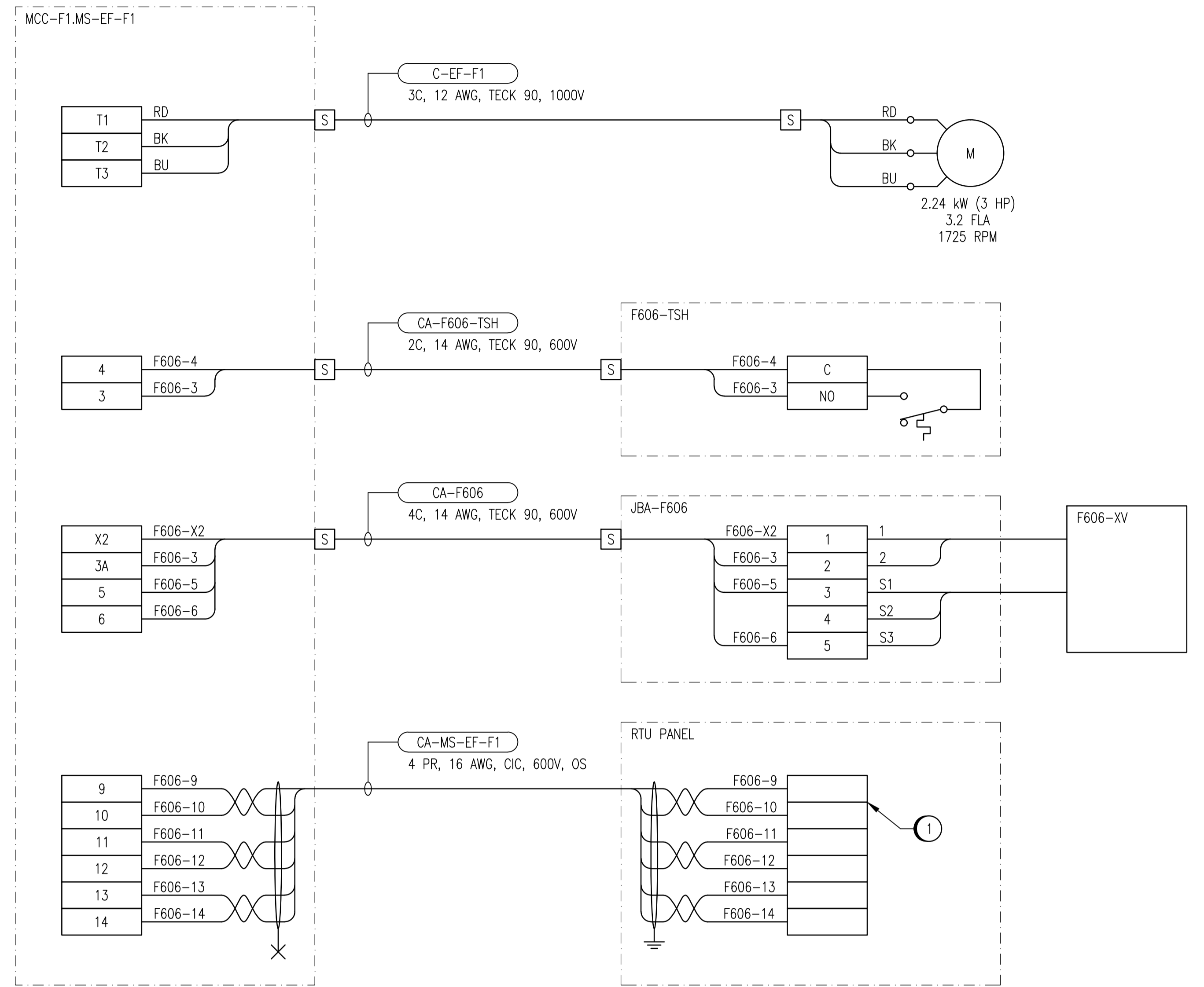


ELEMENTARY DIAGRAM:



FIELD CONNECTION DIAGRAM:



NOTES:

- ① CITY TO PROVIDE TERMINALS IN RTU PANEL TO FACILITATE CONNECTION.
- ② ALL FIELD WIRING WIRE TAGS TO BE PREFIXED WITH LOOP NUMBER, "F606-".

LEGEND:

- Δ TERMINAL IN MOTOR STARTER
- \square TERMINAL IN RTU PANEL
- \boxplus TERMINAL IN JUNCTION BOX
- S HAZARDOUS RATED SEAL
- \boxleftarrow RTU INPUT



NO.	REVISIONS	DATE	DESIGN	CHECK
00	ISSUED FOR TENDER, BID OPP. 774-2011	2011/11/10	VE	CJR

 SNC-LAVALIN INC. 148 Nature Park Way Winnipeg, MB, Canada R3P 0X7 204-786-8080	
DESIGNED BY: V. ELIMBAN	CHECKED BY: C. REIMER
DRAWN BY: S. FUNK	APPROVED BY: C. REIMER
SCALE: NTS	RELEASED FOR CONSTRUCTION BY: V. JEANCART
DATE: 2011/09/15	DATE: 2011/11/22
CONSULTANT NO.: 505581-0000-47DD-0114	

ENGINEER'S SEAL

ORIGINAL DRAWING
SEALED BY:
C. J. REIMER
SNC-LAVALIN
MEMBER #21968
2011/11/22
REV. 00

 THE CITY OF WINNIPEG WATER AND WASTE DEPARTMENT	
MAGER DRIVE FLOOD PUMPING STATION	
MOTOR STARTER SCHEMATIC MS-EF-F1 EXHAUST FAN	
CITY DRAWING NUMBER 1-0157F-E0012	SHEET REV. SIZE 001 00 A1