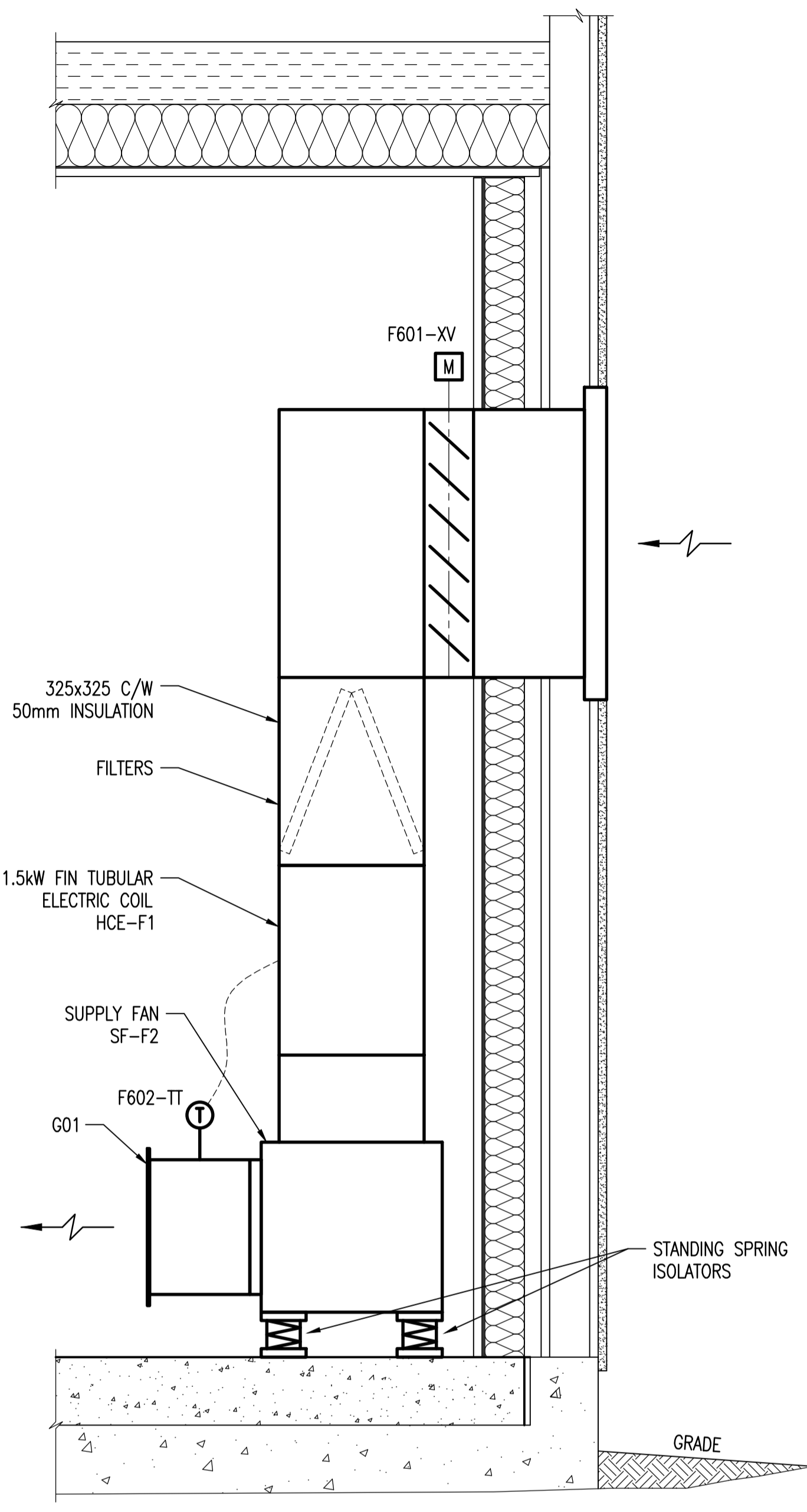


MECHANICAL PLAN LAYOUT - ELECTRICAL ROOM
SCALE: 1 : 20



SECTION A-A
SCALE: 1 : 10

GENERAL NOTES:

- SEE ARCHITECTURAL DRAWINGS FOR WALL PENETRATIONS.
- INSTALL FIRE EXTINGUISHERS IN ACCORDANCE WITH NFPA 10.

DESIGN CRITERIA:

THE BUILDING ENVIRONMENTAL CONTROL SYSTEMS SHOWN ON THESE DRAWINGS HAVE BEEN DESIGNATED TO THE REQUIREMENTS OF THE MANITOBA BUILDING CODE. THE VENTILATION SYSTEM WILL HAVE 2 MODES OF OPERATION: NORMAL AND HIGH RATE OPERATION.

- NORMAL OPERATION: SUPPLY FAN WILL RUN CONTINUOUSLY AT LOW SPEED TO PROVIDE 2 AIR CHANGES PER HOUR (24 L/S) WITH A BACKDRAFT DAMPER SET TO MAINTAIN 25Pa POSITIVE PRESSURE IN THE SPACE.
- HIGH RATE OPERATION: SUPPLY FAN WILL RUN AT HIGH SPEED TO PROVIDE 8 AIR CHANGES PER HOUR (95 L/S) WHEN SPACE TEMPERATURE IS ABOVE 25°C.
- ELECTRIC HEATING COIL IS TO MAINTAIN A SUPPLY TEMPERATURE OF 10°C. PROVIDE A DISCHARGE TEMPERATURE CONTROLLER WITH MANUAL ADJUSTMENT.

COMMISSIONING DATA:

SPEED	ACTUAL AIRFLOW (L/S)	FAN RPM	CONTROLLER SETTING
LOW			
HIGH			

CONTRACTOR TO COMPLETE ABOVE

FIRE EXTINGUISHER SCHEDULE

TAG	RATING/WEIGHT (MINIMUM)	TYPE	COMMENT
FEX-F1	2A, 5BC, 10LB (4.5 KG)	DRY CHEMICAL	NEW

DAMPER SCHEDULE

TAG	MAKE & MODEL	SIZE	BLADE CONFIGURATION	ACTION
F601-XV	TAMCO 9000SC	300x600	PARALLEL	MOTORIZED
BDD-1	TAMCO 7000CW	300x600	PARALLEL	WEIGHTED BACKDRAFT

GRILLE SCHEDULE

TAG	MAKE & MODEL
G01	E.H. PRICE 250x150/510/D/F/L/A

LOUVRE SCHEDULE

TAG	MAKE & MODEL	SIZE
L01	E.H. PRICE ZE445	300x600
L02	E.H. PRICE ZE445	300x600

FAN SCHEDULE

TAG	SERVICE	MAKE & MODEL	LOCATION	CAPACITY (L/S)	TSP (Pa)	SPEED (RPM)	MOTOR (kW)	VOLTAGE	NOTES
SF-F2	SUPPLY	GREENHECK SQ-80-VG	MAIN FLOOR	95	125	1548	0.05	115V, 1Ø	STANDING SPRING ISOLATION AND INSULATED HOUSING ELECTRICALLY COMMUTED (DC) MOTOR INTEGRAL TWO SPEED CONTROLLER

ELECTRIC DUCT HEATER SCHEDULE

TAG	SERVICE	MAKE & MODEL	SIZE	kW	VOLTAGE	NOTES
HCE-F1	SUPPLY	THERMOLEC FT	375x375	1.5	208V, 3Ø	SCR CONTROLLER AND DISCHARGE TEMPERATURE SENSOR

DRAWING NUMBER	REFERENCE DRAWINGS
----------------	--------------------



NO.	REVISIONS	DATE	DESIGN	CHECK
00	ISSUED FOR TENDER, BID OPP. 774-2011	2011/11/10	SN	SN

 SNC-LAVALIN INC. 148 Nature Park Way Winnipeg, MB, Canada R3P 0X7 204-798-8080	
DESIGNED BY: S. NORSWORTHY	CHECKED BY: S. NORSWORTHY
DRAWN BY: S. FUNK	APPROVED BY: C. REIMER
SCALE: AS SHOWN	RELEASED FOR CONSTRUCTION BY: V. JEANCART
DATE: 2011/06/22	DATE: 2011/11/15
CONSULTANT NO.: 505581-0000-450D-0101	

ENGINEER'S SEAL
ORIGINAL DRAWING SEALED BY:
S. S. NORSWORTHY
SNC-LAVALIN INC.
MEMBER # 20725
2011/11/15
REV. 00

THE CITY OF WINNIPEG
WATER AND WASTE DEPARTMENT

MAGER DRIVE FLOOD PUMPING STATION

HVAC PLAN LAYOUT AND SECTION
ELECTRICAL ROOM

CITY DRAWING NUMBER	SHEET	REV.	SIZE
1-0157F-M0001	001	00	A1