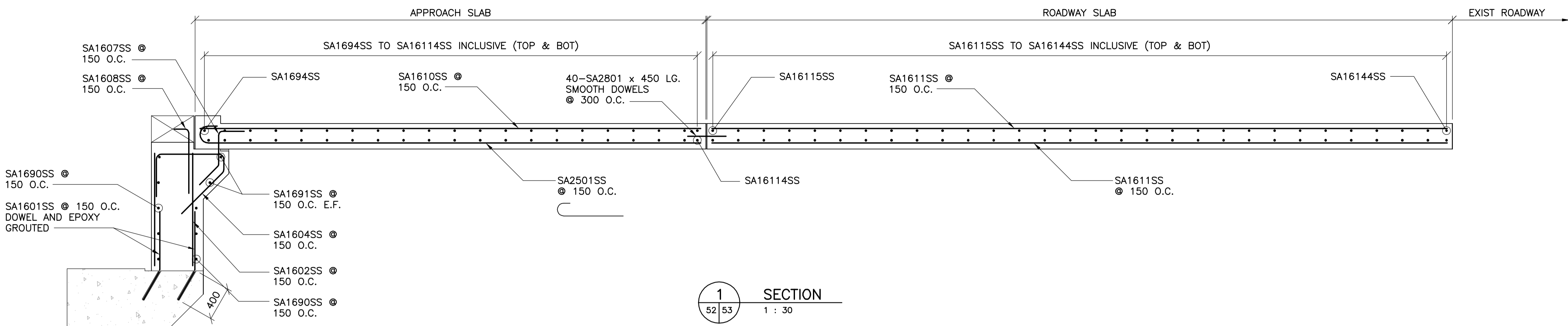
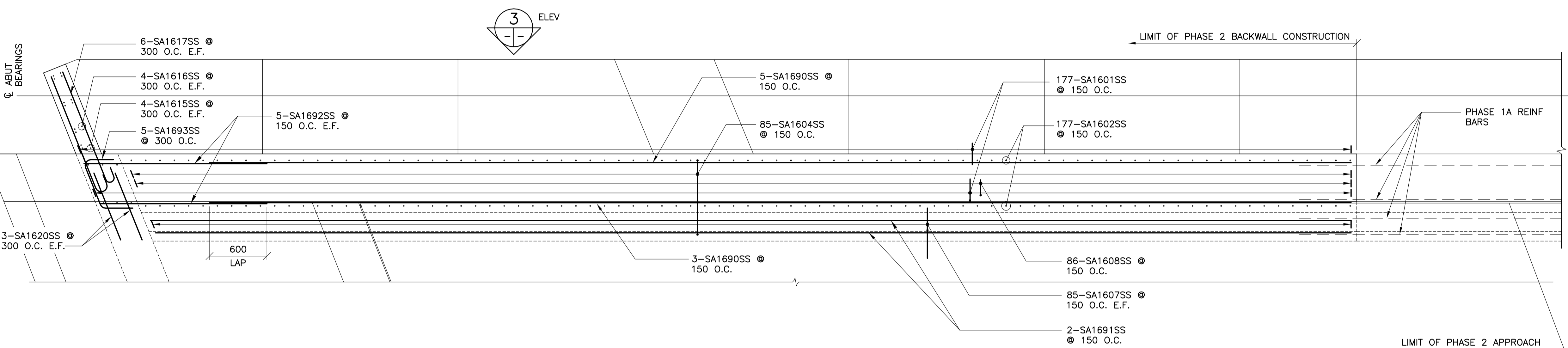
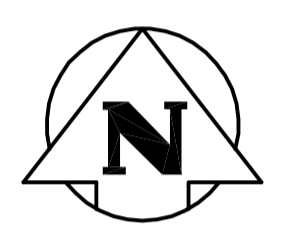


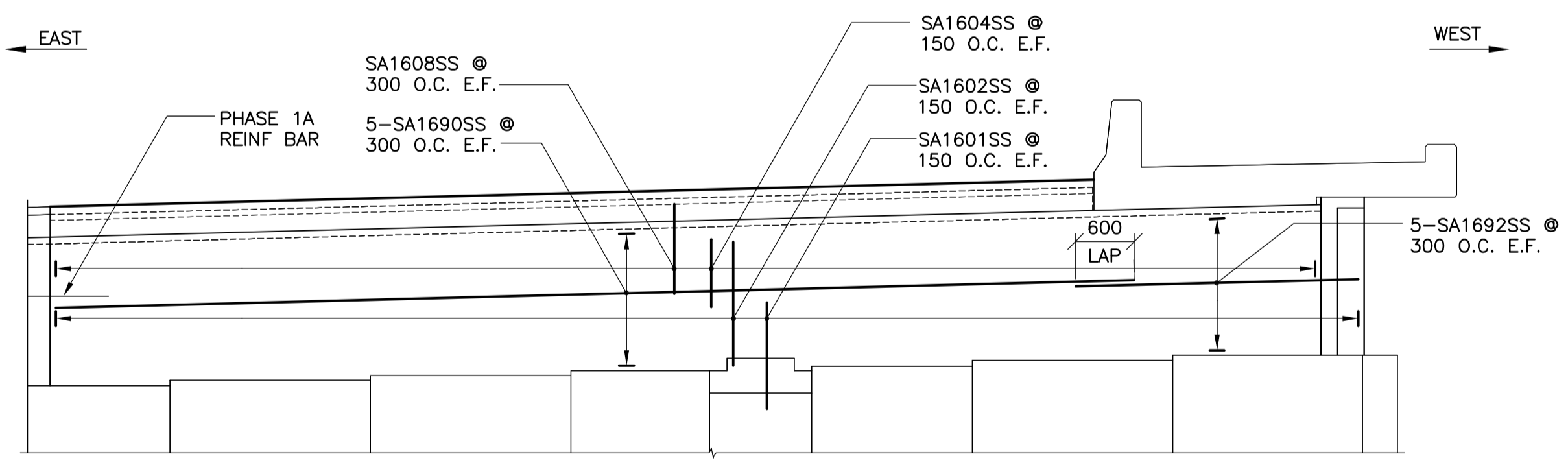
NORTH SOUTH



**1** SECTION  
1 : 30



**2** PLAN - BACKWALL  
1 : 25

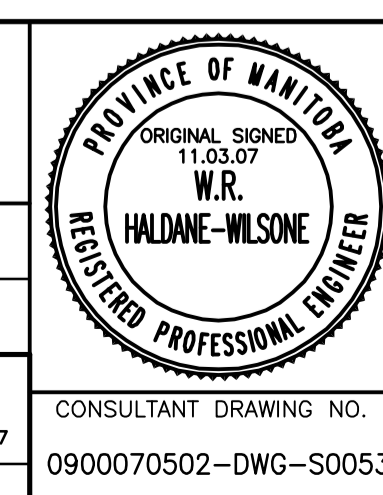


**3** ELEVATION - SOUTH ABUTMENT PHASE 2 REINFORCING  
1 : 50



B.M. ELEV.		F.B.	
00	ISSUED FOR ADDENDUM 1	11.03.07	RHW
NO.	REVISIONS	DATE	BY

<b>WARDROP</b> ATETRA TECH COMPANY			
DESIGNED BY	S.Y.	CHECKED BY	R.H.W.
DRAWN BY	B.M.	APPROVED BY	R.H.W.
HOR. SCALE:	AS NOTED	RELEASED FOR CONSTRUCTION	DATE
VERTICAL:	AS NOTED	ORIGINAL SIGNED	11.03.07
		DATE	10.10.20
MAIT CHISLETT, P. ENG. BRIDGE PROJECTS ENGINEER			



<b>THE CITY OF WINNIPEG</b> PUBLIC WORKS DEPARTMENT ENGINEERING DIVISION		CITY DRAWING NUMBER <b>B109-11-058</b>	
OSBORNE STREET BRIDGE REHABILITATION & RELATED WORKS		SHEET <b>53</b> OF <b>131</b>	
SOUTH ABUTMENT AND APPROACH SLAB PHASE 2 REINFORCING		<b>53</b>	