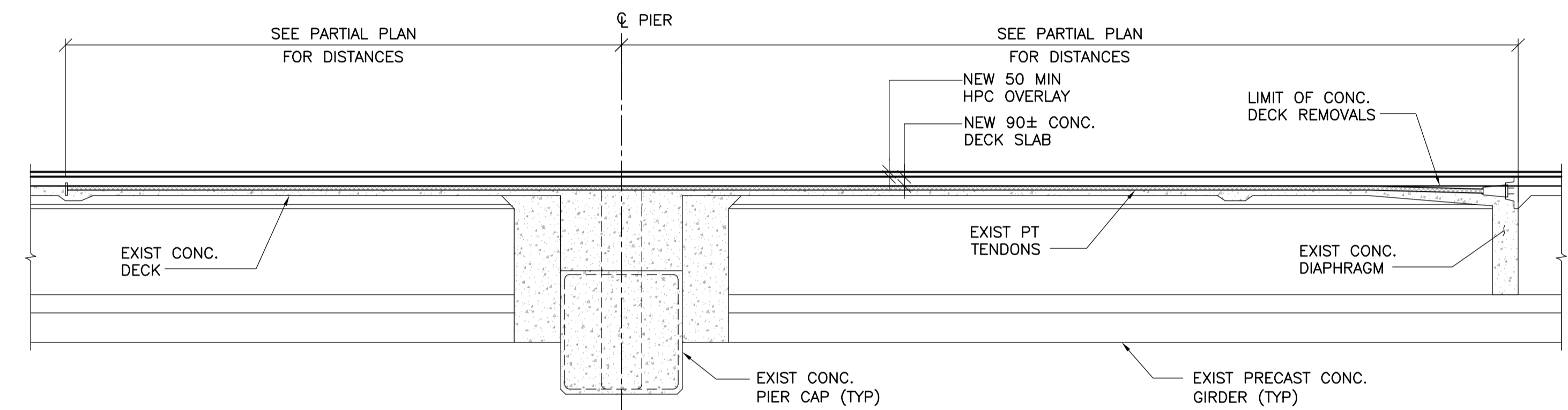
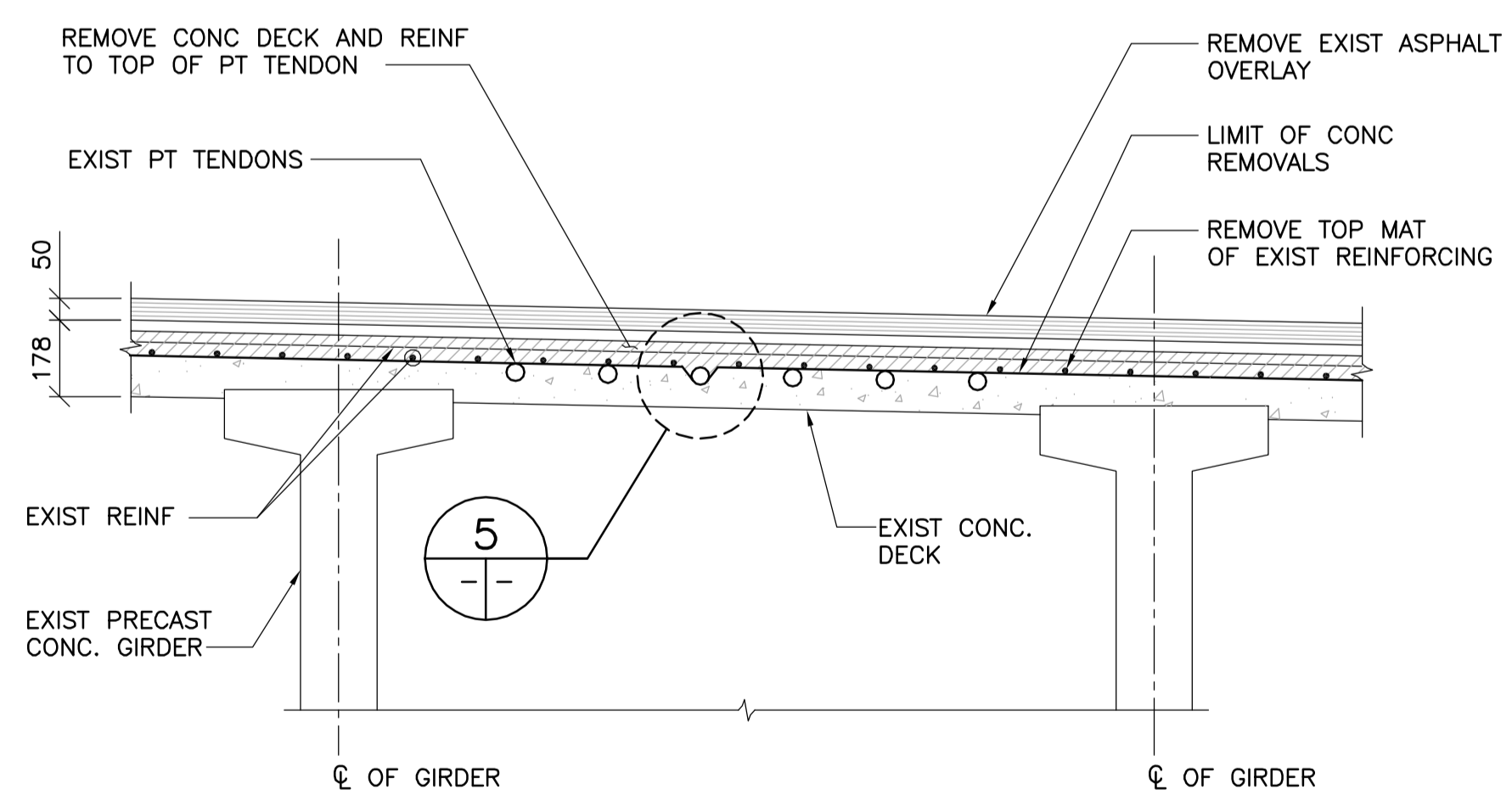


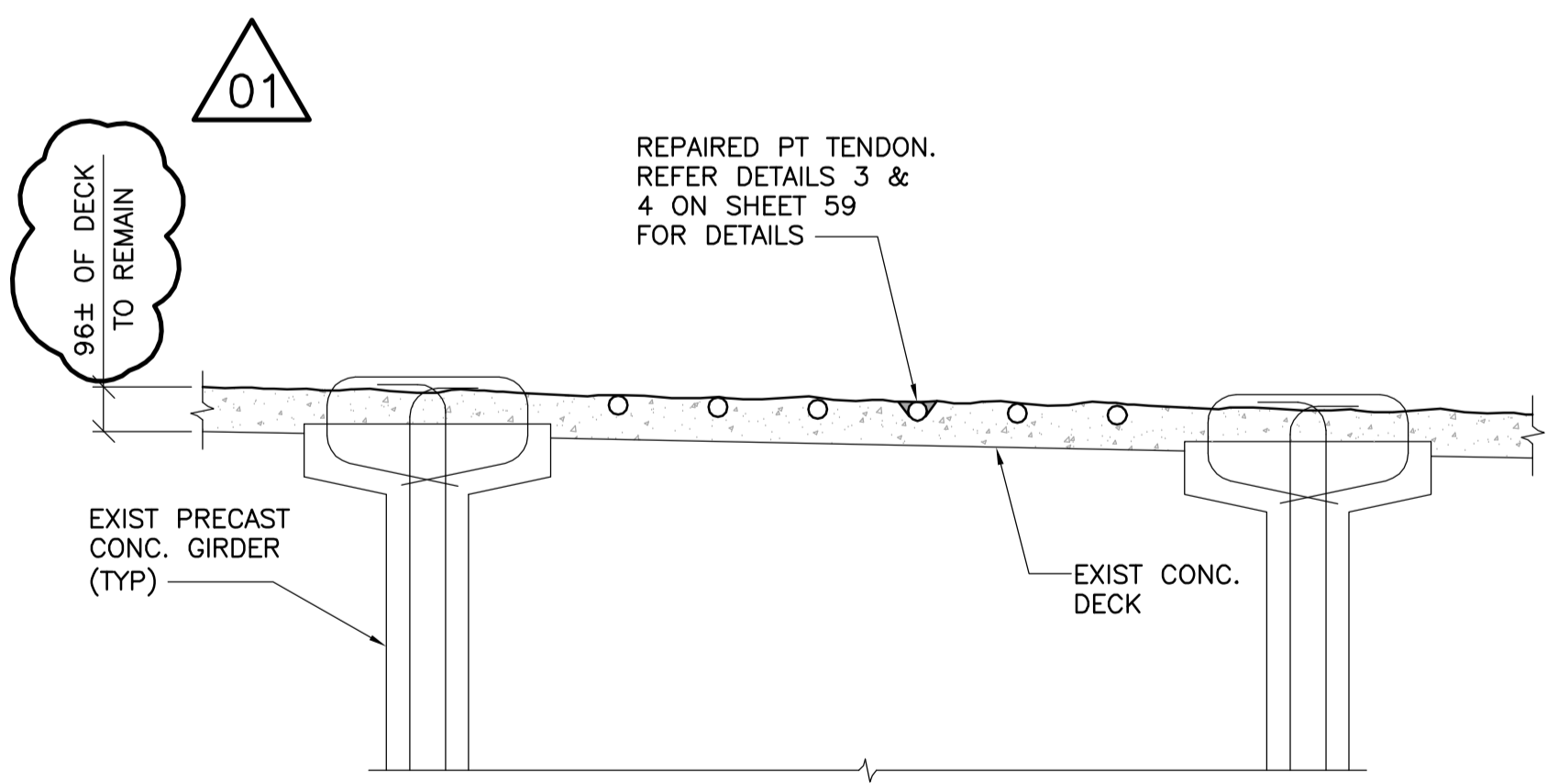
1 PARTIAL PLAN @ PIER LOCATION
1 : 40
* FIELD VERIFY



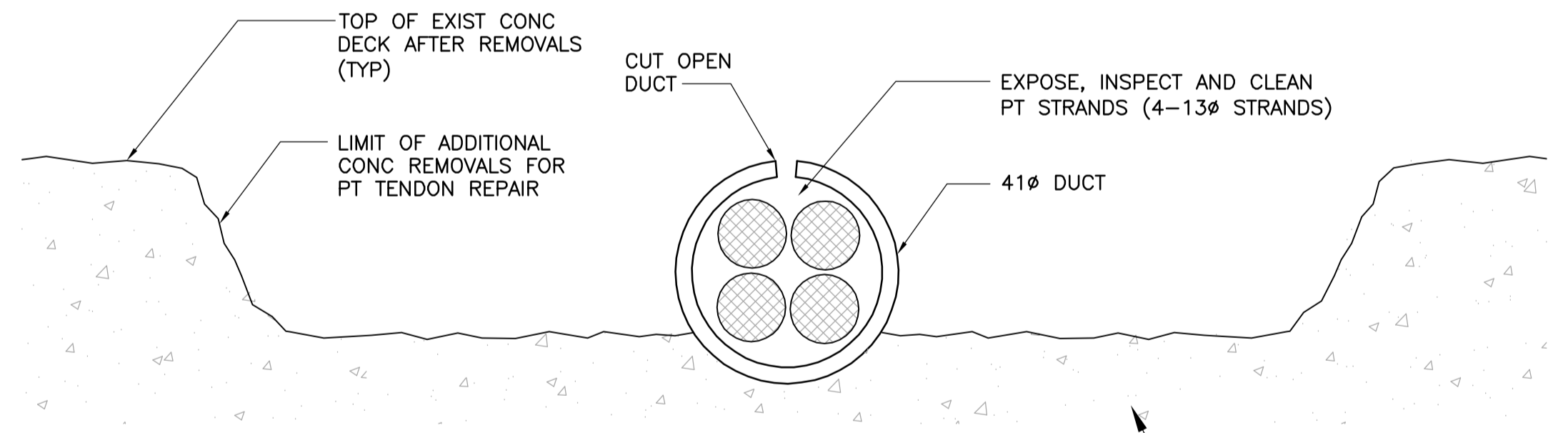
2 SECTION - EXIST POST TENSIONING TENDON
1 : 40



3 EXIST DECK SECTION
1 : 15



4 EXIST DECK SECTION AFTER DEMOLITION
1 : 15



5 TYPICAL REPAIR DETAIL FOR PT DUCT
1 : 1
STAGE III TYPE 3 DECK CONCRETE REMOVALS

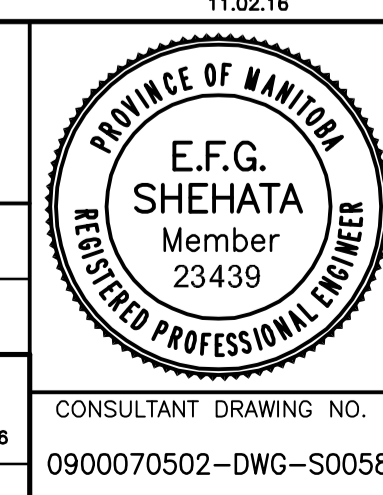
NOTE:
- CUT AND REMOVE DETERIORATED PT STRAND PORTION.
- RECONNECT AND TENSION STRAND WITH NEW MECHANICAL SPLICING UNIT

ORIGINAL SIGNED
11.02.18



B.M. ELEV.	F.B.	NO.	REVISIONS	DATE	BY
		01	ISSUED FOR ADDENDUM 1	11.03.07	EFS
		00	ISSUED FOR TENDER	11.02.18	EFS

WARDROP ATETRA TECH COMPANY	
DESIGNED BY: V.B.	CHECKED BY: E.F.S.
DRAWN BY: E.M.M.	APPROVED BY: R.H.W.
HOR. SCALE: AS NOTED	RELEASED FOR CONSTRUCTION DATE: 11.02.18
VERTICAL: AS NOTED	ORIGINAL SIGNED: 11.02.18
DATE: 10.10.20	DATE: 11.02.18



THE CITY OF WINNIPEG PUBLIC WORKS DEPARTMENT ENGINEERING DIVISION	
OSBORNE STREET BRIDGE REHABILITATION & RELATED WORKS	CITY DRAWING NUMBER B109-11-063 SHEET 58 OF 131
POST TENSIONING TENDONS - INSPECTION AND REPAIRS	CONSULTANT DRAWING NO. 0900070502-DWG-S0058
58	