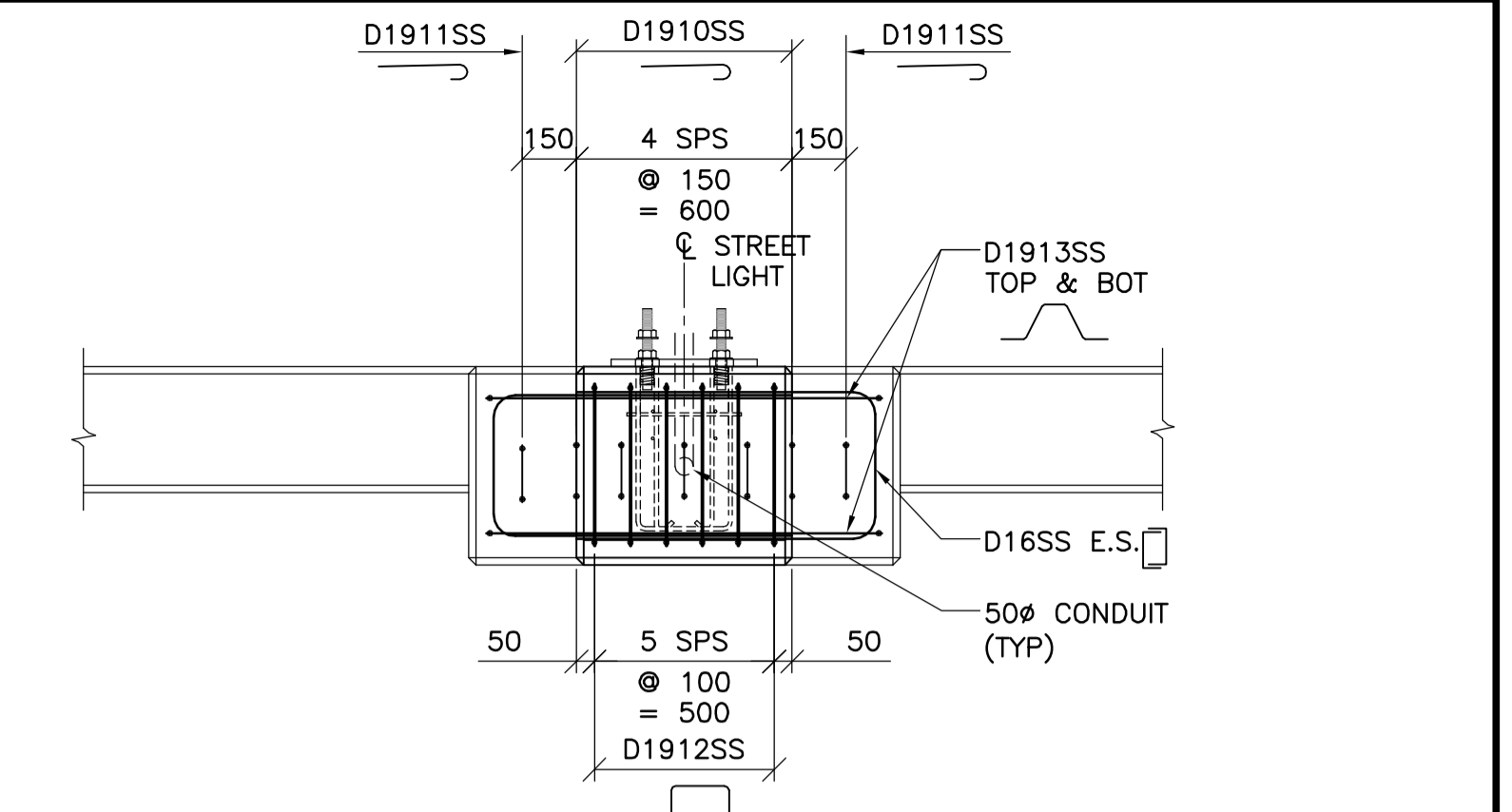
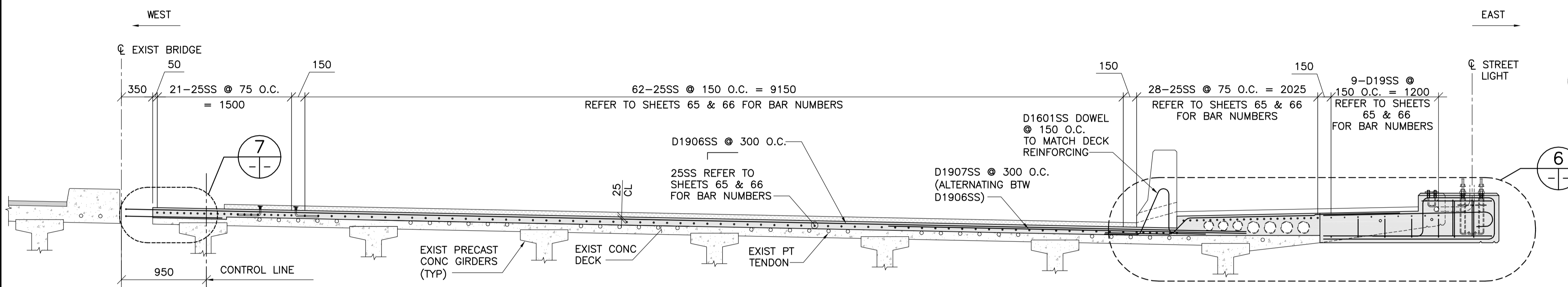


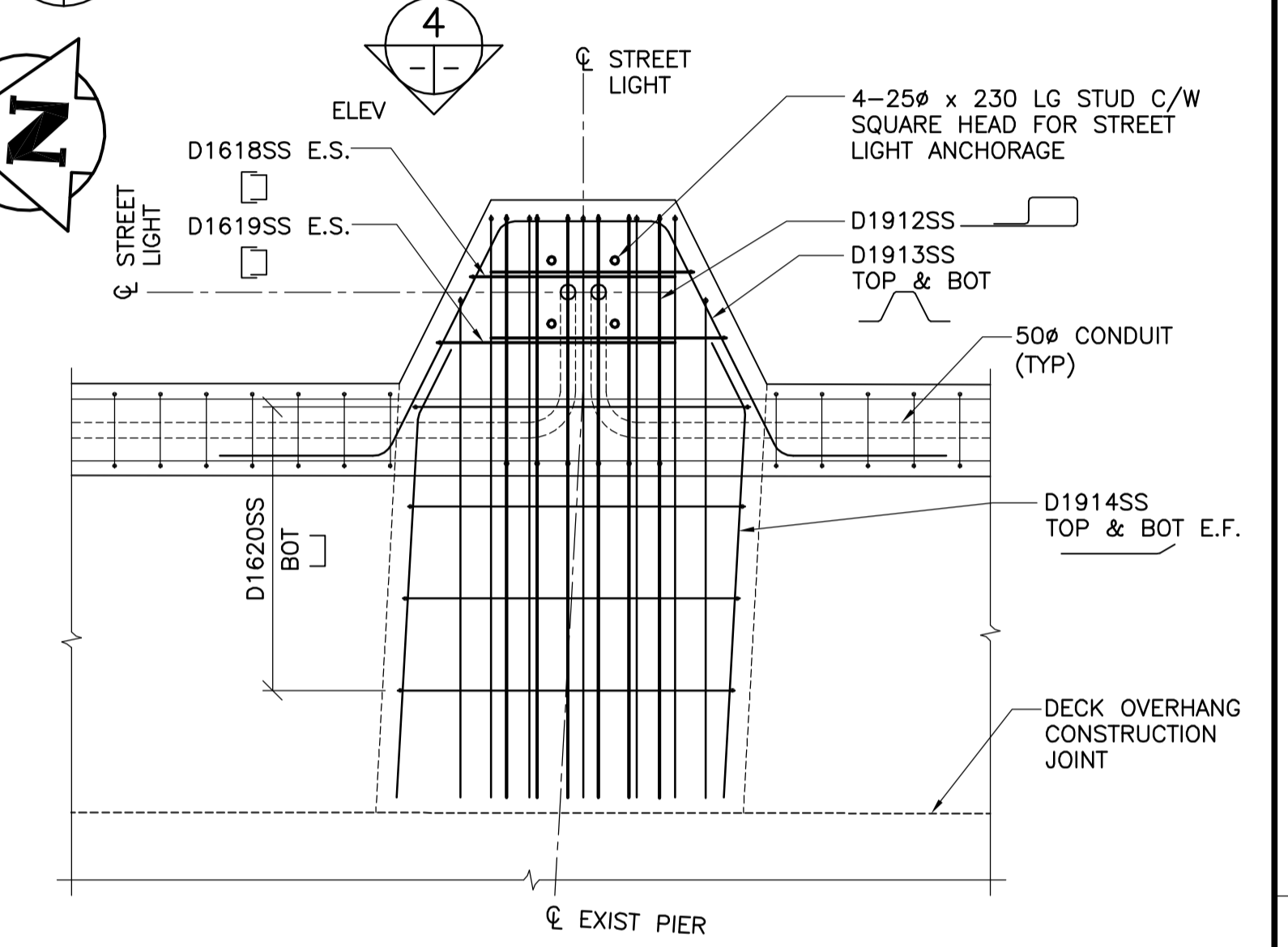
1 TYPICAL SECTION - PHASE 1 DECK REINFORCEMENT
1 : 30



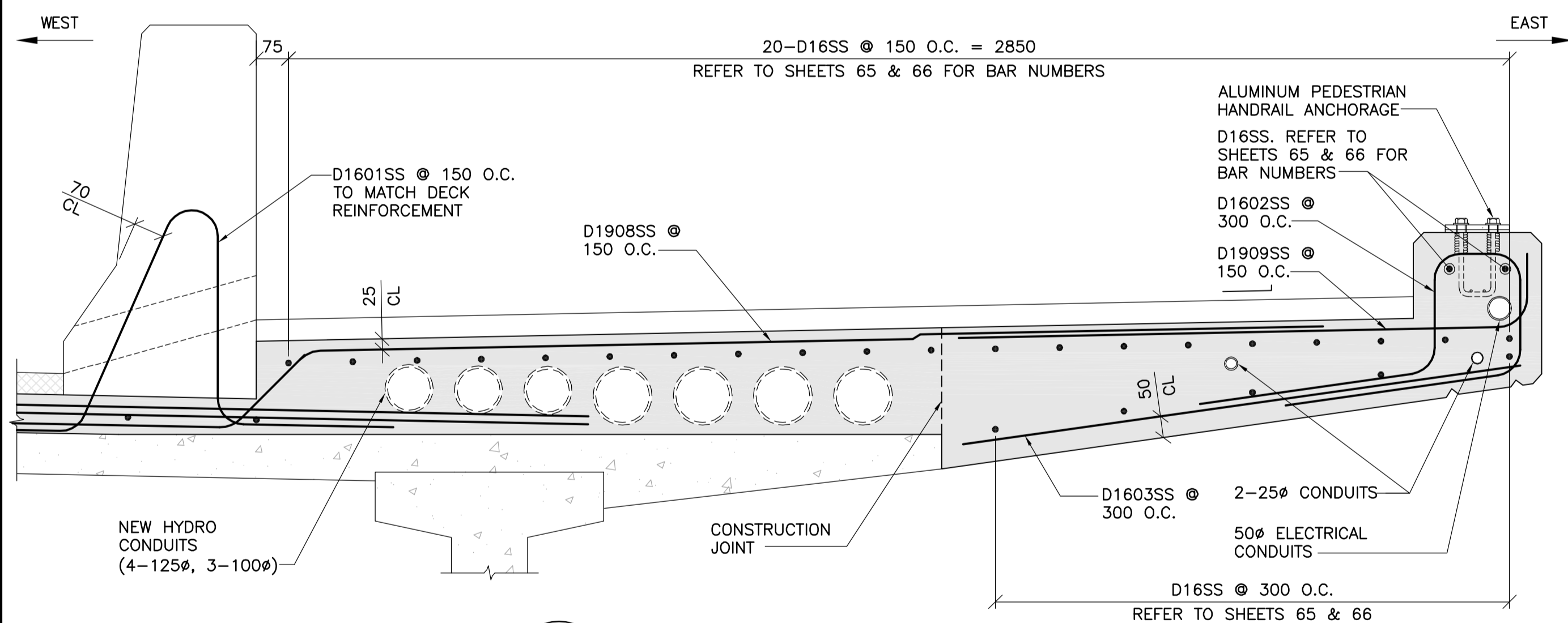
4 STREET LIGHT CONC BASE - ELEVATION
1 : 20



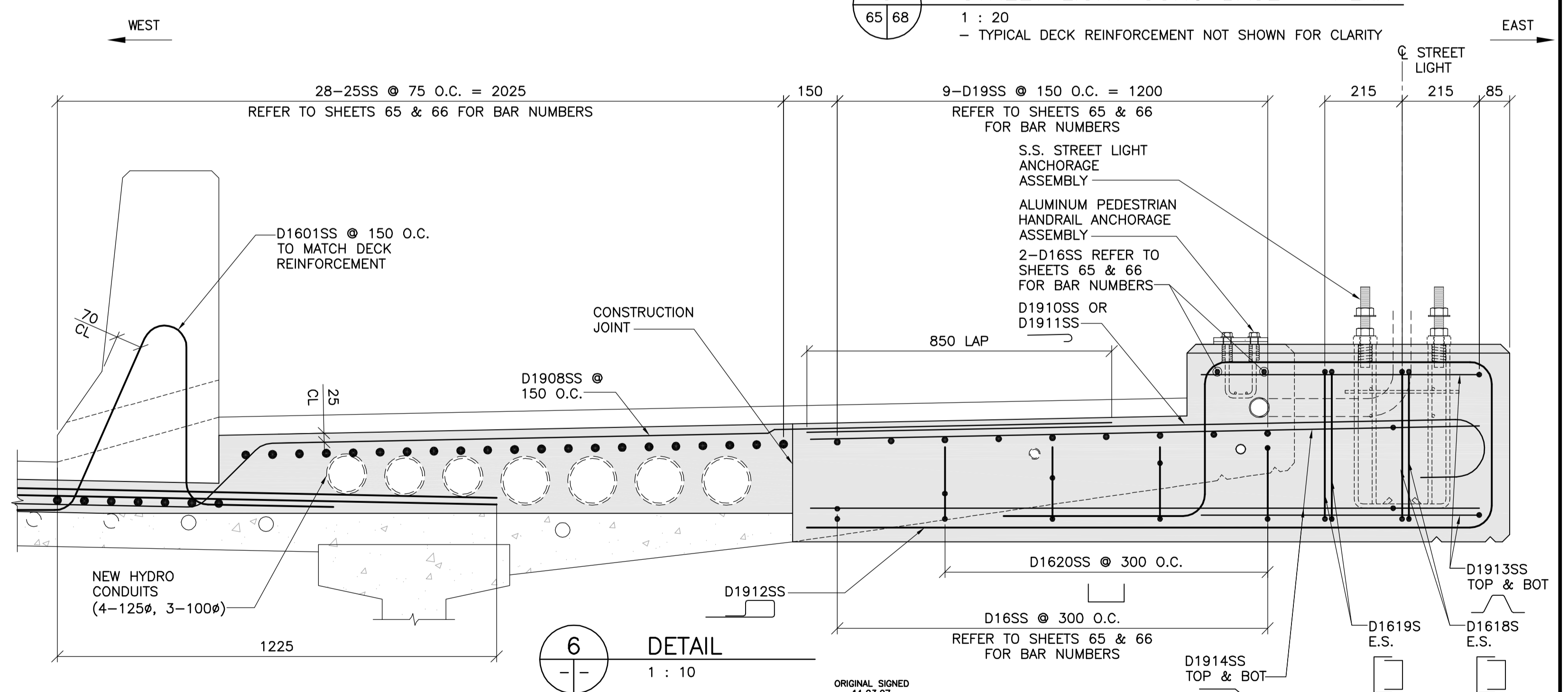
2 SECTION - AT PIER LOCATIONS
1 : 30



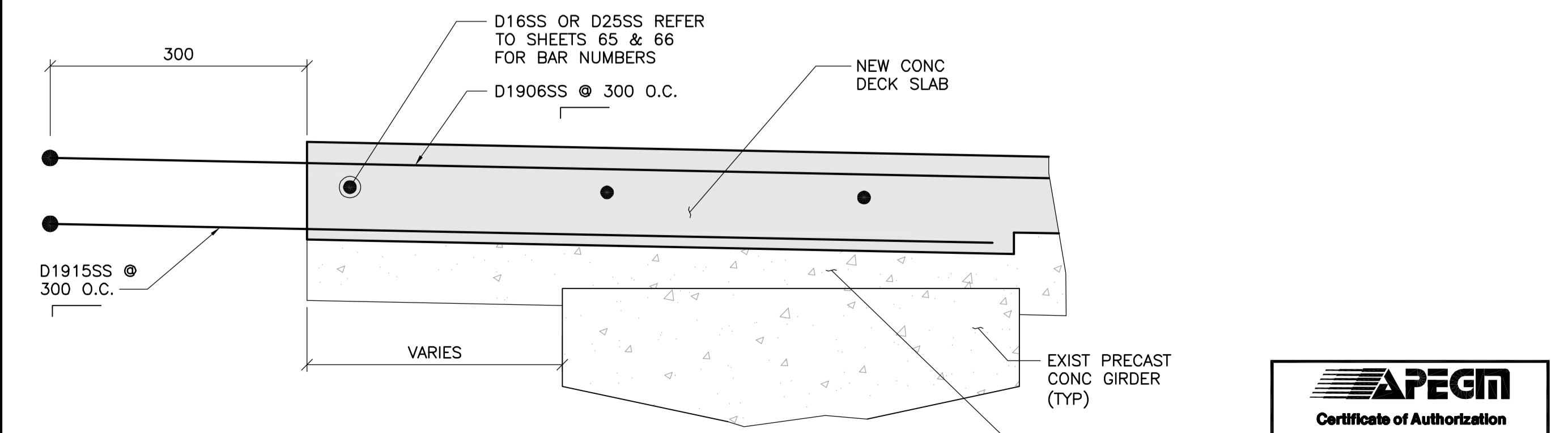
3 STREET LIGHT CONC BASE - PLAN
1 : 20
- TYPICAL DECK REINFORCEMENT NOT SHOWN FOR CLARITY



5 DETAIL
1 : 10



6 DETAIL
1 : 10

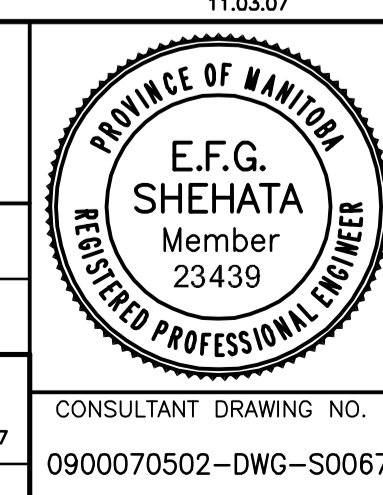


7 DETAIL
1 : 5



B.M. ELEV.	F.B.	DATE	BY
		11.03.07	EFS
		10.10.13	

WARDROP ATETRA TECH COMPANY	
DESIGNED BY: V.B.	CHECKED BY: E.F.S.
DRAWN BY: B.M.	APPROVED BY: R.H.W.
HOR. SCALE: AS NOTED	RELEASED FOR CONSTRUCTION ORIGINAL SIGNED: 11.03.07
VERTICAL: AS NOTED	DATE: 11.03.07
00 ISSUED FOR ADDENDUM 1	DATE: 11.03.07
NO. REVISIONS	DATE



THE CITY OF WINNIPEG PUBLIC WORKS DEPARTMENT ENGINEERING DIVISION	
OSBORNE STREET BRIDGE REHABILITATION & RELATED WORKS	CITY DRAWING NUMBER B109-11-072 SHEET 67 OF 131
BRIDGE DECK - PHASE 1 REINFORCING	94