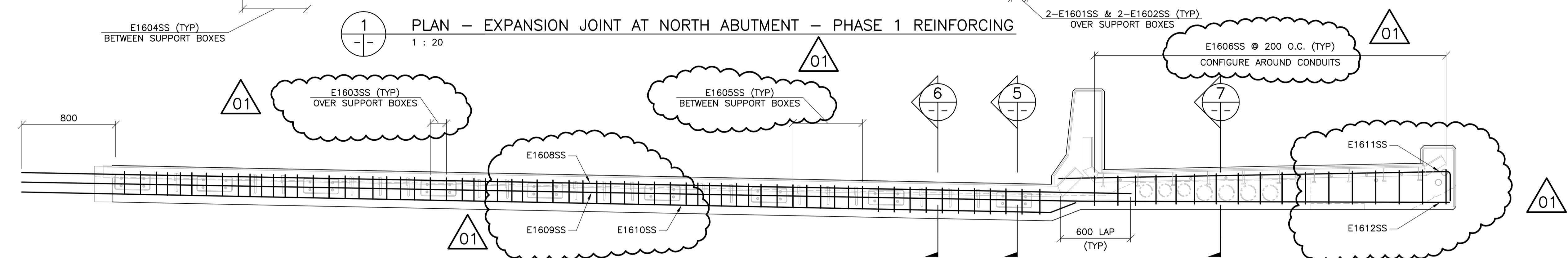
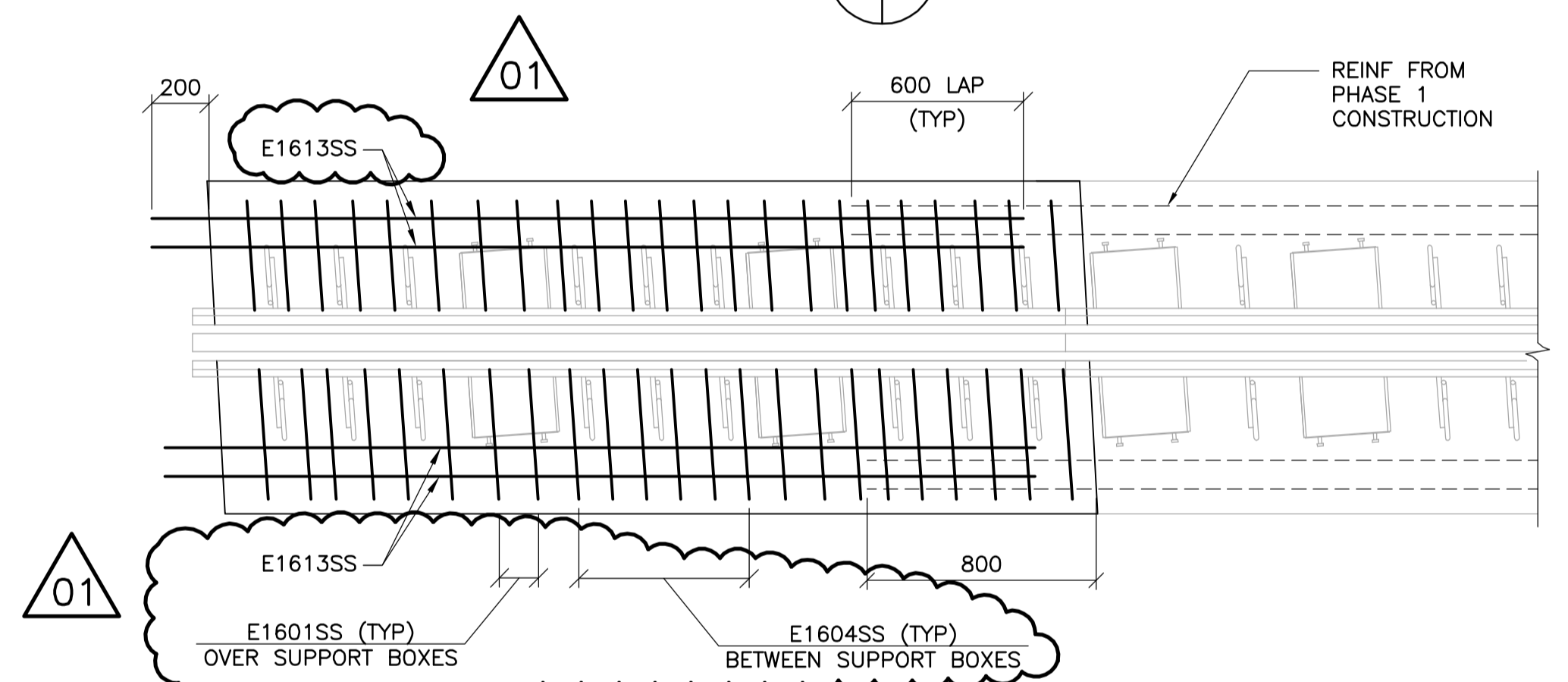


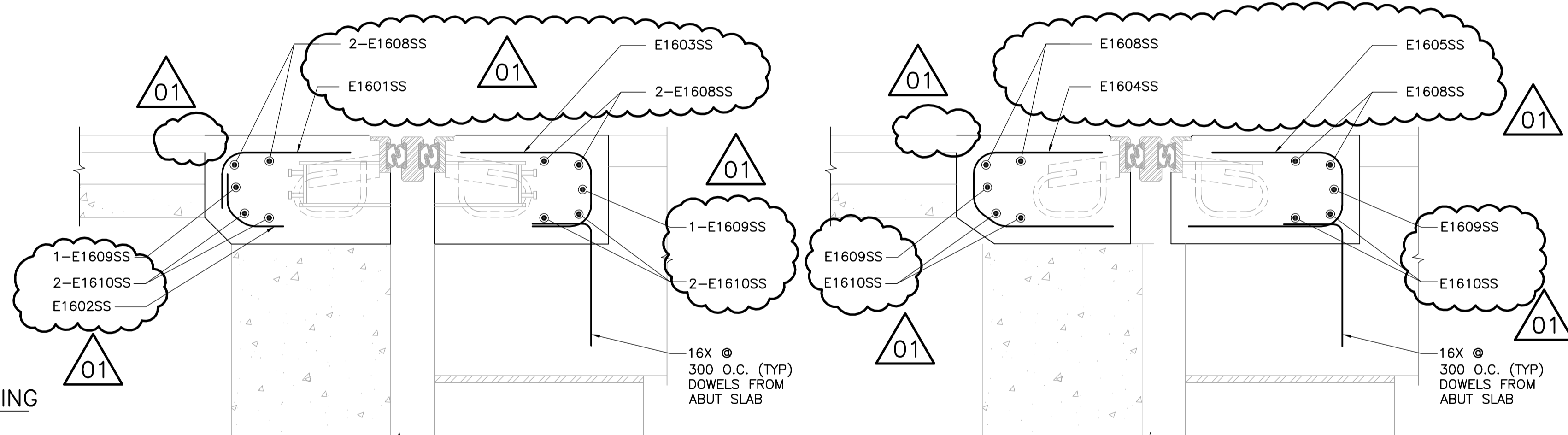
1 PLAN - EXPANSION JOINT AT NORTH ABUTMENT - PHASE 1 REINFORCING  
1 : 20



2 ELEVATION - EXPANSION JOINT AT NORTH ABUTMENT - PHASE 1 REINFORCING  
1 : 20

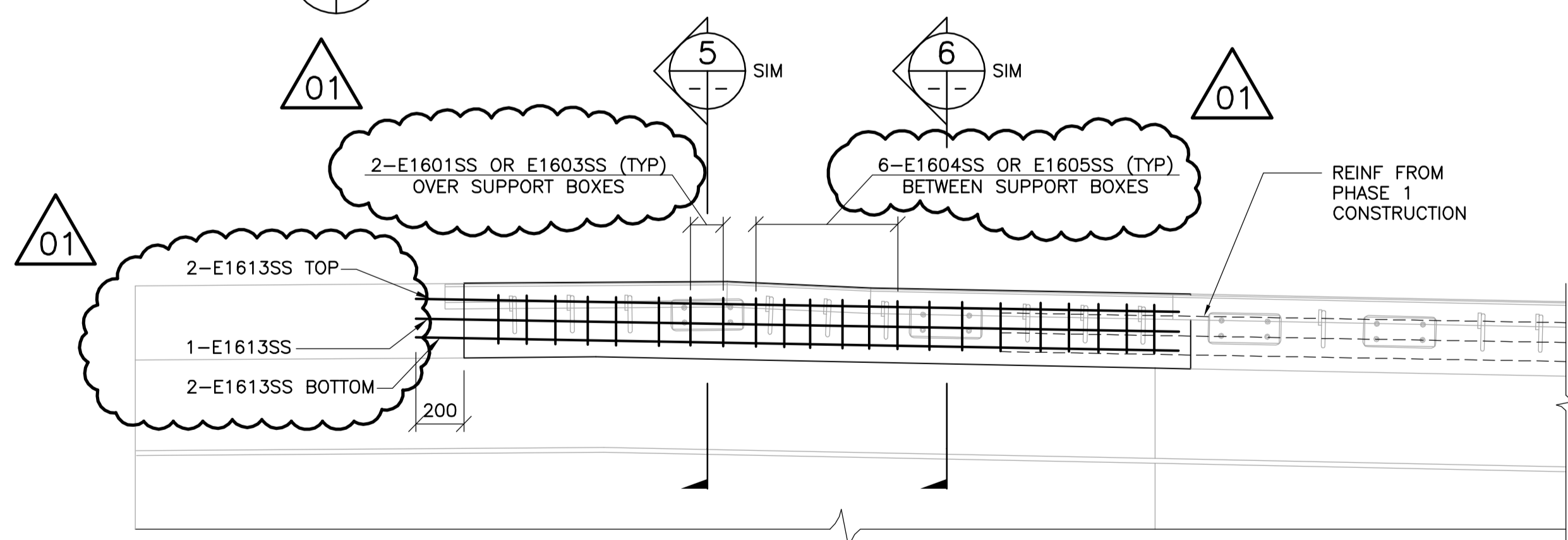


3 PLAN - EXPANSION JOINT AT NORTH ABUTMENT - PHASE 1A REINFORCING  
1 : 20

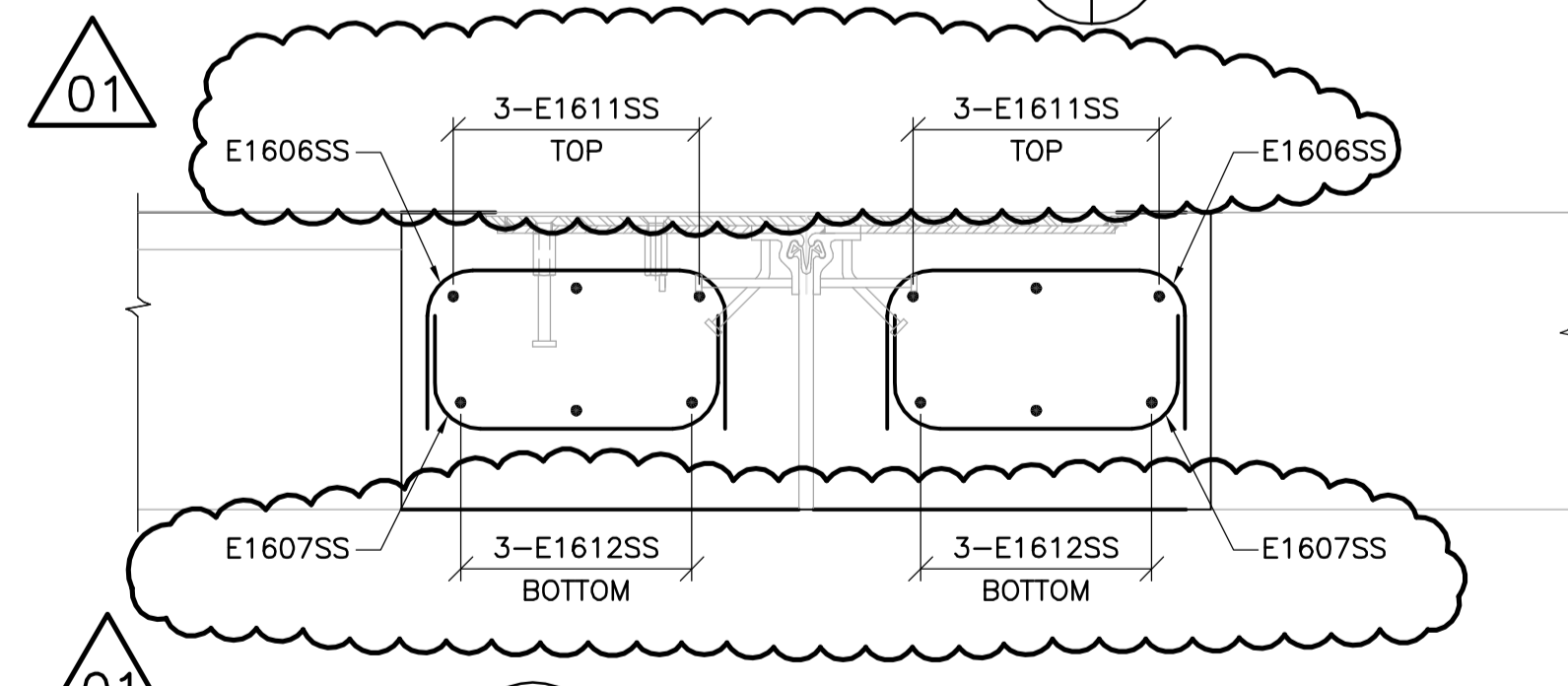


5 SECTION AT EXPANSION JOINT BOXES  
1 : 10

6 SECTION BETWEEN EXPANSION JOINT BOXES  
1 : 10



4 ELEVATION - EXPANSION JOINT AT NORTH ABUTMENT - PHASE 1A REINFORCING  
1 : 20

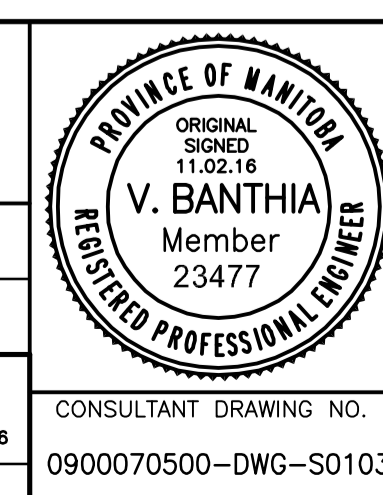


7 SECTION AT SIDEWALK  
1 : 10



B.M. ELEV.	F.B.	DATE	BY

<b>WARDROP</b> ATETRA TECH COMPANY	
DESIGNED BY: K.Y.	CHECKED BY: V.B.
DRAWN BY: E.M.M.	APPROVED BY: R.H.W.
HOR. SCALE: AS NOTED	RELEASED FOR CONSTRUCTION DATE: 11.02.18
VERTICAL: AS NOTED	ORIGINAL SIGNED: 11.02.18
NO. REVISIONS	DATE
	10.12.03



<b>THE CITY OF WINNIPEG</b> PUBLIC WORKS DEPARTMENT ENGINEERING DIVISION	
OSBORNE STREET BRIDGE REHABILITATION & RELATED WORKS	CITY DRAWING NUMBER B109-11-108 SHEET OF 103 OF 113
NORTH EXPANSION JOINT PHASE 1 & PHASE 1A REINFORCING	
103	