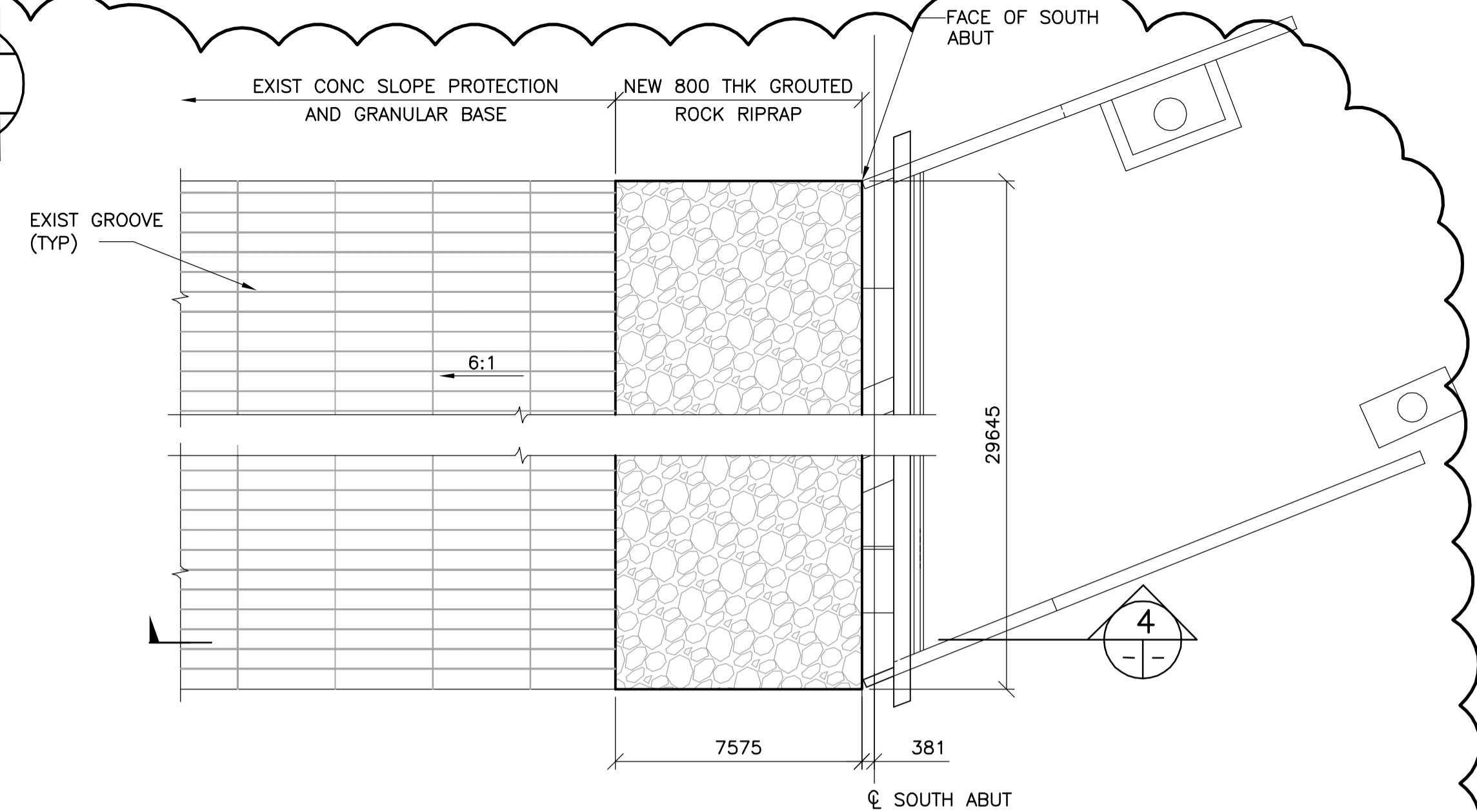
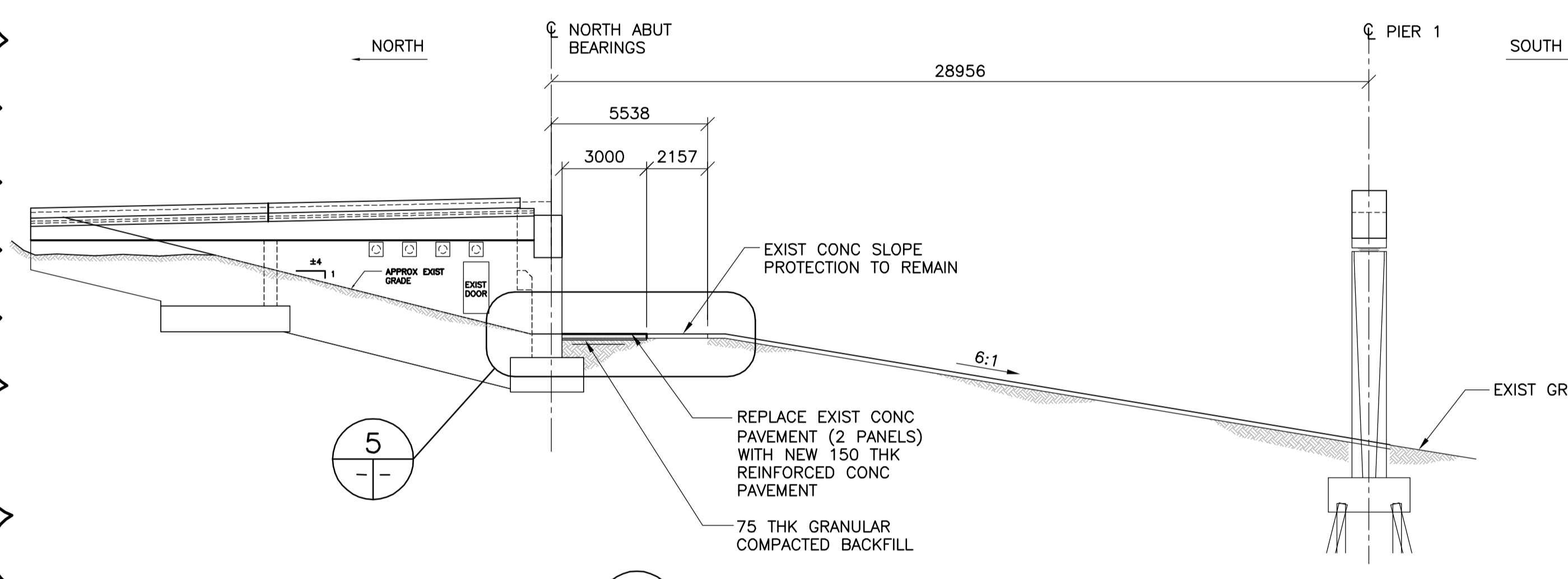


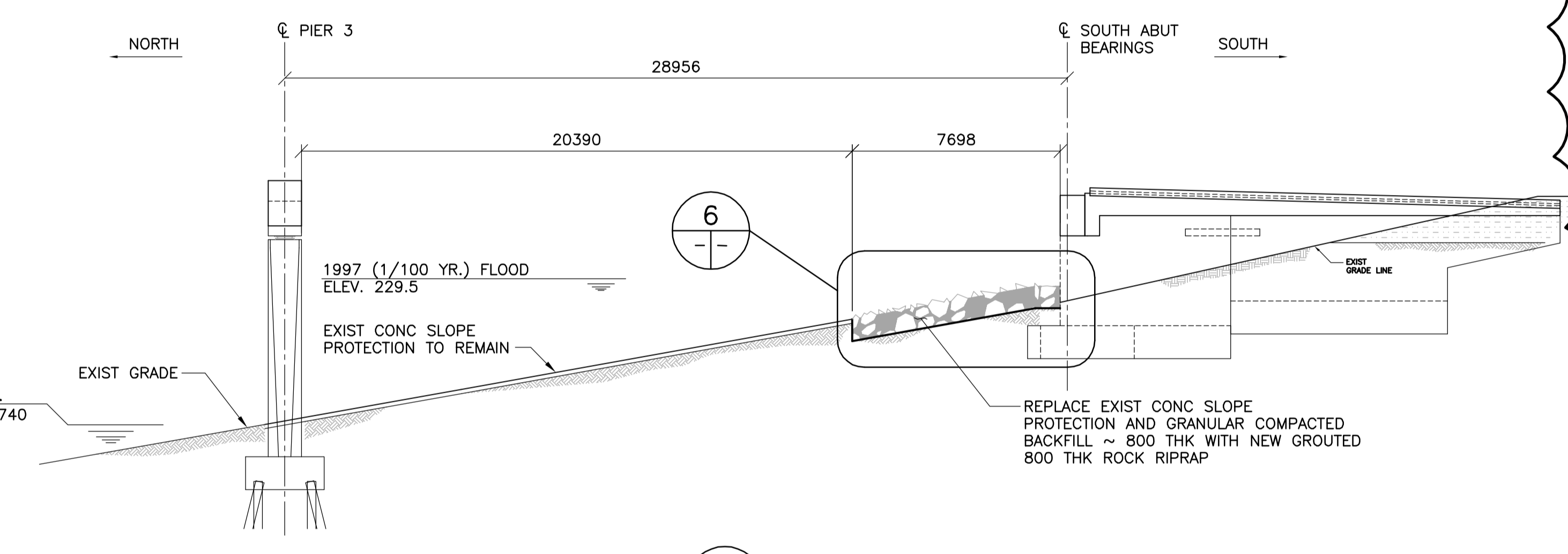
1 PARTIAL PLAN AT NORTH ABUTMENT
 1:150
 - SUPERSTRUCTURE NOT SHOWN FOR CLARITY



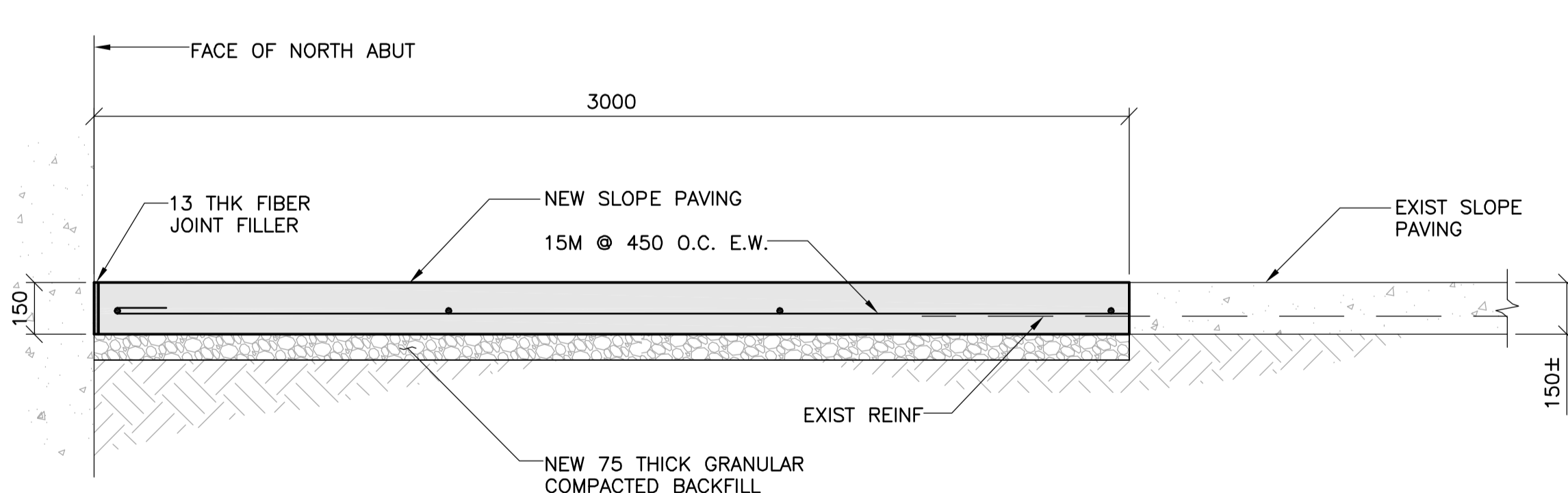
2 PARTIAL PLAN AT SOUTH ABUTMENT
 1:150
 - SUPERSTRUCTURE NOT SHOWN FOR CLARITY



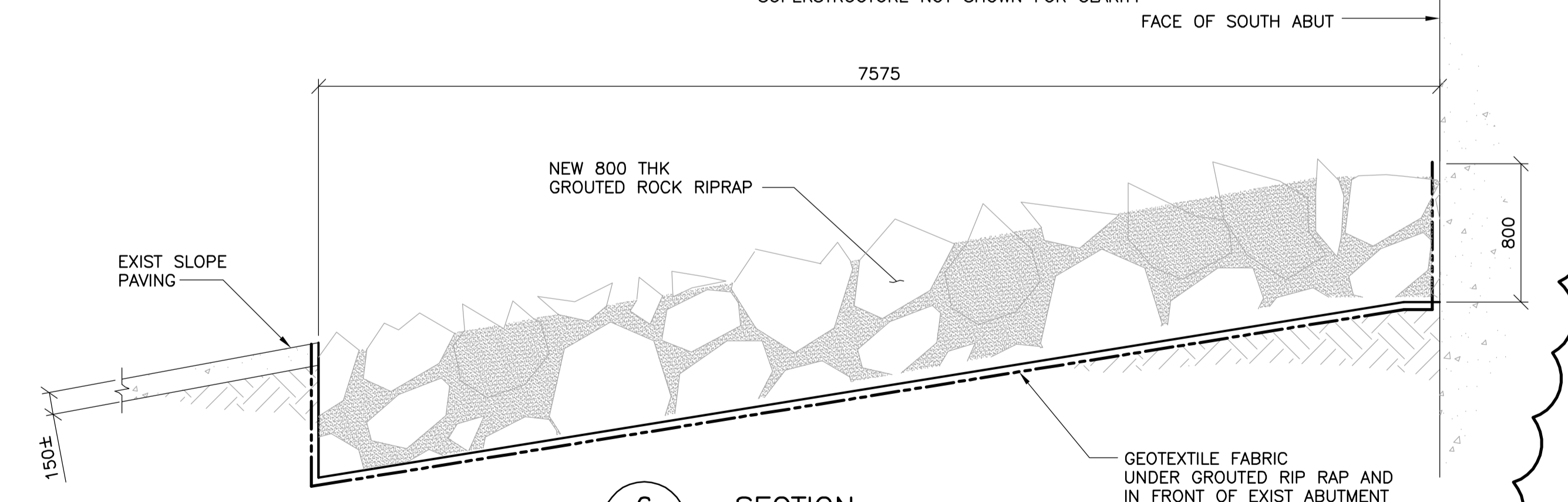
3 SECTION
 1:150
 - SUPERSTRUCTURE NOT SHOWN FOR CLARITY



4 SECTION
 1:150
 - SUPERSTRUCTURE NOT SHOWN FOR CLARITY



5 SECTION
 1:15
 -SHOWING NEW CONCRETE PAVEMENT AT NORTH ABUTMENT



6 SECTION
 1:30
 -SHOWING NEW GROUTED ROCK RIPRAP AT SOUTH ABUTMENT

01



B.M. ELEV.	F.B.	DATE	BY
01	ISSUED FOR ADDENDUM 1	11.03.07	VB
00	ISSUED FOR TENDER	11.02.18	VB
	NO. REVISIONS	DATE	BY

WARDROP
 ATETRA TECH COMPANY

DESIGNED BY: S.Y.	CHECKED BY: V.B.
DRAWN BY: C.T.	APPROVED BY: R.H.W.
HOR. SCALE: AS NOTED	RELEASED FOR CONSTRUCTION DATE: 11.02.18
VERTICAL: AS NOTED	ORIGINAL SIGNED
DATE: 10.10.20	MAT. SHEET, P.E.N.C. BRIDGE PROJECTS ENGINEER

PROVINCE OF MANITOBA
 ORIGINAL SIGNED 11.02.18
V. BANTHIA
 Member 23477
 REGISTERED PROFESSIONAL ENGINEER

THE CITY OF WINNIPEG
 PUBLIC WORKS DEPARTMENT
 ENGINEERING DIVISION

OSBORNE STREET BRIDGE
 REHABILITATION & RELATED WORKS

SLOPE PAVING DETAILS

CITY DRAWING NUMBER: B109-11-113
 SHEET 108 OF 131

CONSULTANT DRAWING NO.: 0900070500-DWG-S0108

108