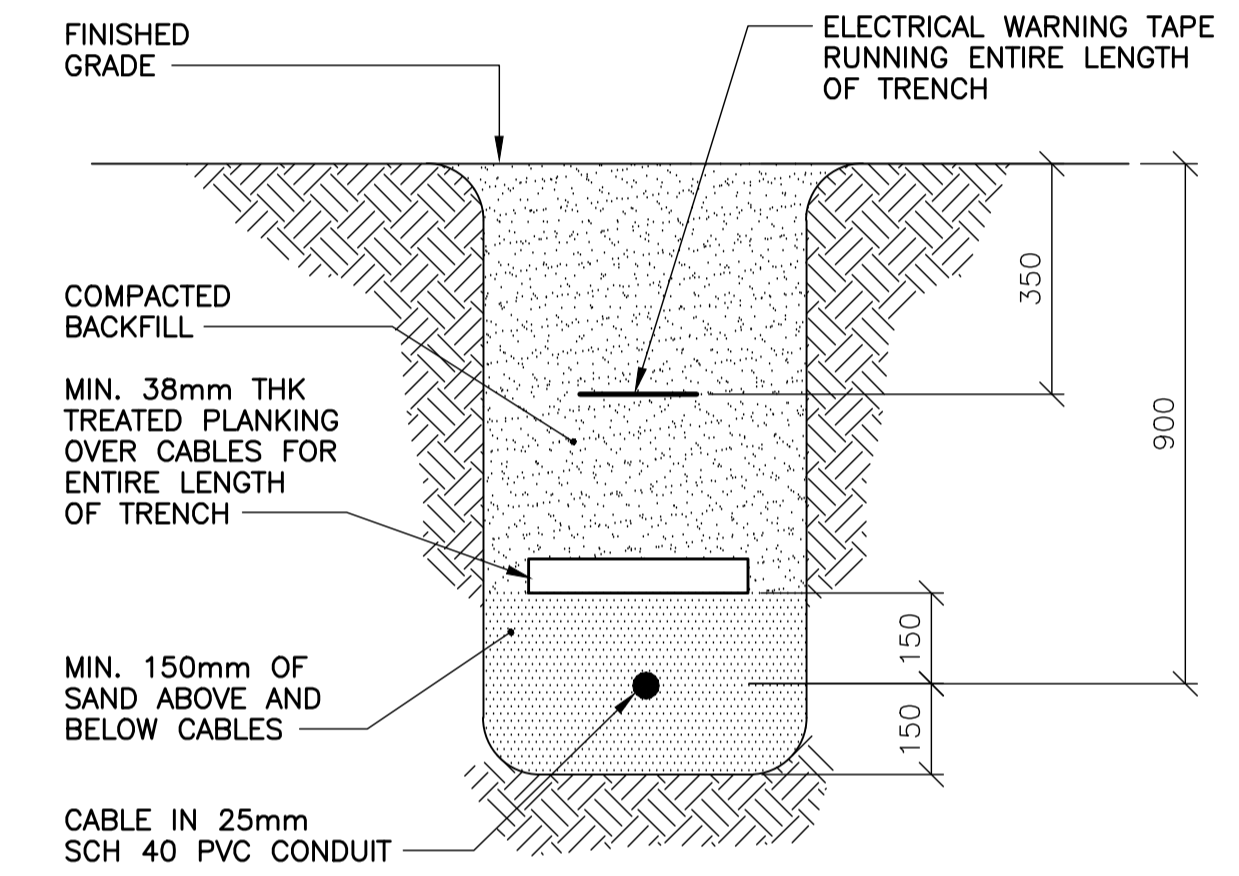


2 UNDERBRIDGE LUMINAIRE WIRING DIAGRAM
N.T.S.

1 UNDERBRIDGE LIGHTING DETAIL - NORTH SIDE
1 : 50
SIMILAR FOR SOUTH SIDE

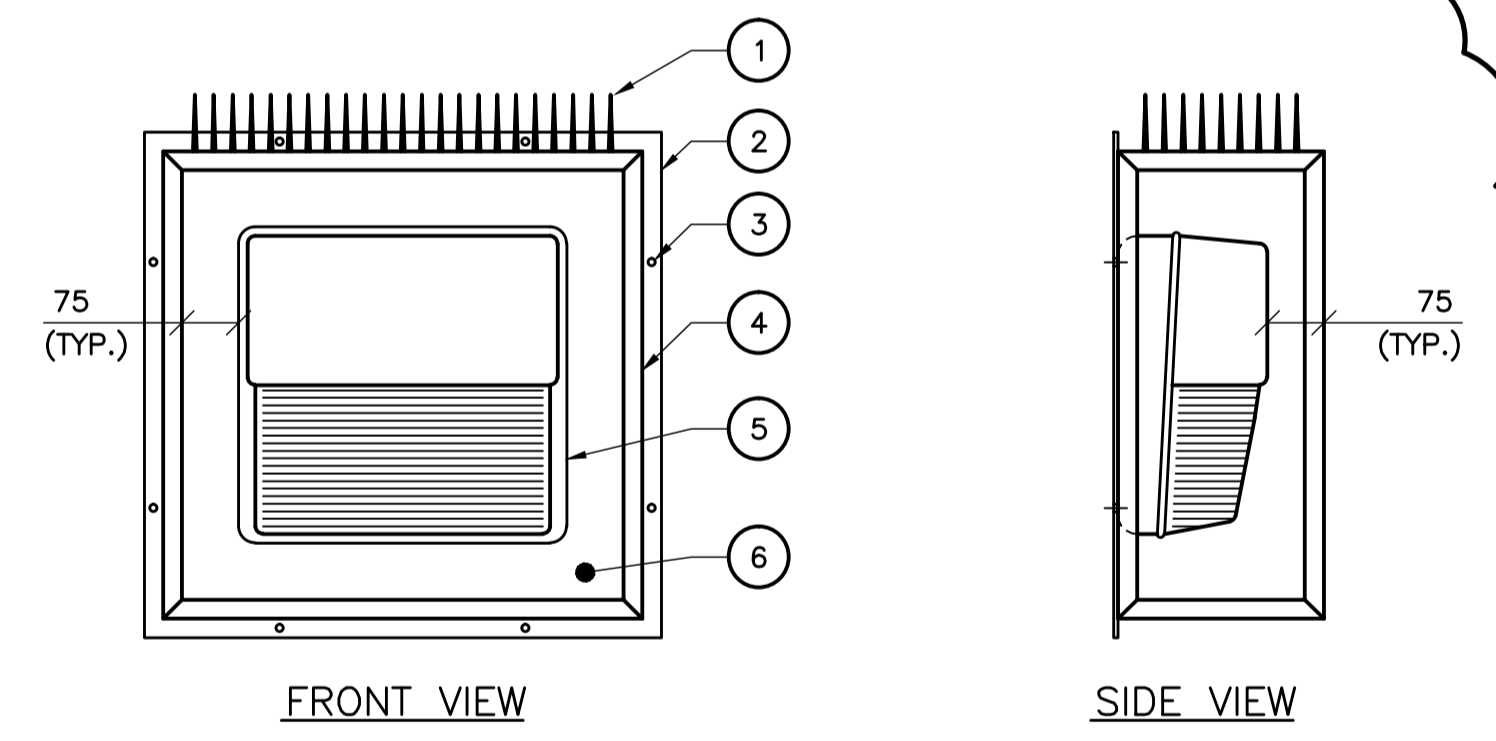


3 TRENCH DETAIL
N.T.S.

15A-1P PHOTOCELL FACING NORTH

100A, 1Ø, 3W C/W 60A MAIN BREAKER

CDP PANEL A		WALL MOUNTED NORTH ABUTMENT	
DESCRIPTION	CCT	BKRS AMP	DESCRIPTION
UNDERBRIDGE LIGHTING (NORTH)	1	15	2
UNDERBRIDGE LIGHTING (SOUTH)	3	15	4
HANDRAIL LIGHTING CONTROL PANEL (WEST)	5	20	6
HANDRAIL LIGHTING CONTROL PANEL (EAST)	7	20	8
NAVIGATION LIGHTS (WEST)	9	15	10
NAVIGATION LIGHTS (EAST)	11	15	12
NORTH ABUTMENT ELECTRICAL ROOM LIGHTS	13	15	14
SPARE	15	15	16
SPARE	17	15	18
SPARE	19	15	20
SPARE	21	15	22
SPARE	23	15	24



4 UNDERBRIDGE LIGHTING VANDAL COVER
1:10

- NOTES:
1. GALVANIZED STEEL SPIKES TO DETER BIRDS AND HUMAN CLIMBING SUPPORT. MOUNTED TO PERFORATED, GALVANIZED STEEL TOP.
 2. GALVANIZED STEEL MOUNTING FRAME C/W STAINLESS FULL LENGTH PIANO HINGE AND STAINLESS STEEL HASP FOR VANDAL COVER. THE CITY OF WINNIPEG WILL PROVIDE A PADLOCK LOCK FOR EACH VANDAL COVER.
 3. MOUNTING POINTS IN FRAME FOR MOUNTING TO EXISTING PIER CONCRETE SURFACE. USE STAINLESS STEEL ANCHORS TO INSTALL FRAME. SILICONE ENTIRE MOUNTING FRAME SURFACE BETWEEN FRAME AND CONCRETE.
 4. WELDED 25mm X 4mm THICK STEEL ANGLE IRON VANDAL COVER FRAME C/W GALVANIZED FINISH HINGED TO MOUNTING FRAME.
 5. FIXTURE TYPE 'C' AS PER LUMINAIRE SCHEDULE ON THIS SHEET.
 6. 4mm THICK MIN. LEXAN SHEETS FOR FRONT, SIDES AND BOTTOM OF VANDAL COVER, SILICONE SEALED TO ANGLE IRON FRAME INTERIOR. DRILL 2x1/4" DRAINAGE HOLES THROUGH BOTTOM COVER.

LUMINAIRE SCHEDULE					
TYPE	MANUFACTURER	CATALOGUE NO.	VOLTAGE	LAMPS	DESCRIPTION/MOUNTING INSTRUCTIONS
A			240V/1Ø	1-250W HPS	POLE MOUNTED LUMINAIRE ON 10.7m ALUMINIUM SPUN DAVIT C/W 1.8m ARM. SUPPLIED, INSTALLED, WIRED, AND CONNECTED BY MANITOBA HYDRO. CONDUIT AND BASES BY THIS CONTRACTOR.
B	MMJ LIGHTING 96	D500LED-FLX-2.2wp	12VDC	1-5.5W LED	VERTICAL PICKET BACK LIGHTING LED LUMINAIRE C/W POWER SUPPLY AND ENCLOSURE ET TRD15012M (150W 12VDC). SUPPLIED, INSTALLED, WIRED, AND CONNECTED BY THIS CONTRACTOR.
C	LITHONIA	TWP-100M-120-CSA-LPI	120V/1Ø	1-100W MH	WALL MOUNTED LUMINAIRE. MOUNT UNIT TO CONCRETE STRUCTURE. INSTALLED IN VANDAL COVER - REFER TO DETAIL 4 ON THIS SHEET. SUPPLIED, INSTALLED, WIRED, AND CONNECTED BY THIS CONTRACTOR.
D	LITHONIA	TWP-70M-120-CSA-LPI	120V/1Ø	1-70W	WALL MOUNTED LUMINAIRE. MOUNT UNIT TO CONCRETE STRUCTURE. SUPPLIED, INSTALLED, WIRED, AND CONNECTED BY THIS CONTRACTOR.

B.M. ELEV.	F.B.				OSBORNE STREET BRIDGE REHABILITATION & RELATED WORKS	CITY DRAWING NUMBER B109-11-121 SHEET 116 OF 131
DESIGNED BY	H.P.C.C.					
DRAWN BY	H.P.C.C.	APPROVED BY	R.H.W.	BRIDGE DETAILS AND PANEL SCHEDULE AND LUMINAIRE SCHEDULE		CONSULTANT DRAWING NO. 0900070502-DWG-E0004
NO.	REVISIONS	DATE	BY	HOR. SCALE: AS NOTED VERTICAL: AS NOTED	RELEASED FOR CONSTRUCTION ORIGINAL SIGNED DATE 11.02.16 MATT CHISLETT, P. ENG. BRIDGE PROJECTS ENGINEER	116

APEGM
Certificate of Authorization
Wardrop Engineering Inc.
No. 195 Date: April 30, 2011