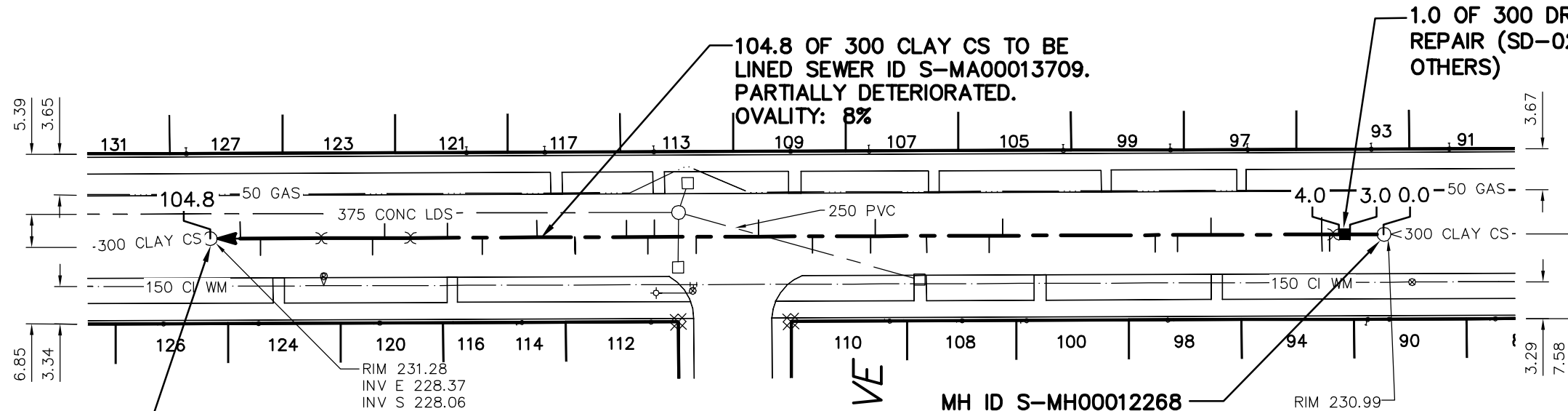


HALLET STREET



MH ID S-MH00012202
MH OPENING - 521Ø
MH RISERS - 750Ø
MH BASE - 1200Ø

SEWER JUNCTION INFORMATION FROM SEWER VIDEO INSPECTION
SEWER ID S-MA00013709

DISTANCE FROM MH ID S-MH00012201				
DISTANCE	DIRECTION	DIAMETER	CLOCK	CODE
2.7	NORTH	150	10	JN
4.5	SOUTH	150	2	JN
14.5	SOUTH	150	2	JX
15.6	NORTH	100	11	JN
21.2	NORTH	150	10	JX
24.3	SOUTH	150	2	JN
29.2	NORTH	150	9	JX
32.6	SOUTH	150	2	JX
37.2	NORTH	150	10	JX
39.1	SOUTH	150	2	JX
39.7	NORTH	150	10	JX
43.4	SOUTH	150	2	CN
49.0	NORTH	150	10	JN
53.8	SOUTH	150	2	JX
59.0	SOUTH	150	1	CX
59.4	NORTH	150	10	CX
64.0	SOUTH	150	2	JN
69.6	SOUTH	150	1	CXI
70.8	NORTH	150	10	JX
84.4	SOUTH	150	2	JX
86.4	NORTH	150	10	JX
89.4	NORTH	150	9	JN
99.3	SOUTH	150	10	JX
99.3	SOUTH	150	2	CXI
100.0	SOUTH	150	2	JN

MH ID S-MH00012268
MH OPENING - 521Ø
MH RISERS - 750Ø
MH BASE - 1200Ø

RIM 230.99
 INV E 228.55
 INV W 228.59

SEWER JUNCTION INFORMATION FROM SEWER VIDEO INSPECTION
SEWER ID S-MA00013709
 DISTANCE FROM MH ID S-MH00012268
 NO SERVICE JUNCTIONS
 REVERSAL REQUIRED

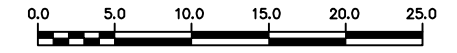
WARNING

IF POWER EQUIPMENT OR EXPLOSIVES ARE TO BE USED FOR EXCAVATION ON THIS PROJECT THE CONTRACTOR MUST:

- 1) NOTIFY THE GAS COMPANY OF THE PROPOSED LOCATION OF EXCAVATION.
- 2) TAKE PRECAUTION TO AVOID DAMAGE TO GAS COMPANY INSTALLATIONS.

SEE PROVINCIAL REGULATION 210/72 FOR DETAILS

METRIC
 WHOLE NUMBERS INDICATE MILLIMETRES
 DECIMALIZED NUMBERS INDICATE METRES



LOCATION APPROVED UNDERGROUND STRUCTURES SUPV. U/G STRUCTURES COMMITTEE _____ DATE _____ NOTE: LOCATION OF UNDERGROUND STRUCTURES AS SHOWN ARE BASED ON THE BEST INFORMATION AVAILABLE BUT NO GUARANTEE IS GIVEN THAT ALL EXISTING UTILITIES ARE SHOWN OR THAT THE GIVEN LOCATIONS ARE EXACT. CONFIRMATION OF EXISTENCE AND EXACT LOCATION OF ALL SERVICES MUST BE OBTAINED FROM THE INDIVIDUAL UTILITIES BEFORE PROCEEDING WITH CONSTRUCTION.	B.M. ELEV. CONSTRUCTION COMPLETION DATE: YYYY MM DD <table border="1" style="width:100%; height: 40px;"> <tr><td> </td><td> </td><td> </td><td> </td></tr> </table>					ENGINEER'S SEAL ORIGINAL SIGNED BY S.R.J. COURNOYER NOV. 21, 2011 CONSULTANT DRAWING NUMBER _____	<p>THE CITY OF WINNIPEG WATER AND WASTE DEPARTMENT ENGINEERING DIVISION</p> <p>2011 SEWER RENEWALS BY CIPP LINING HALLET STREET 1ST MH S OF REX AVENUE TO 1ST MH N OF REX AVENUE</p>	SHEET 32 OF 95 CITY DRAWING NUMBER <p style="font-size: 24pt; text-align: center;">9649</p>
DESIGNED BY: SC CHECKED BY: SC DRAWN BY: RS APPROVED BY: KZ SCALE: HORIZONTAL 1:500 VERTICAL RELEASED FOR CONSTRUCTION SIGNED BY K.R. ZUREK DATE: 2011 11 23	NO. REVISIONS DATE BY <table border="1" style="width:100%; height: 40px;"> <tr><td> </td><td> </td><td> </td><td> </td></tr> </table> DATE: 2011 11 23 PLOT DATE: 2011 11 23					DATE: 2011 11 23 DATE: 2011 11 23	FILE PATH: R:\DRAWINGS\SEWER\2011_RENEWALS\2011_CIPP LININGS\CONTRACT 2\CIPP DRAWINGS\ FILE NAME: 9649.dwg	