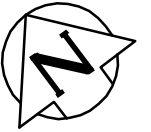
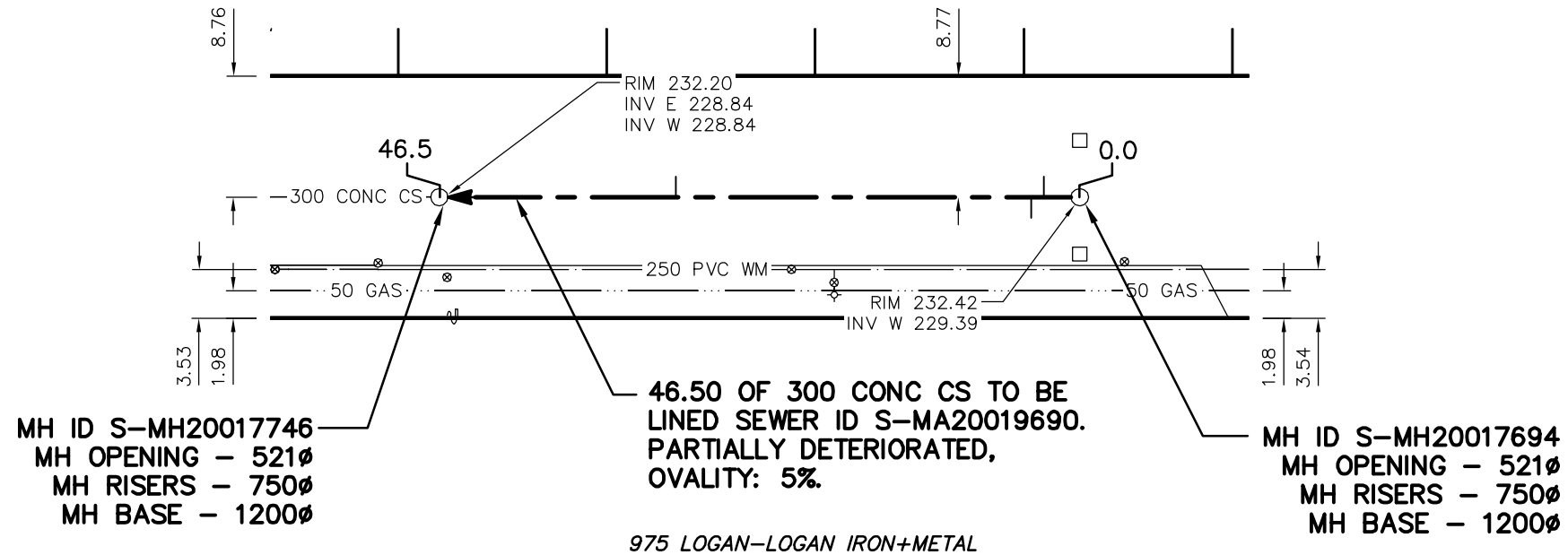


# HENRY AVENUE



999 HENRY-INTERNATIONAL PAPER INDUSTRIES



±42 m TO MAUDE AVE

### WARNING

IF POWER EQUIPMENT OR EXPLOSIVES ARE TO BE USED FOR EXCAVATION ON THIS PROJECT THE CONTRACTOR MUST:

- 1) NOTIFY THE GAS COMPANY OF THE PROPOSED LOCATION OF EXCAVATION.
- 2) TAKE PRECAUTION TO AVOID DAMAGE TO GAS COMPANY INSTALLATIONS.

SEE PROVINCIAL REGULATION 210/72 FOR DETAILS

### SEWER JUNCTION INFORMATION FROM SEWER VIDEO INSPECTION

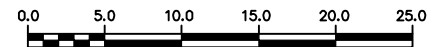
SEWER ID S-MA20019690

DISTANCE FROM MH ID S-MH20017694

DISTANCE	DIRECTION	DIAMETER	CLOCK	CODE
2.6	NORTH	150	2	JN
3.5	SOUTH	150	10	JN
29.2	NORTH	150	3	JN

### METRIC

WHOLE NUMBERS INDICATE MILLIMETRES  
DECIMALIZED NUMBERS INDICATE METRES



LOCATION APPROVED  
UNDERGROUND STRUCTURES

SUPV. U/G STRUCTURES COMMITTEE DATE

NOTE:

LOCATION OF UNDERGROUND STRUCTURES AS SHOWN ARE BASED ON THE BEST INFORMATION AVAILABLE BUT NO GUARANTEE IS GIVEN THAT ALL EXISTING UTILITIES ARE SHOWN OR THAT THE GIVEN LOCATIONS ARE EXACT. CONFIRMATION OF EXISTENCE AND EXACT LOCATION OF ALL SERVICES MUST BE OBTAINED FROM THE INDIVIDUAL UTILITIES BEFORE PROCEEDING WITH CONSTRUCTION.

B.M. ELEV.			
CONSTRUCTION COMPLETION DATE: YYYY MM DD			
NO.	REVISIONS	DATE	BY

DESIGNED BY	SC	CHECKED BY	SC
DRAWN BY	RS	APPROVED BY	KZ
SCALE:	1:500	RELEASED FOR CONSTRUCTION	SIGNED BY K.R. ZUREK
HORIZONTAL		DATE	2011 11 23
VERTICAL		DATE	2011 11 23

ENGINEER'S SEAL  
ORIGINAL SIGNED BY  
S.R.J. COURNOYER  
NOV. 21, 2011

CONSULTANT DRAWING NUMBER  
-



**THE CITY OF WINNIPEG**  
WATER AND WASTE DEPARTMENT  
ENGINEERING DIVISION

2011 SEWER RENEWALS  
BY CIPP LINING  
**HENRY AVENUE**  
2ND MH W OF MAUDE AVENUE TO  
1ST MH E OF MAUDE AVENUE

SHEET 34 OF 95  
CITY DRAWING NUMBER  
9651

PLOT DATE: 2011 11 23

BID OPPORTUNITY: 811-2011  
CONTRACT NUMBER: 19

FILE PATH: R:\DRAWINGS\SEWER\2011\_RENEWALS\2011 CIPP LININGS\CONTRACT 2\CIPP DRAWINGS\  
FILE NAME: 9651.dwg