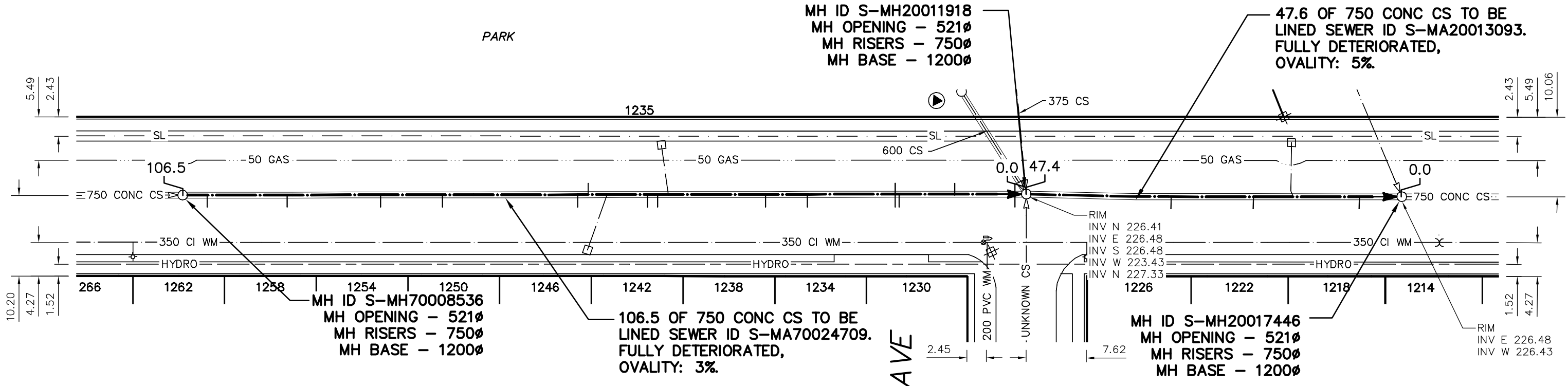
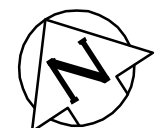


# LOGAN AVE



SEWER JUNCTION INFORMATION FROM SEWER VIDEO INSPECTION  
SEWER ID S-MA70024709

DISTANCE FROM MH ID S-MH70008536

| DISTANCE | DIRECTION | DIAMETER | CLOCK | CODE |
|----------|-----------|----------|-------|------|
| 3.1      | SOUTH     | 150      | 1     | CN   |
| 13.2     | SOUTH     | 150      | 2     | CN   |
| 25.0     | SOUTH     | 150      | 2     | CN   |
| 32.8     | SOUTH     | 150      | 2     | CN   |
| 49.9     | SOUTH     | 150      | 2     | CN   |
| 51.2     | NORTH     | 150      | 10    | CN   |
| 58.7     | SOUTH     | 150      | 3     | CN   |
| 60.0     | SOUTH     | 150      | 1     | CN   |
| 73.6     | SOUTH     | 150      | 2     | CNI  |
| 78.9     | SOUTH     | 150      | 1     | CN   |
| 90.0     | SOUTH     | 150      | 3     | CN   |
| 90.0     | NORTH     | 150      | 9     | CN   |
| 90.5     | SOUTH     | 150      | 1     | CN   |
| 97.5     | NORTH     | 150      | 9     | CN   |
| 105.1    | TOP       | 150      | 12    | CN   |

SEWER JUNCTION INFORMATION FROM SEWER VIDEO INSPECTION  
SEWER ID S-MA20013093

DISTANCE FROM MH ID S-MH20011918

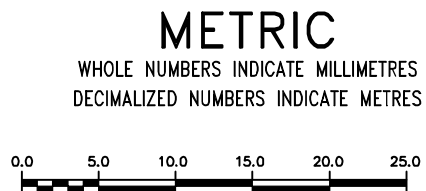
| DISTANCE | DIRECTION | DIAMETER | CLOCK | CODE |
|----------|-----------|----------|-------|------|
| 18.3     | SOUTH     | 100      | 2     | CN   |
| 28.7     | SOUTH     | 100      | 2     | CN   |
| 33.7     | NORTH     | 100      | 11    | CN   |
| 42.1     | SOUTH     | 100      | 2     | CN   |

**WARNING**

IF POWER EQUIPMENT OR EXPLOSIVES ARE TO BE USED FOR EXCAVATION ON THIS PROJECT THE CONTRACTOR MUST:

- 1) NOTIFY THE GAS COMPANY OF THE PROPOSED LOCATION OF EXCAVATION.
- 2) TAKE PRECAUTION TO AVOID DAMAGE TO GAS COMPANY INSTALLATIONS.

SEE PROVINCIAL REGULATION 210/72 FOR DETAILS



|   |   |   |             |    |            |    |          |    |             |    |        |  |                           |  |            |       |                             |  |          |  |      |            |   |  |   |
|---|---|---|-------------|----|------------|----|----------|----|-------------|----|--------|--|---------------------------|--|------------|-------|-----------------------------|--|----------|--|------|------------|---|--|---|
| <p>LOCATION APPROVED<br/>UNDERGROUND STRUCTURES</p> <p>SUPV. U/G STRUCTURES COMMITTEE _____ DATE _____</p> <p>NOTE:<br/>LOCATION OF UNDERGROUND STRUCTURES AS SHOWN ARE BASED ON THE BEST INFORMATION AVAILABLE BUT NO GUARANTEE IS GIVEN THAT ALL EXISTING UTILITIES ARE SHOWN OR THAT THE GIVEN LOCATIONS ARE EXACT. CONFIRMATION OF EXISTENCE AND EXACT LOCATION OF ALL SERVICES MUST BE OBTAINED FROM THE INDIVIDUAL UTILITIES BEFORE PROCEEDING WITH CONSTRUCTION.</p> | <p>B.M. ELEV. _____</p> <p>CONSTRUCTION COMPLETION DATE: YYYY MM DD _____</p> | <table border="1" style="width:100%; border-collapse: collapse;"> <tr> <td>DESIGNED BY</td> <td>SC</td> <td>CHECKED BY</td> <td>SC</td> </tr> <tr> <td>DRAWN BY</td> <td>RS</td> <td>APPROVED BY</td> <td>KZ</td> </tr> <tr> <td>SCALE:</td> <td></td> <td>RELEASED FOR CONSTRUCTION</td> <td></td> </tr> <tr> <td>HORIZONTAL</td> <td>1:500</td> <td><b>SIGNED BY K.R. ZUREK</b></td> <td></td> </tr> <tr> <td>VERTICAL</td> <td></td> <td>DATE</td> <td>2011 11 23</td> </tr> </table> <p>PLOT DATE: 2011 11 23</p> | DESIGNED BY | SC | CHECKED BY | SC | DRAWN BY | RS | APPROVED BY | KZ | SCALE: |  | RELEASED FOR CONSTRUCTION |  | HORIZONTAL | 1:500 | <b>SIGNED BY K.R. ZUREK</b> |  | VERTICAL |  | DATE | 2011 11 23 | <p>ENGINEER'S SEAL</p> <p><b>ORIGINAL SIGNED BY</b><br/>S.R.J. COURNOYER<br/>NOV. 21, 2011</p> <p>CONSULTANT DRAWING NUMBER _____</p> | <p><b>THE CITY OF WINNIPEG</b><br/>WATER AND WASTE DEPARTMENT<br/>ENGINEERING DIVISION</p> <p>2011 SEWER RENEWALS<br/>BY CIPP LINING<br/><b>LOGAN AVENUE</b><br/>1ST MH E OF BLAINE STREET TO<br/>1ST MH E OF WINKS STREET</p> | <p>SHEET <b>48</b> OF <b>95</b></p> <p>CITY DRAWING NUMBER</p> <p><b>9665</b></p> |
| DESIGNED BY   | SC  | CHECKED BY  | SC          |    |            |    |          |    |             |    |        |  |                           |  |            |       |                             |  |          |  |      |            |   |  |   |
| DRAWN BY  | RS  | APPROVED BY   | KZ          |    |            |    |          |    |             |    |        |  |                           |  |            |       |                             |  |          |  |      |            |   |  |   |
| SCALE:  |   | RELEASED FOR CONSTRUCTION   |             |    |            |    |          |    |             |    |        |  |                           |  |            |       |                             |  |          |  |      |            |   |  |   |
| HORIZONTAL  | 1:500   | <b>SIGNED BY K.R. ZUREK</b>   |             |    |            |    |          |    |             |    |        |  |                           |  |            |       |                             |  |          |  |      |            |   |  |   |
| VERTICAL  |   | DATE  | 2011 11 23  |    |            |    |          |    |             |    |        |  |                           |  |            |       |                             |  |          |  |      |            |   |  |   |