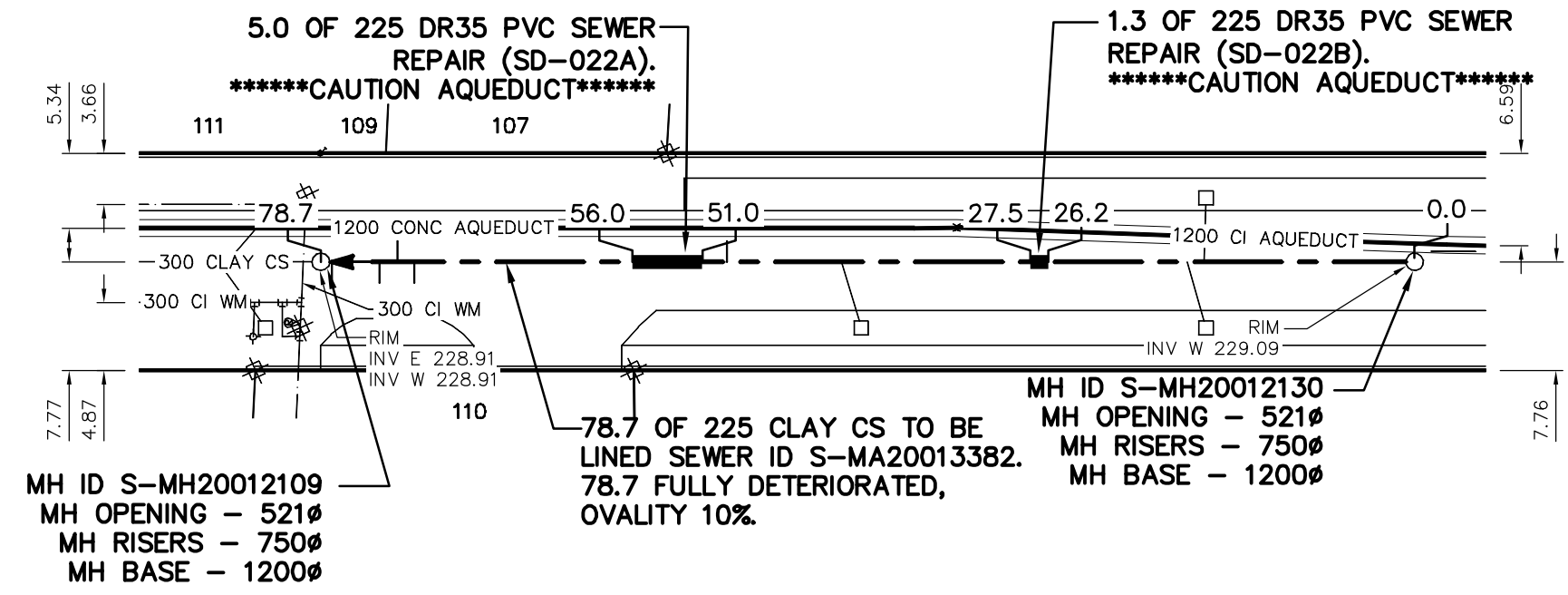


# PACIFIC AVE



### WARNING

IF POWER EQUIPMENT OR EXPLOSIVES ARE TO BE USED FOR EXCAVATION ON THIS PROJECT THE CONTRACTOR MUST:

- 1) NOTIFY THE GAS COMPANY OF THE PROPOSED LOCATION OF EXCAVATION.
- 2) TAKE PRECAUTION TO AVOID DAMAGE TO GAS COMPANY INSTALLATIONS.

SEE PROVINCIAL REGULATION 210/72 FOR DETAILS

SEWER JUNCTION INFORMATION FROM SEWER VIDEO INSPECTION  
SEWER ID S-MA20013382

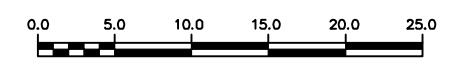
DISTANCE FROM MH ID S-MH20012109				
DISTANCE	DIRECTION	DIAMETER	CLOCK	CODE
0.8	NORTH	150	9	JN
4.2	NORTH	150	9	JN
5.5	SOUTH	150	2	JN
6.7	NORTH	150	9	JN
29.1	NORTH	150	10	CNI
37.3	SOUTH	225	3	JX

SEWER JUNCTION INFORMATION FROM SEWER VIDEO INSPECTION  
SEWER ID S-MA20013382

DISTANCE FROM MH ID S-MH20012130				
DISTANCE	DIRECTION	DIAMETER	CLOCK	CODE
15.1	NORTH	225	3	JN
16.3	SOUTH	150	10	CXI

### METRIC

WHOLE NUMBERS INDICATE MILLIMETRES  
DECIMALIZED NUMBERS INDICATE METRES



LOCATION APPROVED  
UNDERGROUND STRUCTURES

SUPV. U/G STRUCTURES COMMITTEE DATE

NOTE:  
LOCATION OF UNDERGROUND STRUCTURES AS SHOWN ARE BASED ON THE BEST INFORMATION AVAILABLE BUT NO GUARANTEE IS GIVEN THAT ALL EXISTING UTILITIES ARE SHOWN OR THAT THE GIVEN LOCATIONS ARE EXACT. CONFIRMATION OF EXISTENCE AND EXACT LOCATION OF ALL SERVICES MUST BE OBTAINED FROM THE INDIVIDUAL UTILITIES BEFORE PROCEEDING WITH CONSTRUCTION.

B.M. ELEV.			
CONSTRUCTION COMPLETION DATE: YYYY MM DD			
NO.	REVISIONS	DATE	BY

DESIGNED BY	SC	CHECKED BY	SC
DRAWN BY	RS	APPROVED BY	KZ
SCALE:	1:500	RELEASED FOR CONSTRUCTION	SIGNED BY K.R. ZUREK
HORIZONTAL		DATE	2011 11 23
VERTICAL		DATE	2011 11 23

ENGINEER'S SEAL  
  
ORIGINAL SIGNED BY  
S.R.J. COURNOYER  
NOV. 21, 2011  
  
CONSULTANT DRAWING NUMBER



**THE CITY OF WINNIPEG**  
WATER AND WASTE DEPARTMENT  
ENGINEERING DIVISION

2011 SEWER RENEWALS  
BY CIPP LINING  
**PACIFIC STREET**  
2ND MH E OF LILY STREET TO  
1ST MH E OF LILY STREET

SHEET OF  
CITY DRAWING NUMBER  
**9669**

PLOT DATE: 2011 11 23

BID OPPORTUNITY: 811-2011  
CONTRACT NUMBER: 19

FILE PATH: R:\DRAWINGS\SEWER\2011\_RENEWALS\2011\_CIPP LININGS\CONTRACT 2\CIPP DRAWINGS\  
FILE NAME: 9669.dwg