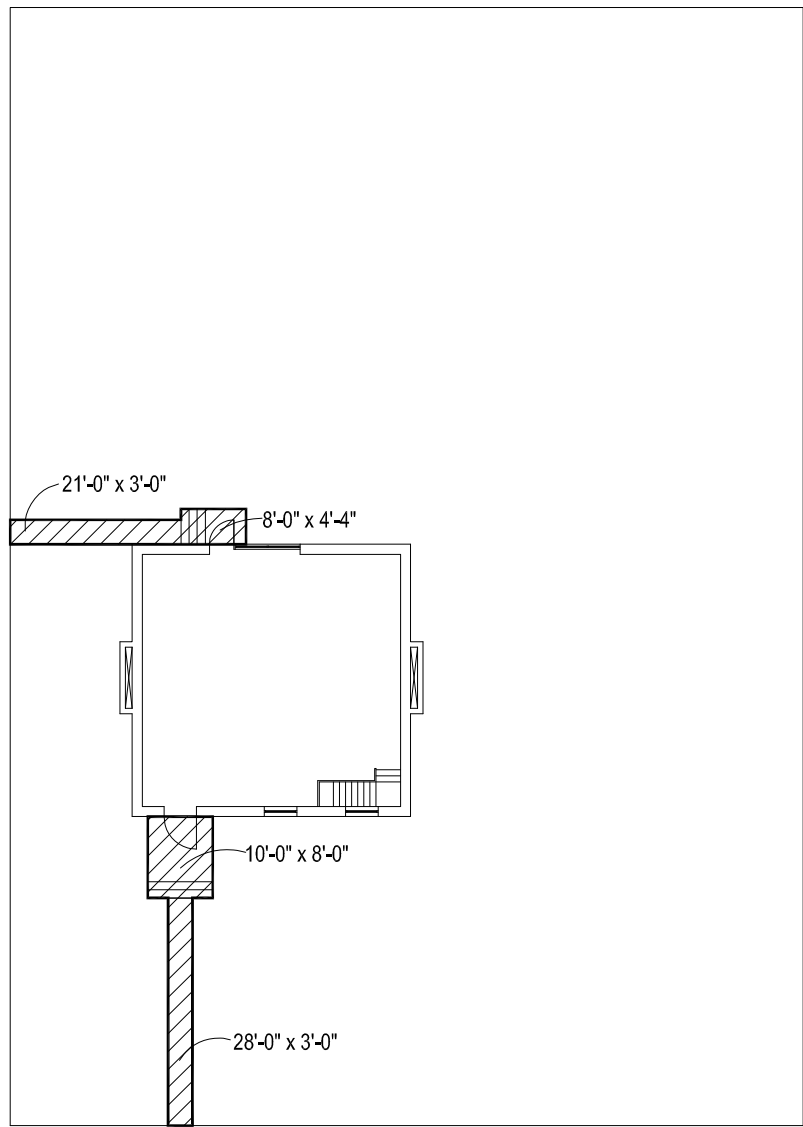




LANE

JESSIE AVENUE



OSBORNE STREET




TOTAL AREA TO BE CLEARED OF SNOW = 262 S.F.

FLOOR PLAN UPDATED MAY 5/04

NO.	REVISION/DESCRIPTION	BY	DATE
SEALS			

DRAWN BY	CHECKED BY	APPROVED
DATE: 2011.08.30	USER APPROVAL	


 THE CITY OF WINNIPEG  
 PLANNING, PROPERTY AND  
 DEVELOPMENT DEPARTMENT  
 3-65 GARRY STREET  
 PROJECT R3C 4K4

265 OSBORNE

SHEET TITLE

**SITE PLAN: SNOW CLEARING**

0265ossp

SCALE	PROJECT NO.	SHEET NO.
NOT TO SCALE	817-2011	