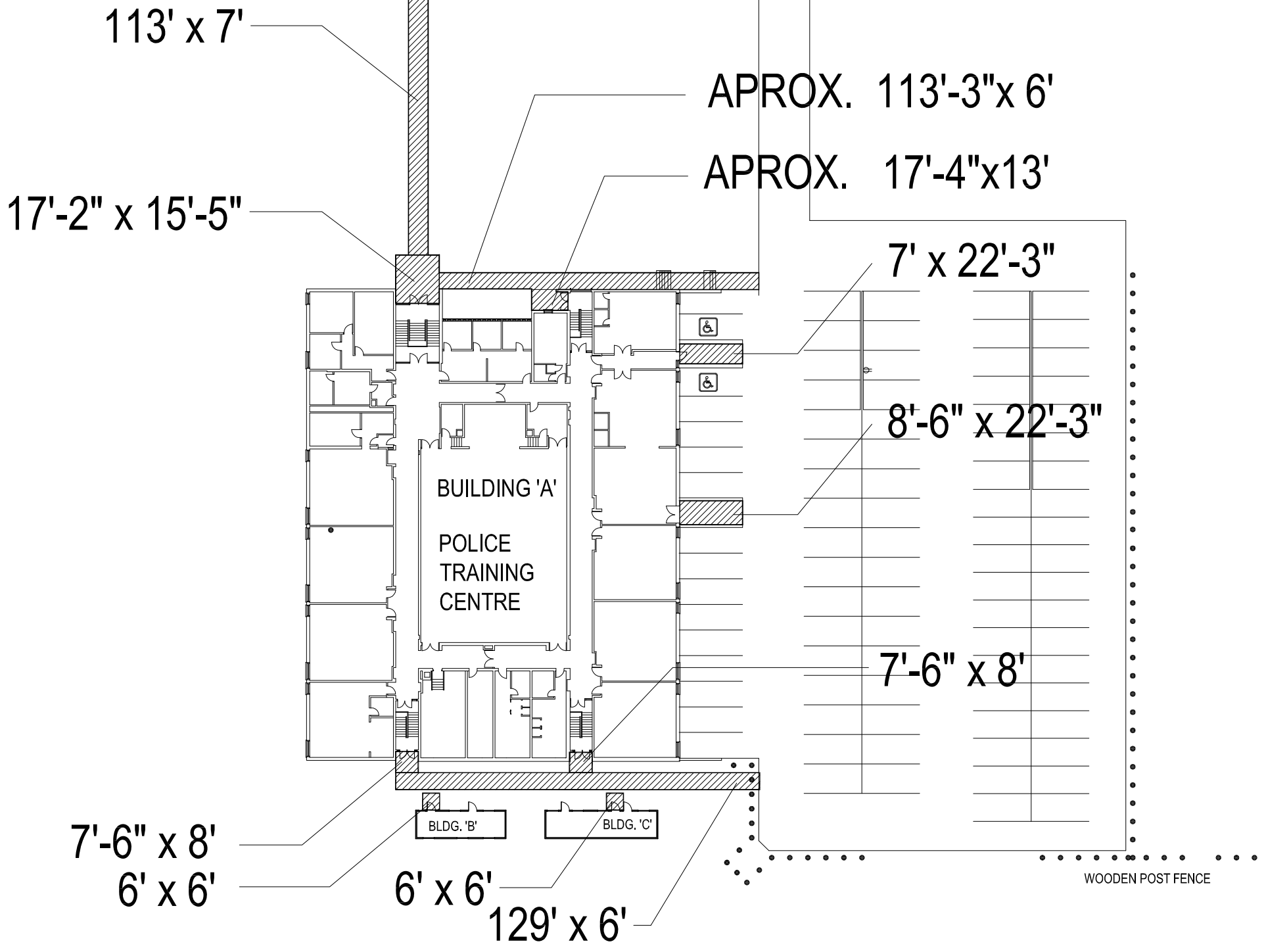


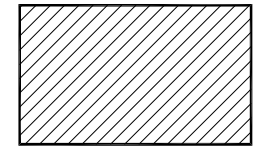
FILE NAME: XXXXXXXX-XX-00.dwg | DATE: YEAR.MM.DD | DESCRIPTION: SITE PLAN | PROJECT No: XXXXXXXX-XX | ADDRESS: 130 ALLARD

NOTES :

ALLARD STREET




AREA OF SNOW REMOVAL = 3,129 SQ. FT.



NO.	REVISION/DESCRIPTION	BY	DATE
SEALS			

DRAWN BY	CAD	CHECKED BY	APPROVED
DATE		USER APPROVAL	


CITY OF WINNIPEG
 PLANNING, PROPERTY AND
 DEVELOPMENT DEPARTMENT
 CIVIC ACCOMMODATIONS DIVISION
 300 - 65 GARRY ST. R3C 4K4

PROJECT
 POLICE TRAINING CENTRE

130 ALLARD
 SHEET TITLE
 SITE PLAN
 SNOW REMOVAL
 0130ALSP

SCALE	PROJECT NO.	SHEET NO.
AS SHOWN	817-2011	A1