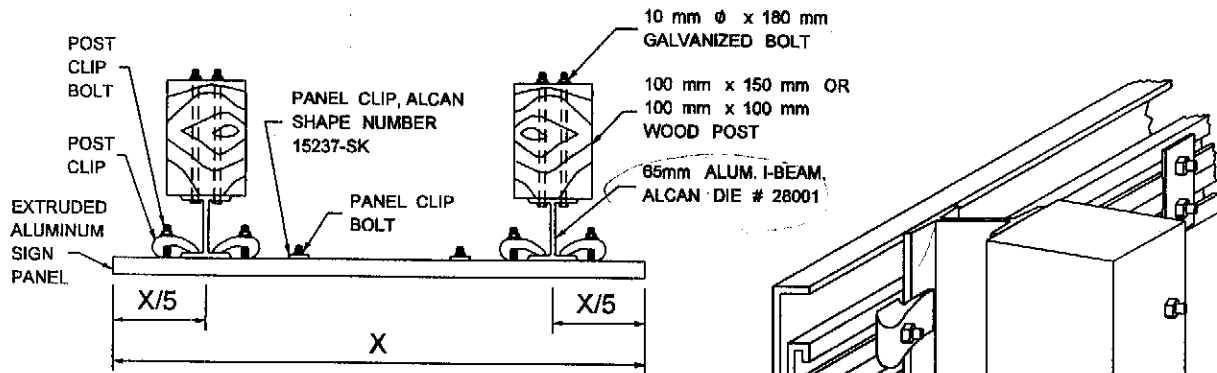


PANEL SIGN INSTALLATION  
ON WOOD POST

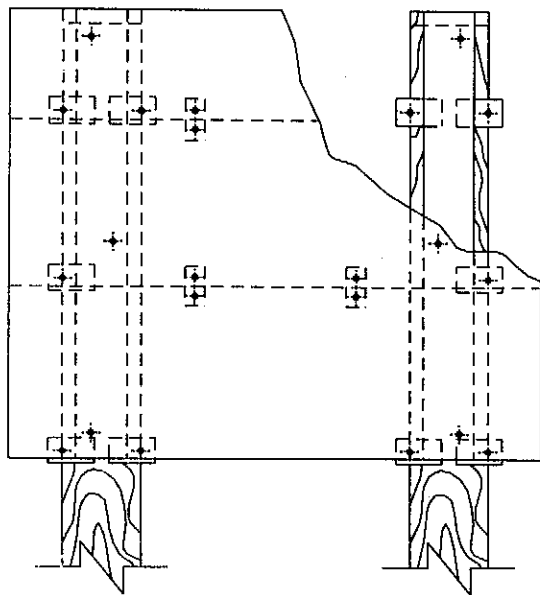
Traffic Engineering

ISSUE DATE: APRIL 1993

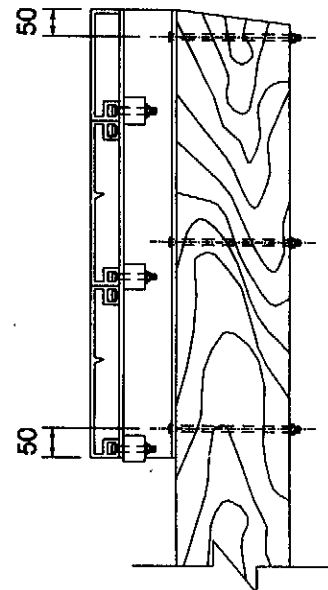
SC-4



TOP VIEW



FRONT VIEW



SIDE VIEW

13 SIGNS (4' x 8') each.