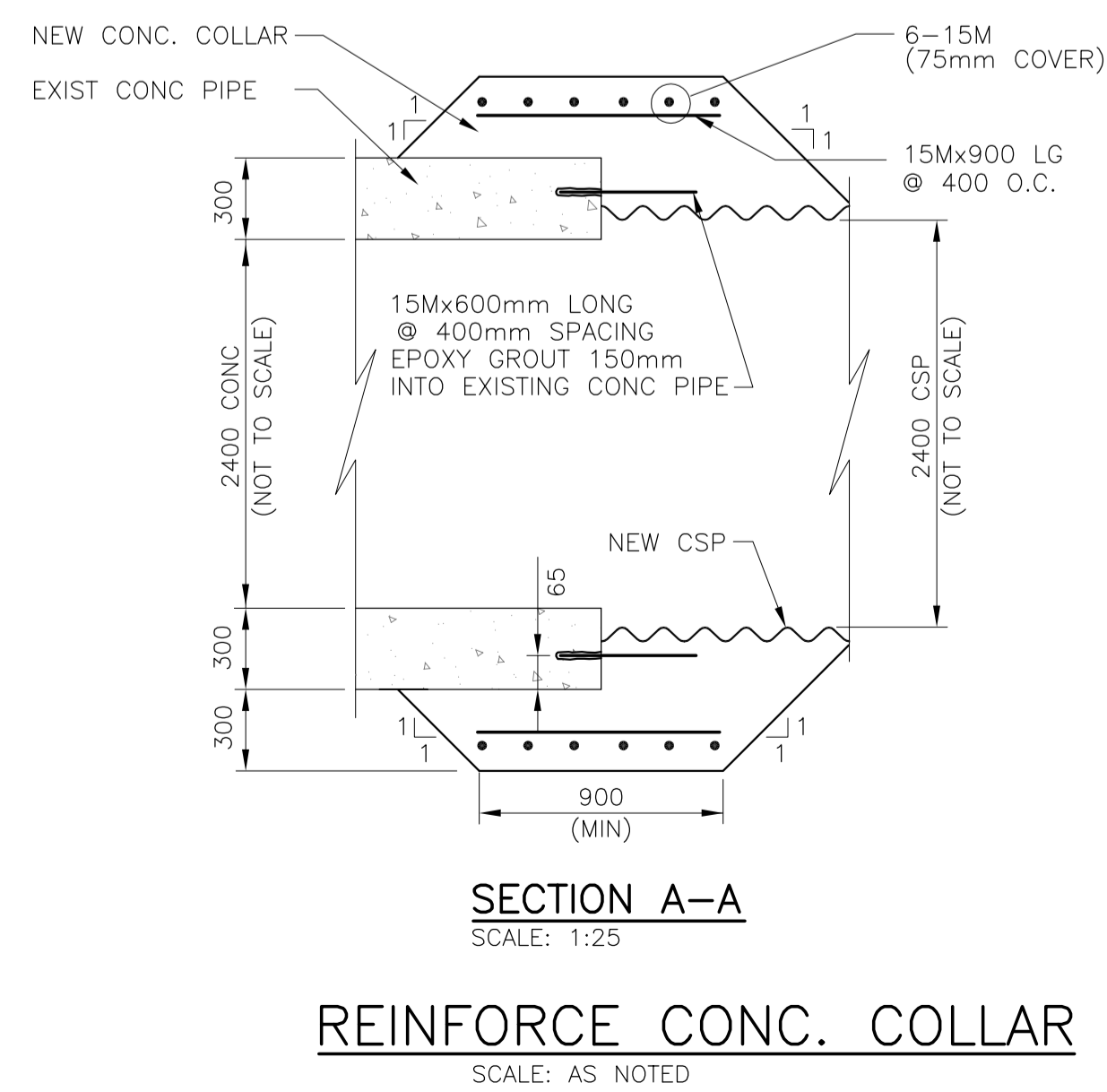
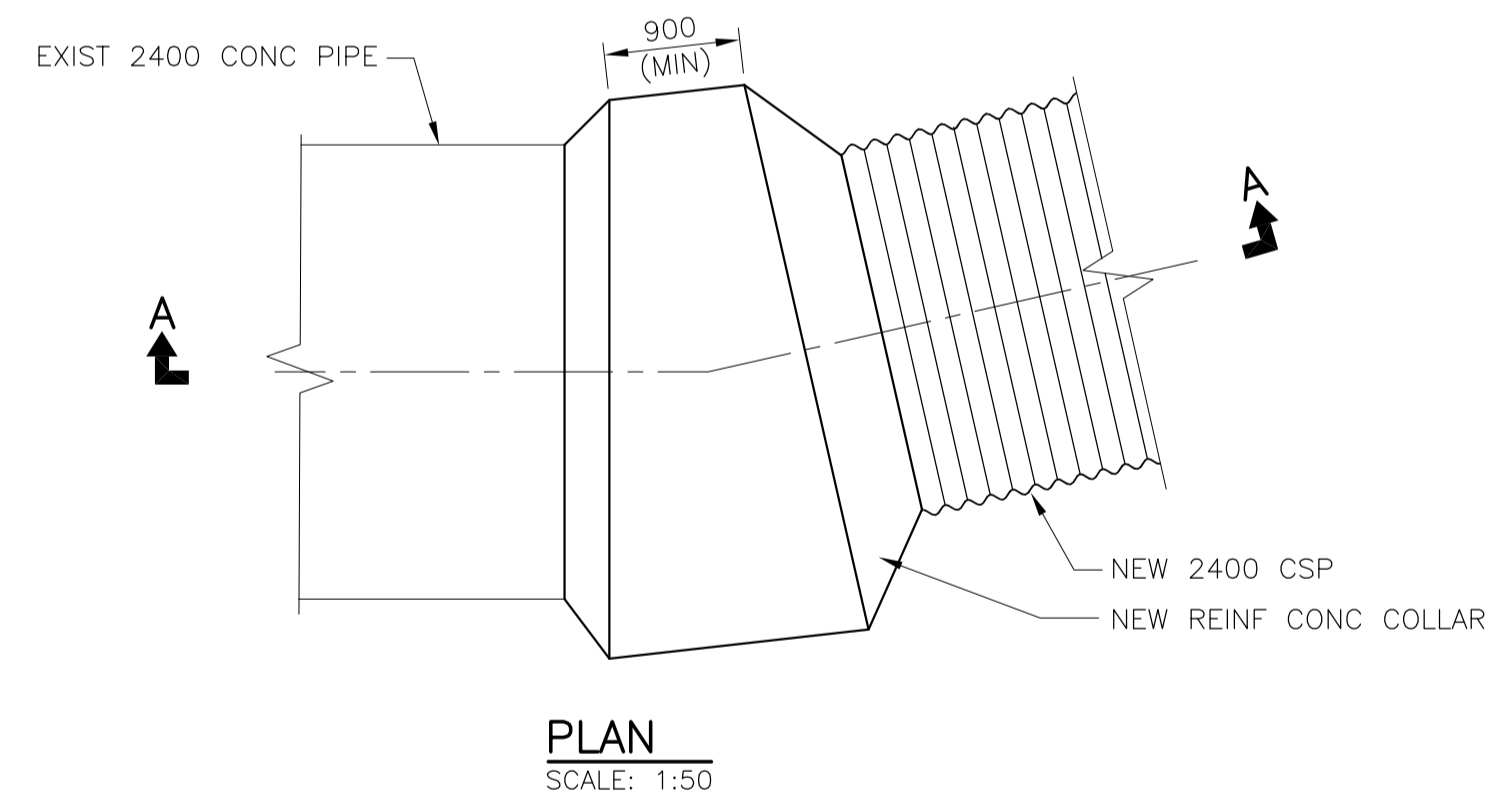


INTERNAL SLIP JOINT DETAILS
SCALE: N.T.S.



LOCATION APPROVED UNDERGROUND STRUCTURES

SUPV. U/G STRUCTURES COMMITTEE DATE

NOTE:
LOCATION OF UNDERGROUND STRUCTURES AS SHOWN ARE BASED ON THE BEST INFORMATION AVAILABLE BUT NO GUARANTEE IS GIVEN THAT ALL EXISTING UTILITIES ARE SHOWN OR THAT THE GIVEN LOCATIONS ARE EXACT. CONFIRMATION OF EXISTENCE AND EXACT LOCATION OF ALL SERVICES MUST BE OBTAINED FROM THE INDIVIDUAL UTILITIES BEFORE PROCEEDING WITH CONSTRUCTION.

B.M. KGS BASE ELEV. -	DWGS BASED ON C.S.R.S. NAD 83 SYSTEM, UTM GRID		
NO.	REVISIONS	DATE	BY
0	ISSUED FOR TENDER	11/10/27	RBO
		11/10/19	

KGS GROUP CONSULTING ENGINEERS	
DESIGNED BY: RBO	CHECKED BY:
DRAWN BY: DMW	APPROVED BY:
SCALE: AS NOTED	RELEASED FOR CONSTRUCTION:
DATE: 11/10/19	DATE:

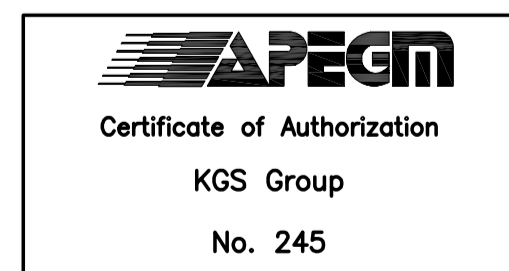
ENGINEER'S SEAL
R.B. OFFMAN
Member 24701
CONSULTANT DRAWING NO. LD-5695

THE CITY OF WINNIPEG WATER AND WASTE DEPARTMENT

PROJECT TITLE: 2011 OUTFALL MAINTENANCE PROGRAM

MISCELLANEOUS DETAILS

SHEET 02 OF 04
COMPUTER FILE NAME: 10-0107-18
CITY DRAWING NUMBER: LD-5695



P:\Projects\2010\10-0107-18\Doc\Control\TolBeissues\DWG\10-0107-18_LD_5695-Rev 0.dwg - Tab: LD-5695-Plotted By: DWeber 10/24/2011 [Mon 2:07pm] COWLE&END