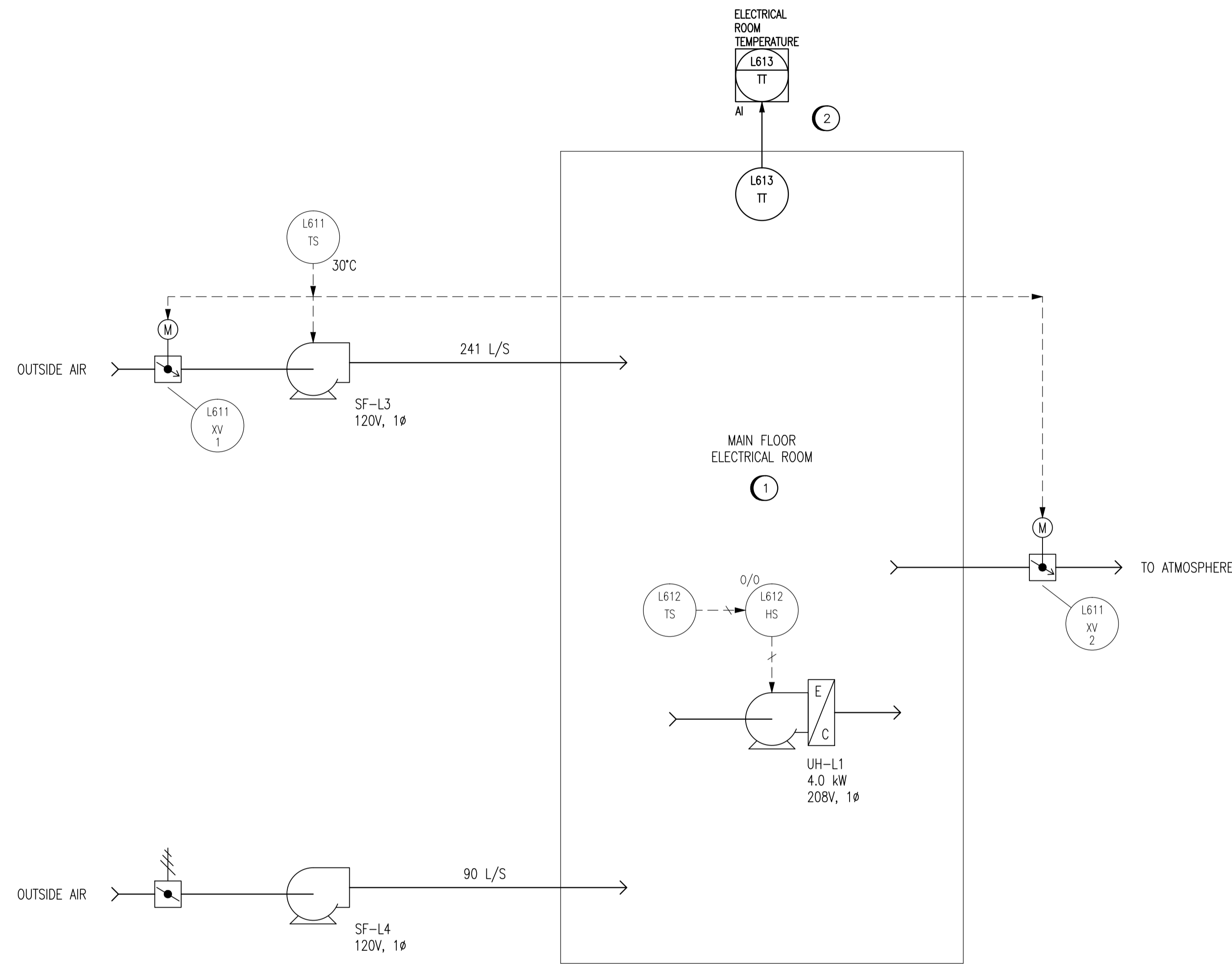


CONSTRUCTION NOTES:

- ① THE VENTILATION EQUIPMENT AND CONTROLS ASSOCIATED WITH THE ELECTRICAL ROOM IS EXISTING. RESTORE OPERATION OF EQUIPMENT OR CONTROLS DISTURBED BY THE CONSTRUCTION.
- ② INSTALL NEW TEMPERATURE TRANSMITTER.



NOTES:

- 1. THE FACILITY PREFIX FOR ALL INSTRUMENT IDENTIFIERS IS "MON".



NO.	REVISIONS	DATE	DESIGN	CHECK
00	ISSUED FOR TENDER, BID OPP. 907-2011	2011/11/04	BC	CJR

SNC-LAVALIN INC. 148 Nature Park Way Winnipeg, MB, Canada R3P 0X7 204-786-8080	
DESIGNED BY: B. CLEVEN	CHECKED BY: C. REIMER
DRAWN BY: S. FUNK	APPROVED BY: C. REIMER
SCALE: NTS	RELEASED FOR CONSTRUCTION BY: K. R. ZUREK DATE: 2012/02/23
DATE: 2011/10/04	
CONSULTANT NO.: 508042-0000-49DD-0006	

ENGINEER'S SEAL
 ORIGINAL DRAWING
 SEALED BY:
 C. J. REIMER
 SNC-LAVALIN
 MEMBER #21968
 2011/11/07
 REV. 00

THE CITY OF WINNIPEG
 WATER AND WASTE DEPARTMENT

MONTCALM WASTEWATER PUMPING STATION
 2011 UPGRADES
 PROCESS AND INSTRUMENTATION DIAGRAM
 VENTILATION - ELECTRICAL ROOM

CITY DRAWING NUMBER	SHEET	REV.	SIZE
1-0164L-P0006	001	00	A1