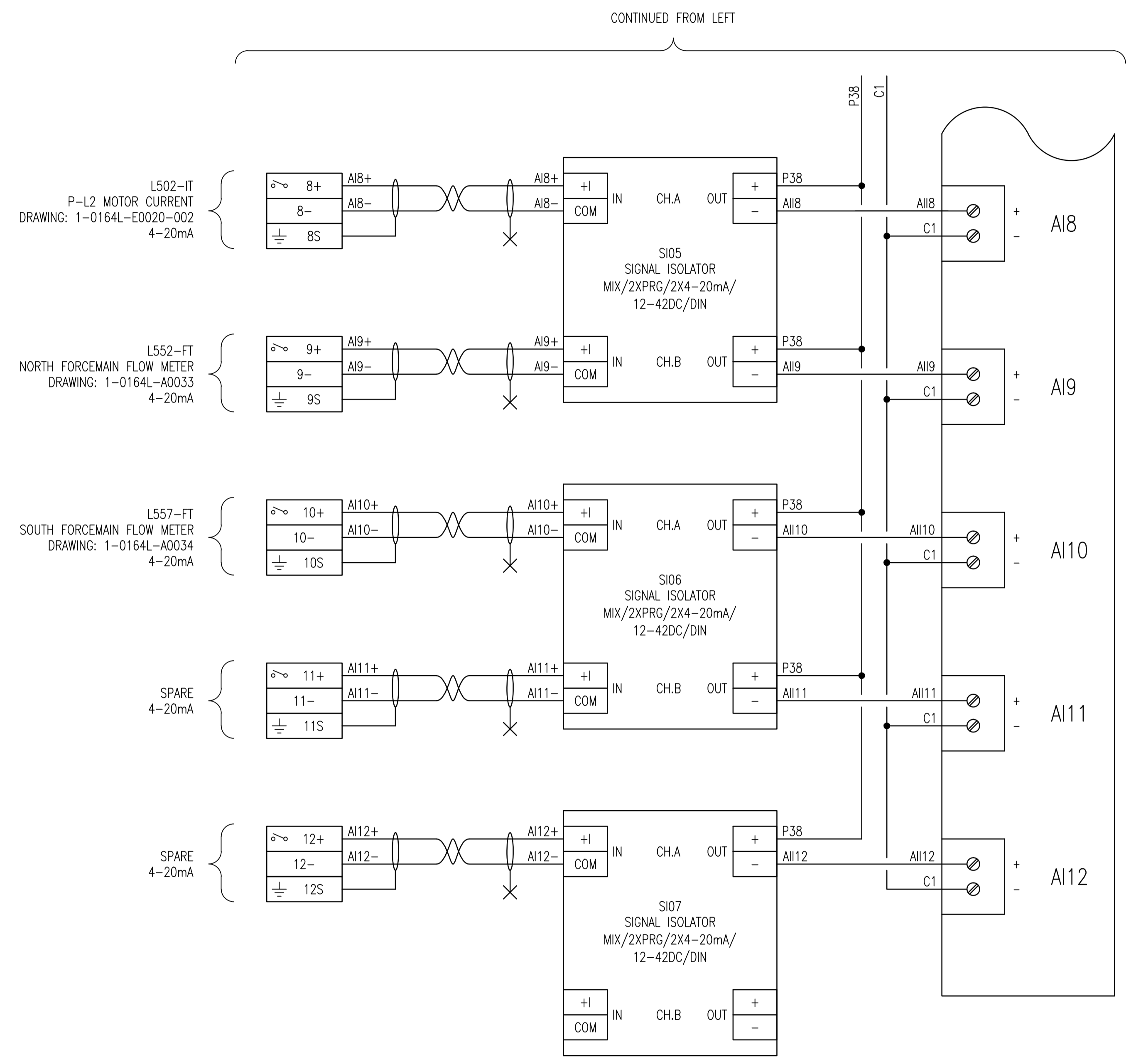


| SIGNAL ISOLATOR SWITCH SETTINGS | | | | | | |
|---------------------------------|-----------|--------------------------|--------------------------|--------|--------------------------|--------------------------|
| IDENTIFIER | CHANNEL A | | CHANNEL B | | | |
| SIO1 | 4-20mA | <input type="checkbox"/> | <input type="checkbox"/> | 4-20mA | <input type="checkbox"/> | <input type="checkbox"/> |
| SIO2 | 4-20mA | <input type="checkbox"/> | <input type="checkbox"/> | 4-20mA | <input type="checkbox"/> | <input type="checkbox"/> |
| SIO3 | 4-20mA | <input type="checkbox"/> | <input type="checkbox"/> | 4-20mA | <input type="checkbox"/> | <input type="checkbox"/> |
| SIO4 | 4-20mA | <input type="checkbox"/> | <input type="checkbox"/> | 4-20mA | <input type="checkbox"/> | <input type="checkbox"/> |
| SIO5 | 4-20mA | <input type="checkbox"/> | <input type="checkbox"/> | 4-20mA | <input type="checkbox"/> | <input type="checkbox"/> |
| SIO6 | 4-20mA | <input type="checkbox"/> | <input type="checkbox"/> | 4-20mA | <input type="checkbox"/> | <input type="checkbox"/> |
| SIO7 | 4-20mA | <input type="checkbox"/> | <input type="checkbox"/> | 4-20mA | <input type="checkbox"/> | <input type="checkbox"/> |

| FUSE SCHEDULE | | | |
|---------------|------------|--------|-------------------|
| TB | IDENTIFIER | SIZE | RATED CURRENT (A) |
| TB04 | 0P | 5x20mm | 0.2 |
| | 1P | 5x20mm | 0.2 |
| | 2P | 5x20mm | 0.2 |
| | 3P | 5x20mm | 0.2 |
| | 4P | 5x20mm | 0.2 |
| | 5P | 5x20mm | 0.2 |



| NO. | REVISIONS | DATE | DESIGN | CHECK |
|-----|--------------------------------------|------------|--------|-------|
| 01 | REVISED SCADAPACK ES PART NUMBER | 2012/03/05 | BC | CJR |
| 00 | ISSUED FOR TENDER, BID OPP. 907-2011 | 2011/11/04 | BC | CJR |

| | | |
|---|---|--|
| SNC-LAVALIN INC. 148 Nature Park Way Winnipeg, MB, Canada R3P 0X7 204-798-8090 | | ENGINEER'S SEAL ORIGINAL DRAWING SEALED BY: C. J. REIMER SNC-LAVALIN MEMBER #21968 2012/02/23 REV. 00 |
| DESIGNED BY: B. CLEVEN DRAWN BY: S. FUNK SCALE: NTS DATE: 2011/10/12 CONSULTANT NO.: 508042-0000-4800-0005 | CHECKED BY: C. REIMER APPROVED BY: C. REIMER RELEASED FOR CONSTRUCTION BY: K. R. ZUREK DATE: 2012/02/23 | |

THE CITY OF WINNIPEG
 WATER AND WASTE DEPARTMENT

MONTCALM WASTEWATER PUMPING STATION
 2011 UPGRADES
 RTU I/O WIRING DIAGRAM
 CONTROL PANEL CP-L1
 ANALOG INPUTS

CITY DRAWING NUMBER: 1-0164L-A0005
 SHEET: 001
 REV: 01
 SIZE: A1