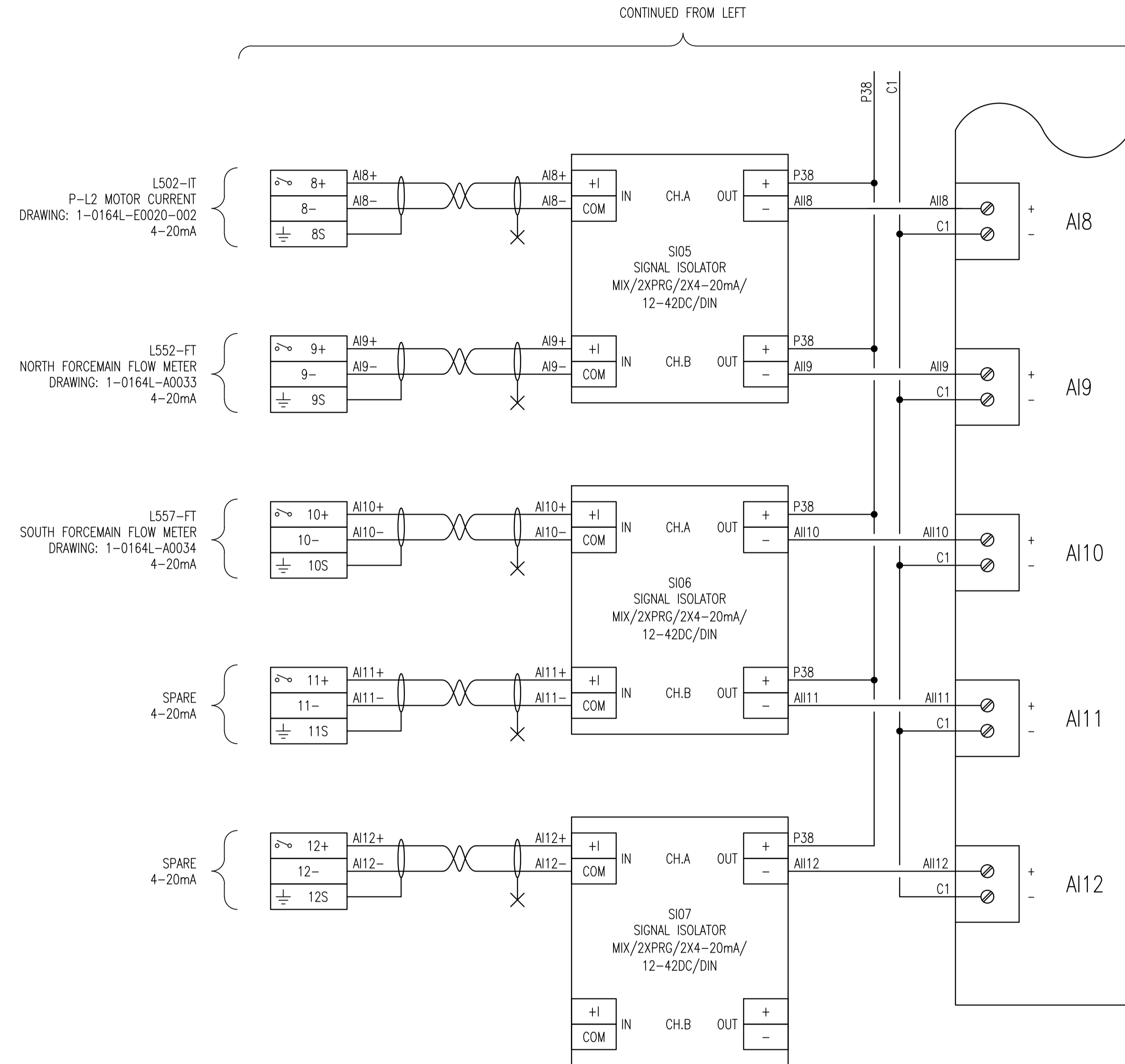


CONTINUED AT RIGHT

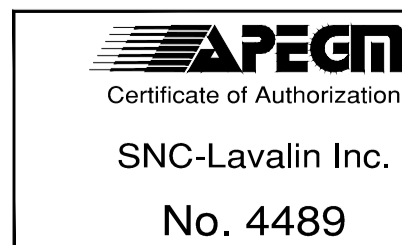
SIGNAL ISOLATOR SWITCH SETTINGS						
IDENTIFIER	CHANNEL A		CHANNEL B			
SIO1	4-20mA	<input type="checkbox"/>	<input type="checkbox"/>	4-20mA	<input type="checkbox"/>	<input type="checkbox"/>
SIO2	4-20mA	<input type="checkbox"/>	<input type="checkbox"/>	4-20mA	<input type="checkbox"/>	<input type="checkbox"/>
SIO3	4-20mA	<input type="checkbox"/>	<input type="checkbox"/>	4-20mA	<input type="checkbox"/>	<input type="checkbox"/>
SIO4	4-20mA	<input type="checkbox"/>	<input type="checkbox"/>	4-20mA	<input type="checkbox"/>	<input type="checkbox"/>
SIO5	4-20mA	<input type="checkbox"/>	<input type="checkbox"/>	4-20mA	<input type="checkbox"/>	<input type="checkbox"/>
SIO6	4-20mA	<input type="checkbox"/>	<input type="checkbox"/>	4-20mA	<input type="checkbox"/>	<input type="checkbox"/>
SIO7	4-20mA	<input type="checkbox"/>	<input type="checkbox"/>	4-20mA	<input type="checkbox"/>	<input type="checkbox"/>

FUSE SCHEDULE			
TB	IDENTIFIER	SIZE	RATED CURRENT (A)
TB04	0P	5x20mm	0.2
	1P	5x20mm	0.2
	2P	5x20mm	0.2
	3P	5x20mm	0.2
	4P	5x20mm	0.2
	5P	5x20mm	0.2



CONTINUED FROM LEFT

CONTINUED AT RIGHT



NO.	REVISIONS	DATE	DESIGN	CHECK
00	ISSUED FOR TENDER, BID OPP. 907-2011	2011/11/04	BC	CJR

SNC-LAVALIN INC. 148 Nature Park Way Winnipeg, MB, Canada R3P 0X7 204-798-8090	
DESIGNED BY: B. CLEVEN	CHECKED BY: C. REIMER
DRAWN BY: S. FUNK	APPROVED BY: C. REIMER
SCALE: NTS	RELEASED FOR CONSTRUCTION BY: K. R. ZUREK
DATE: 2011/10/12	DATE: 2012/02/23
CONSULTANT NO.: 508042-0000-48DD-0005	

ENGINEER'S SEAL  
 ORIGINAL DRAWING  
 SEALED BY:  
 C. J. REIMER  
 SNC-LAVALIN  
 MEMBER #21968  
 2012/02/23  
 REV. 00

**THE CITY OF WINNIPEG**  
 WATER AND WASTE DEPARTMENT  
 MONTCALM WASTEWATER PUMPING STATION  
 2011 UPGRADES  
 RTU I/O WIRING DIAGRAM  
 CONTROL PANEL CP-L1  
 ANALOG INPUTS  
 CITY DRAWING NUMBER: 1-0164L-A0005 SHEET: 001 REV: 00 SIZE: A1