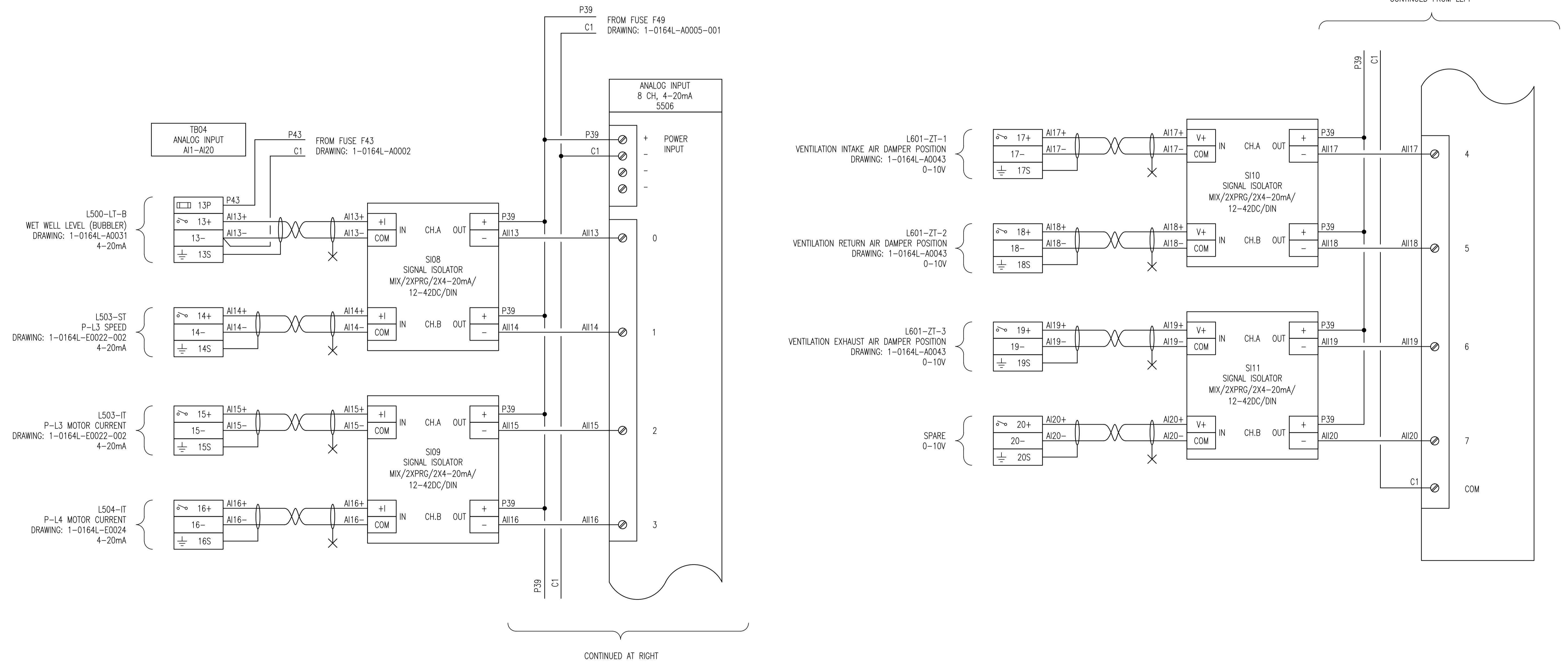


5506 SWITCH SETTINGS	
SWITCH	DESCRIPTION
1-4	MODULE ADDRESS
5	OFF = 5506 OPERATION, ON = 5501 EMULATION
6	OFF = NO OFFSET, ON = OFFSET
7	OFF = VOLTAGE, ON = CURRENT
8	OFF = 60 Hz REJECTION, ON = 50 Hz REJECTION

NOTE: SWITCHES 6-8 ARE INACTIVE WHEN THE MODULE IS CONFIGURED FOR 5506 OPERATION.

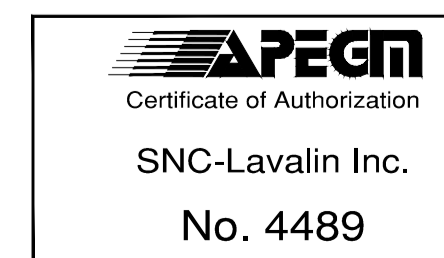
SIGNAL ISOLATOR SWITCH SETTINGS			
IDENTIFIER	CHANNEL A	CHANNEL B	
SI08	4-20mA	4-20mA	
SI09	4-20mA	4-20mA	
SI10	0-10V	0-10V	
SI11	0-10V	0-10V	

FUSE SCHEDULE			
TB	IDENTIFIER	SIZE	RATED CURRENT (A)
TB04	13P	5x20mm	0.2



CONTINUED AT RIGHT

CONTINUED FROM LEFT



NO.	REVISIONS	DATE	DESIGN	CHECK
00	ISSUED FOR TENDER, BID OPP. 907-2011	2012/02/09	BC	CJR

SNC-LAVALIN		SNC-LAVALIN INC. 148 Nature Park Way Winnipeg, MB, Canada R3P 0X7 204-796-8090	
DESIGNED BY:	B. CLEVEN	CHECKED BY:	C. REIMER
DRAWN BY:	S. FUNK	APPROVED BY:	C. REIMER
SCALE:	NTS	RELEASED FOR CONSTRUCTION BY:	K. R. ZUREK
DATE:	2011/10/12	DATE:	2012/02/23
CONSULTANT NO.:		508042-0000-48DD-0105	

ENGINEER'S SEAL
 ORIGINAL DRAWING
 SEALED BY:
 C. J. REIMER
 SNC-LAVALIN
 MEMBER #21968
 2012/02/23
 REV. 00

THE CITY OF WINNIPEG WATER AND WASTE DEPARTMENT			
MONTCALM WASTEWATER PUMPING STATION 2011 UPGRADES RTU I/O WIRING DIAGRAM CONTROL PANEL CP-L1 ANALOG INPUTS			
CITY DRAWING NUMBER	SHEET	REV.	SIZE
1-0164L-A0005	002	00	A1