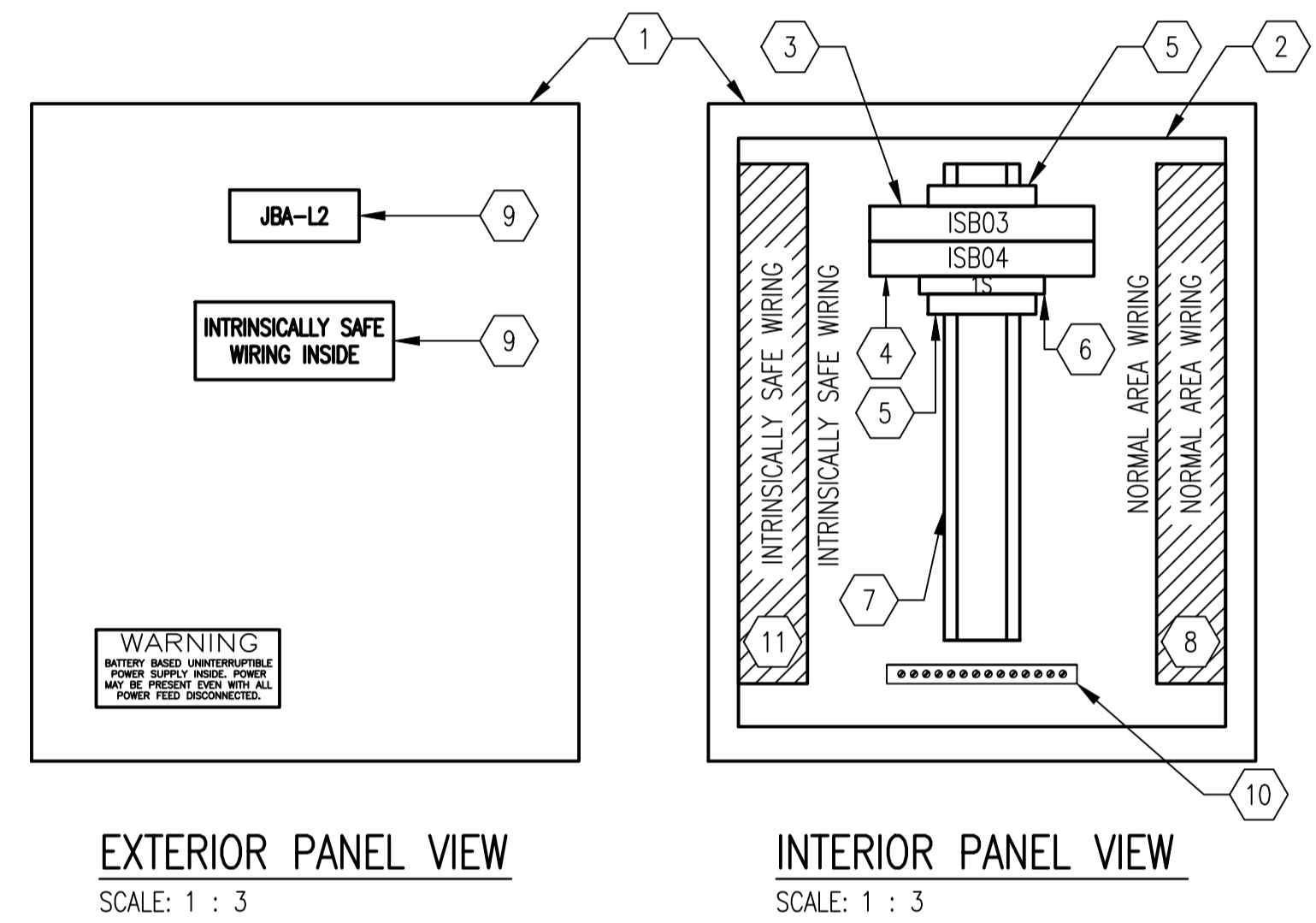


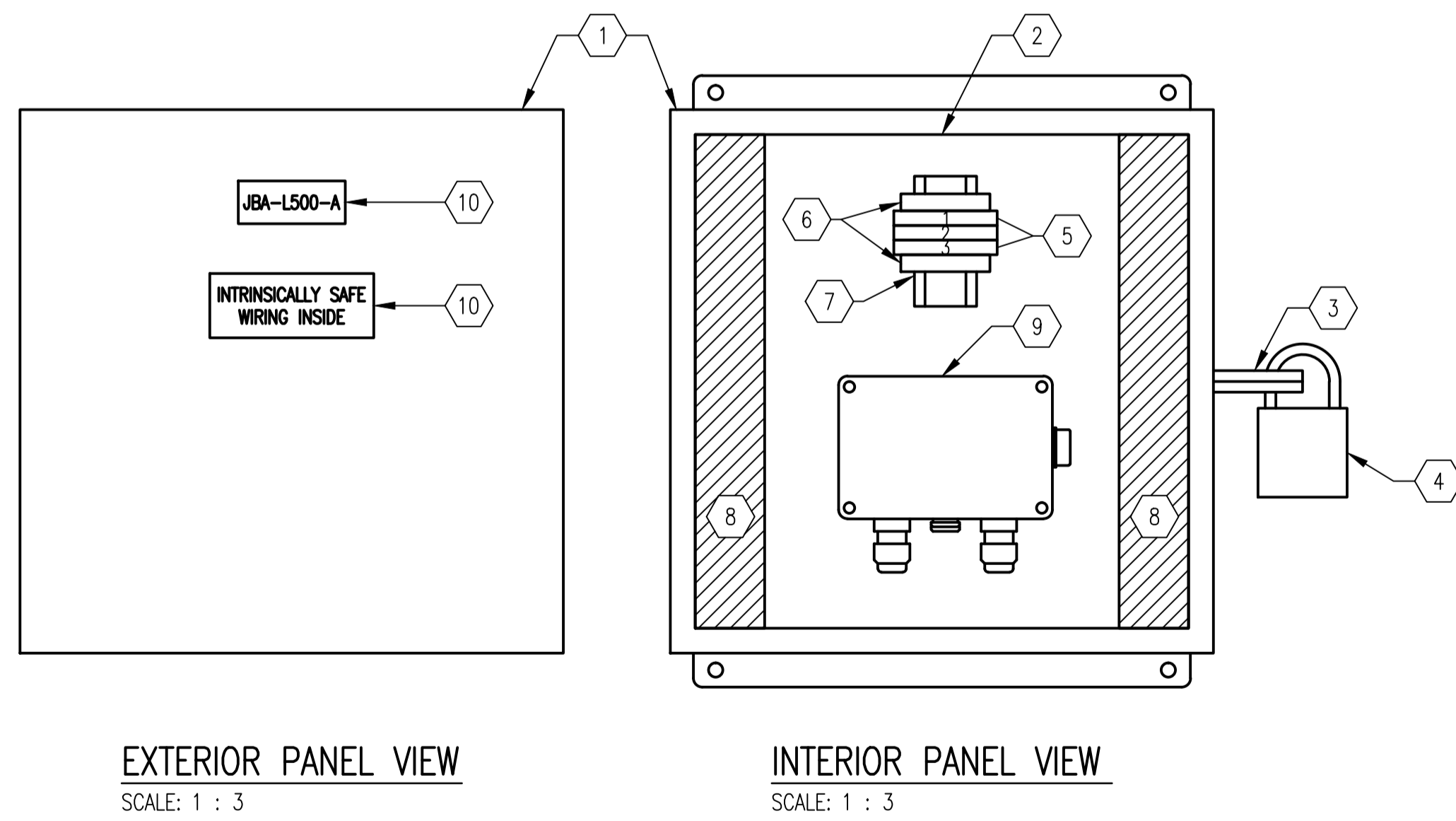
EXTERIOR PANEL VIEW  
SCALE: 1 : 3

INTERIOR PANEL VIEW  
SCALE: 1 : 3



EXTERIOR PANEL VIEW  
SCALE: 1 : 3

INTERIOR PANEL VIEW  
SCALE: 1 : 3



EXTERIOR PANEL VIEW  
SCALE: 1 : 3

INTERIOR PANEL VIEW  
SCALE: 1 : 3

**NOTES:**

1. LABEL WIREWAY COVERS AND BACKPLANE AS SHOWN.
2. PROVIDE IDENTIFICATION OF ISOLATORS WITHIN JBA-L1 AND JBA-L2 BY MEANS OF A COMPUTER GENERATED ADHESIVE LABEL..



BILL OF MATERIAL				
ITEM	QTY	DESCRIPTION	MANUFACTURER	CATALOG NUMBER
1	1	JUNCTION BOX, NEMA 12, CONTINUOUS-HINGE, 305x254x152mm	HOFFMAN	A12106CHQR
2	1	BACKPAN	HOFFMAN	A12P10
3	1	INTRINSICALLY SAFE ISOLATING BARRIER, DIGITAL INPUT, 1 CHANNEL	MTL	MTL5511
4	1	INTRINSICALLY SAFE ISOLATING BARRIER, ANALOG INPUT	MTL	MTL5541
5	2	TERMINAL END CLAMP	PHOENIX CONTACT	1201442
6	1	POTENTIAL EARTH TERMINAL	PHOENIX CONTACT	3046207
7	AS REQ'D	35mm DIN RAIL	PHOENIX CONTACT	0801733
8	AS REQ'D	NARROW SLOT WIRING DUCT, 1.25" x 2.12", GREY	PANDUIT	F1X2LG6
9	AS REQ'D	LAMACOID, 5mm HIGH BLACK TEXT ON WHITE BACKGROUND	-	-
10	1	GROUND BAR, 6 TAP	ILSCO	D167-6
11	AS REQ'D	NARROW SLOT WIRING DUCT, 1.25" x 2.12", BLUE	PANDUIT	F1X2IB6

BILL OF MATERIAL				
ITEM	QTY	DESCRIPTION	MANUFACTURER	CATALOG NUMBER
1	1	JUNCTION BOX, NEMA 4X, CONTINUOUS-HINGE, 305x254x152mm	HOFFMAN	A12106CHNFSS
2	1	BACKPAN	HOFFMAN	A12P10
3	1	INTRINSICALLY SAFE ISOLATING BARRIER, DIGITAL INPUT, 1 CHANNEL	MTL	MTL5511
4	1	INTRINSICALLY SAFE ISOLATING BARRIER, DIGITAL INPUT, 2 CHANNELS	MTL	MTL5018AC
5	2	TERMINAL END CLAMP	PHOENIX CONTACT	1201442
6	1	POTENTIAL EARTH TERMINAL	PHOENIX CONTACT	3046207
7	AS REQ'D	35mm DIN RAIL	PHOENIX CONTACT	0801733
8	AS REQ'D	NARROW SLOT WIRING DUCT, 1.25" x 2.12", GREY	PANDUIT	F1X2LG6
9	AS REQ'D	LAMACOID, 5mm HIGH BLACK TEXT ON WHITE BACKGROUND	-	-
10	1	GROUND BAR, 6 TAP	ILSCO	D167-6
11	AS REQ'D	NARROW SLOT WIRING DUCT, 1.25" x 2.12", BLUE	PANDUIT	F1X2IB6

BILL OF MATERIAL				
ITEM	QTY	DESCRIPTION	MANUFACTURER	CATALOG NUMBER
1	1	JUNCTION BOX, NEMA 4X	HOFFMAN	A1212CHNFSS
2	1	BACKPAN	HOFFMAN	A12P12
3	1	PADLOCK KIT	HOFFMAN	APLKJIC
4	1	PADLOCK (SUPPLIED BY CITY)	-	-
5	3	FEED THROUGH TERMINAL	PHOENIX CONTACT	3046184
6	2	TERMINAL END CLAMP	PHOENIX CONTACT	1201442
7	AS REQ'D	35mm DIN RAIL	PHOENIX CONTACT	0801733
8	AS REQ'D	NARROW SLOT WIRING DUCT, 1.25" x 2.12", BLUE	PANDUIT	F1X2IB6
9	1	SENSOR TERMINATION ENCLOSURE	ENDRESS & HAUSER	FMX167 TERMINAL BOX
10	AS REQ'D	LAMACOIDS, 5mm HIGH BLACK TEXT ON WHITE PLATE	-	-

DRAWING NUMBER	REFERENCE DRAWINGS
----------------	--------------------

00	ISSUED FOR TENDER, BID OPP: 907-2011	2012/02/09	VE	CJR
NO.	REVISIONS	DATE	DESIGN	CHECK

**SNC-LAVALIN INC.**  
148 Nature Park Way  
Winnipeg, MB, Canada R3P 0X7  
204-786-8080

DESIGNED BY: V. ELIMBAN  
CHECKED BY: C. REIMER  
DRAWN BY: S. FUNK  
APPROVED BY: C. REIMER  
SCALE: 1:3  
RELEASED FOR CONSTRUCTION BY: K. R. ZUREK  
DATE: 2011/10/03  
DATE: 2012/02/23  
CONSULTANT NO.: 508042-0000-4800-0013

ENGINEER'S SEAL  
ORIGINAL DRAWING  
SEALED BY:  
C. J. REIMER  
SNC-LAVALIN  
MEMBER #21968  
2012/02/23  
REV. 00

**THE CITY OF WINNIPEG**  
WATER AND WASTE DEPARTMENT

MONTCALM WASTEWATER PUMPING STATION  
2011 UPGRADES  
PANEL LAYOUT  
INTRINSICALLY SAFE BARRIER JUNCTION BOX  
JBA-L1, JBA-L2 AND JBA-L500-A

CITY DRAWING NUMBER: 1-0164L-A0013  
SHEET: 001  
REV: 00  
SIZE: A1