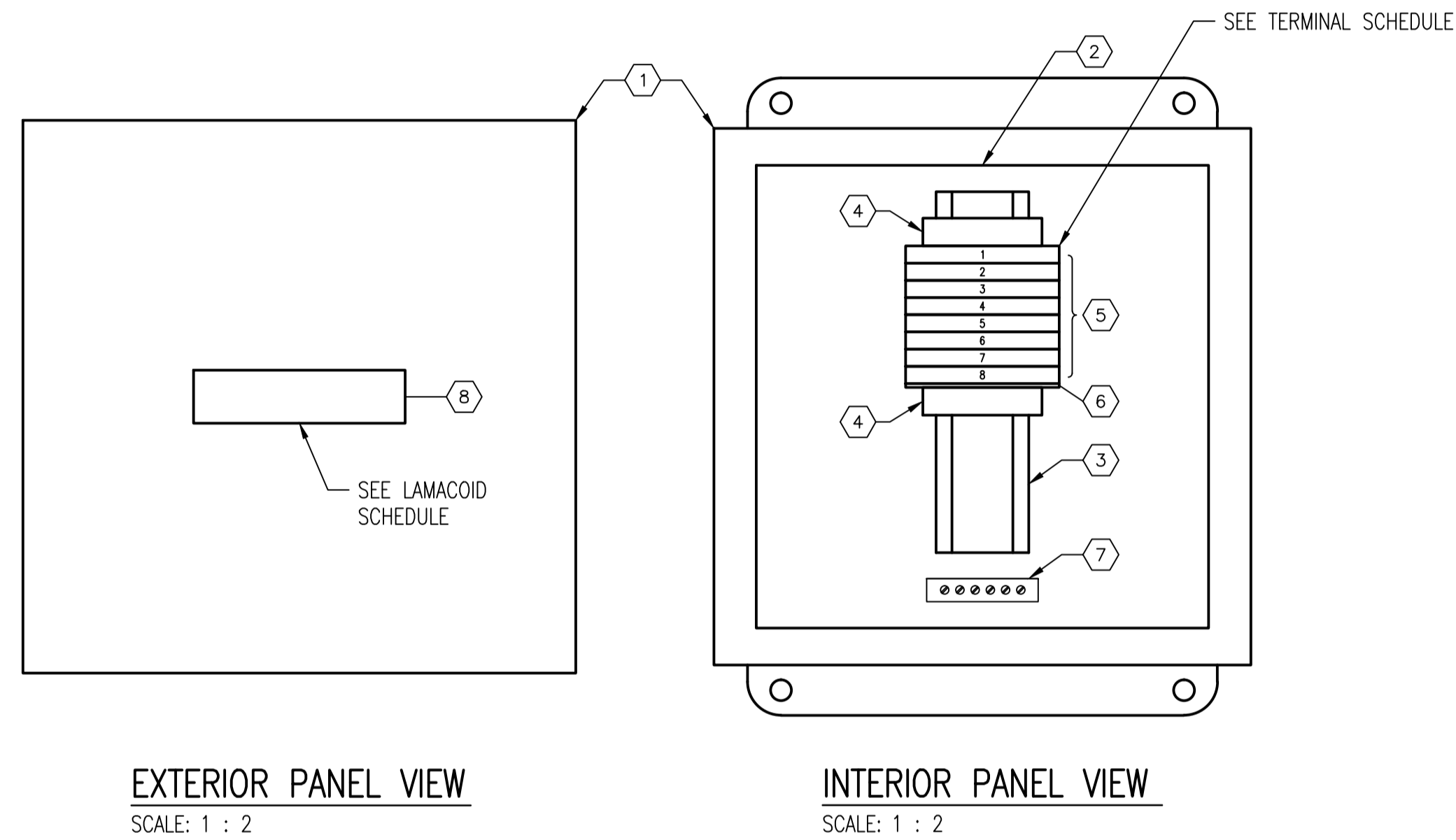
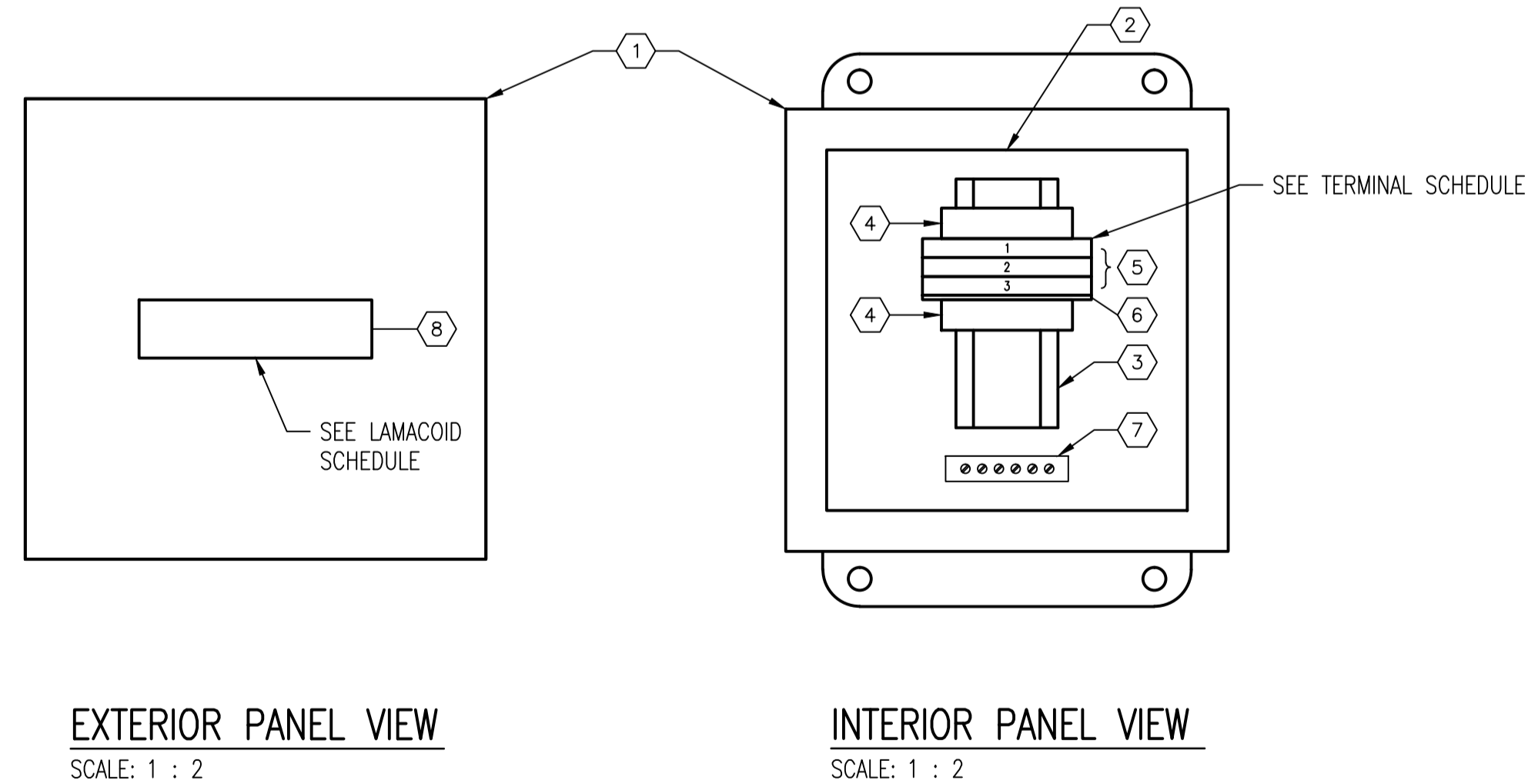


**TYPE A**



**TYPE B**



**TYPE C**

TYPE A BILL OF MATERIAL (PER JB)				
ITEM	QTY	DESCRIPTION	MANUFACTURER	CATALOG NUMBER
1	1	JUNCTION BOX, NEMA 12, SCREW COVER, 152x152x102mm	HOFFMAN	A606SC
2	1	BACKPAN	HOFFMAN	A6P6
3	AS REQ'D	35mm DIN RAIL	PHOENIX CONTACT	0801733
4	2	TERMINAL END CLAMP	PHOENIX CONTACT	1201442
5	AS REQ'D	FEED-THROUGH TERMINAL	PHOENIX CONTACT	3046184
6	1	TERMINAL END PLATE	PHOENIX CONTACT	3047141
7	1	GROUND BAR, 6 TAPS	ILSCO	-
8	1	LAMACOID, 5mm HIGH, BLACK TEXT ON WHITE BACKGROUND	-	-

TYPE B BILL OF MATERIAL (PER JB)				
ITEM	QTY	DESCRIPTION	MANUFACTURER	CATALOG NUMBER
1	1	JUNCTION BOX, NEMA 12, SCREW COVER, 203x203x102mm	HOFFMAN	A808SC
2	1	BACKPAN	HOFFMAN	A8P8
3	AS REQ'D	35mm DIN RAIL	PHOENIX CONTACT	0801733
4	2	TERMINAL END CLAMP	PHOENIX CONTACT	1201442
5	AS REQ'D	FEED-THROUGH TERMINAL	PHOENIX CONTACT	3046184
6	1	TERMINAL END PLATE	PHOENIX CONTACT	3047141
7	1	GROUND BAR, 6 TAPS	ILSCO	-
8	1	LAMACOID, 5mm HIGH, BLACK TEXT ON WHITE BACKGROUND	-	-

TYPE C BILL OF MATERIAL (PER JB)				
ITEM	QTY	DESCRIPTION	MANUFACTURER	CATALOG NUMBER
1	1	JUNCTION BOX, NEMA 4X, CLAMP COVER, 152x152x102mm	HOFFMAN	A606SNFSS
2	1	BACKPAN	HOFFMAN	A6P6
3	AS REQ'D	35mm DIN RAIL	PHOENIX CONTACT	0801733
4	2	TERMINAL END CLAMP	PHOENIX CONTACT	1201442
5	AS REQ'D	FEED-THROUGH TERMINAL	PHOENIX CONTACT	3046184
6	1	TERMINAL END PLATE	PHOENIX CONTACT	3047141
7	1	GROUND BAR, 6 TAPS	ILSCO	-
8	1	LAMACOID, 5mm HIGH, BLACK TEXT ON WHITE BACKGROUND	-	-

FIELD DEVICE JUNCTION BOX SCHEDULE			
JUNCTION BOX	TYPE	TERMINAL QUANTITY	LAMACOID TEXT
JBA-L530	C	3	JBA-L530
JBA-L533	C	3	JBA-L533
JBA-L601-1	B	8	JBA-L601-1
JBA-L601-3	A	4	JBA-L601-3
JBA-L605	A	5	JBA-L605



NO.	REVISIONS	DATE	DESIGN	CHECK
00	ISSUED FOR TENDER, BID OPP. 907-2011	2012/02/03	VE	CJR

**SNC-LAVALIN INC.**  
148 Nature Park Way  
Winnipeg, MB, Canada R3P 0X7  
204-796-8090

DESIGNED BY: V. ELIMBAN  
DRAWN BY: S. FUNK  
SCALE: 1:2  
DATE: 2011/08/31

CHECKED BY: C. REIMER  
APPROVED BY: C. REIMER  
RELEASED FOR CONSTRUCTION BY: K. R. ZUREK  
DATE: 2012/02/23

CONSULTANT NO.: 508042-0000-48DD-0014

ENGINEER'S SEAL

ORIGINAL DRAWING  
SEALED BY:  
C. J. REIMER  
SNC-LAVALIN  
MEMBER #21968  
2012/02/23  
REV. 00

**THE CITY OF WINNIPEG**  
WATER AND WASTE DEPARTMENT

MONTCALM WASTEWATER PUMPING STATION  
2011 UPGRADE  
PANEL LAYOUT  
FIELD DEVICE JUNCTION BOXES

CITY DRAWING NUMBER: 1-0164L-A0014

SHEET: 001

REV. 00

SIZE: A1