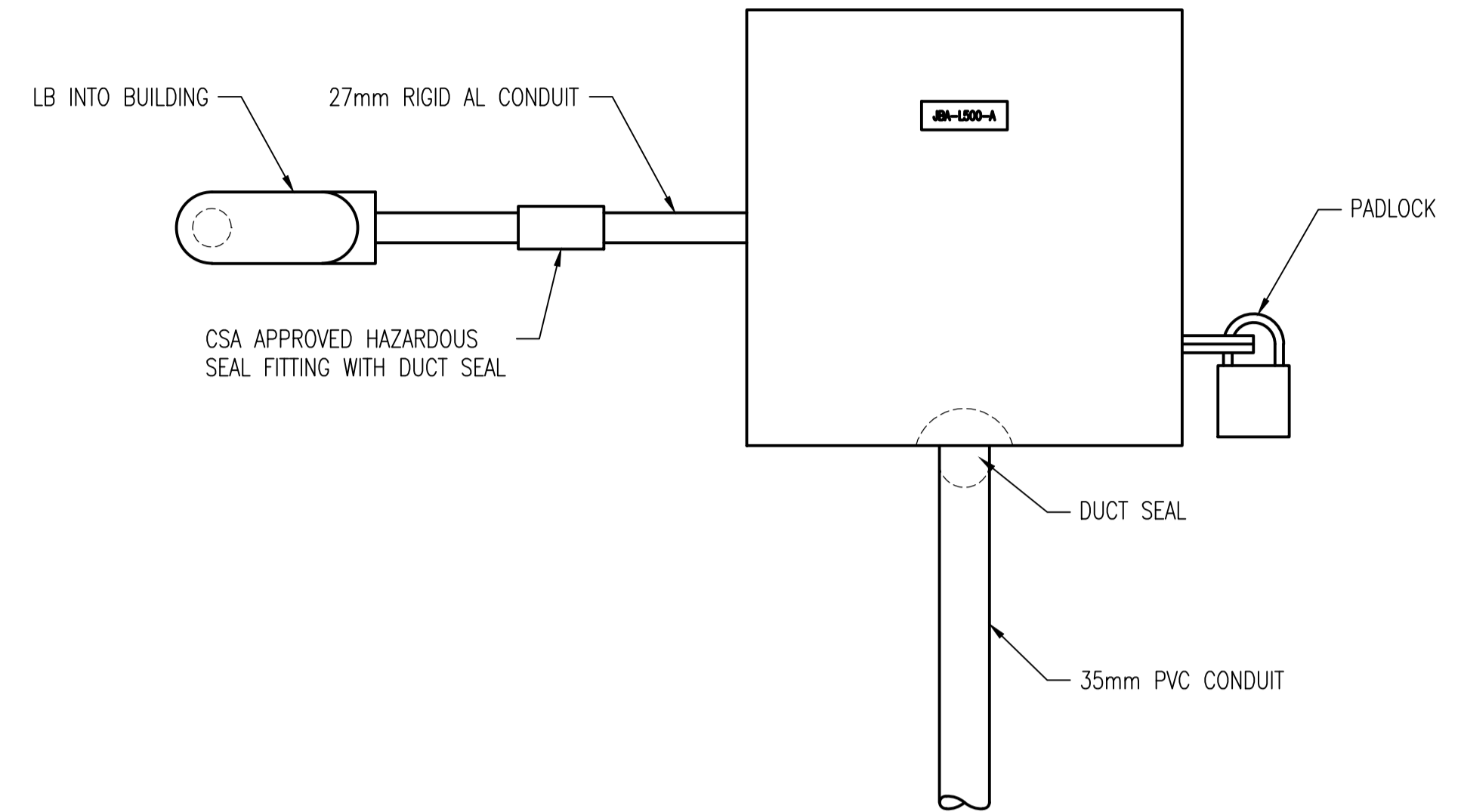
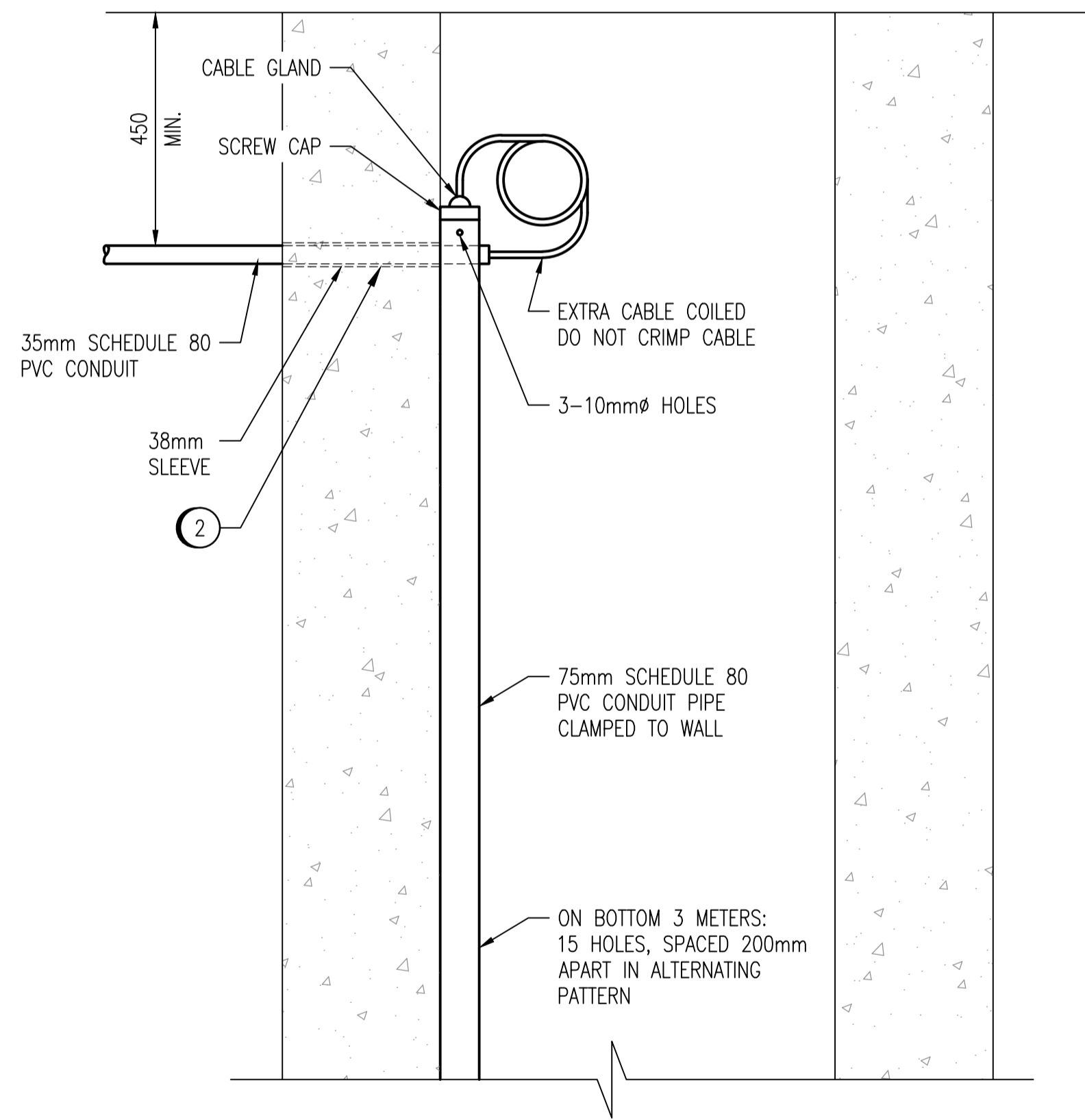


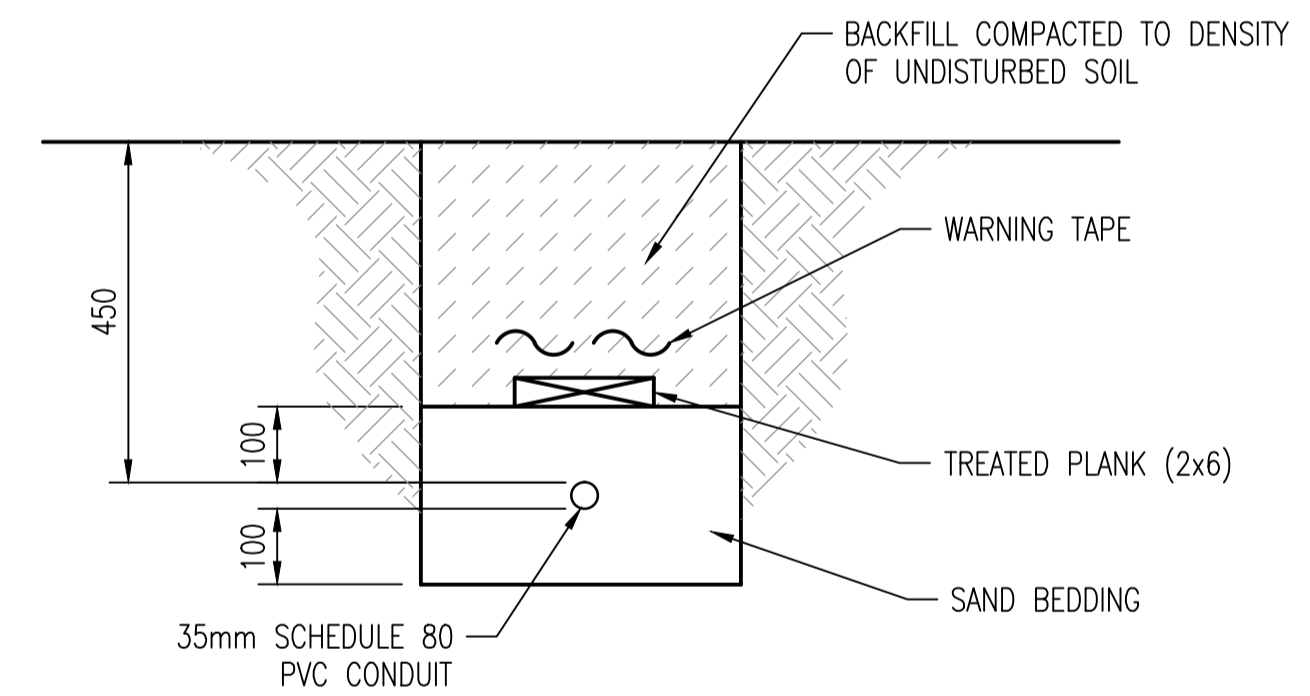
**PLAN VIEW**  
 SCALE: NTS



**JBA-L500-A DETAIL**  
 SCALE: NTS



**SECTION A: DETAIL**  
 SCALE: NTS



**SECTION B: TRENCH DETAIL**  
 SCALE: 1:10

**NOTES:**

1. UTILIZE STAINLESS STEEL SCREWS AND HARDWARE INSIDE WET WELL.
2. GROUT AND SEAL OPENING AROUND THE PVC CONDUIT.



NO.	REVISIONS	DATE	DESIGN	CHECK
00	ISSUED FOR TENDER, BID OPP. 907-2011	2011/11/04	VE	CJR

SNC-LAVALIN INC. 148 Nature Park Way Winnipeg, MB, Canada R3P 0X7 204-786-8080	
DESIGNED BY: V. ELIMBAN	CHECKED BY: C. REIMER
DRAWN BY: S. FUNK	APPROVED BY: C. REIMER
SCALE: AS NOTED	RELEASED FOR CONSTRUCTION BY: K. R. ZUREK
DATE: 2011/08/31	DATE: 2012/02/23
CONSULTANT NO.: 508042-0000-48DD-0016	

ENGINEER'S SEAL  
 ORIGINAL DRAWING  
 SEALED BY:  
 C. J. REIMER  
 SNC-LAVALIN  
 MEMBER #21968  
 2012/02/23  
 REV. 00

**THE CITY OF WINNIPEG**  
 WATER AND WASTE DEPARTMENT

MONTCALM WASTEWATER PUMPING STATION  
 2011 UPGRADES  
 INSTALLATION DETAILS  
 SUBMERSIBLE LEVEL TRANSMITTER  
 L500-LT-A

CITY DRAWING NUMBER	SHEET	REV.	SIZE
1-0164L-A0016	001	00	A1