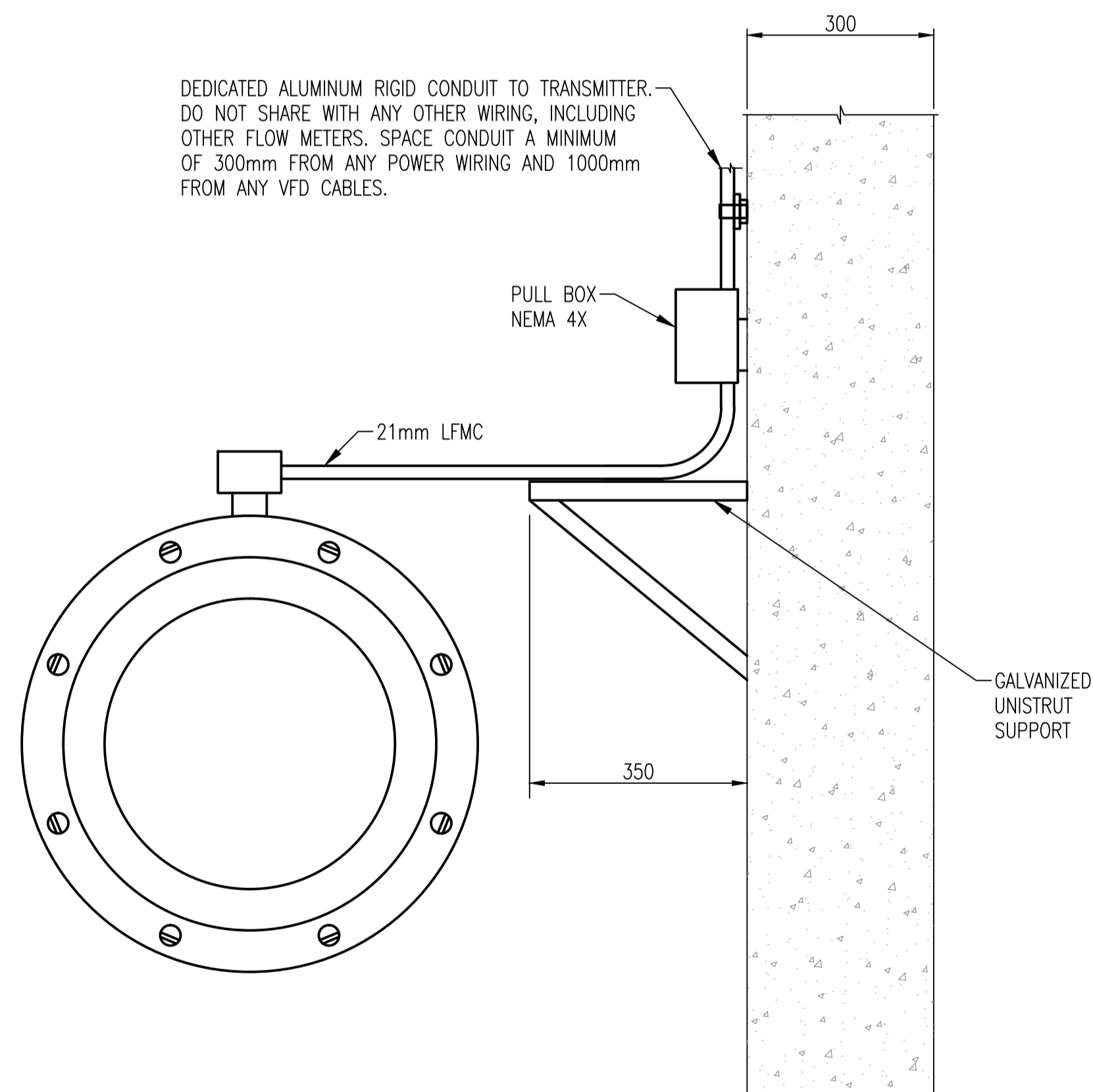
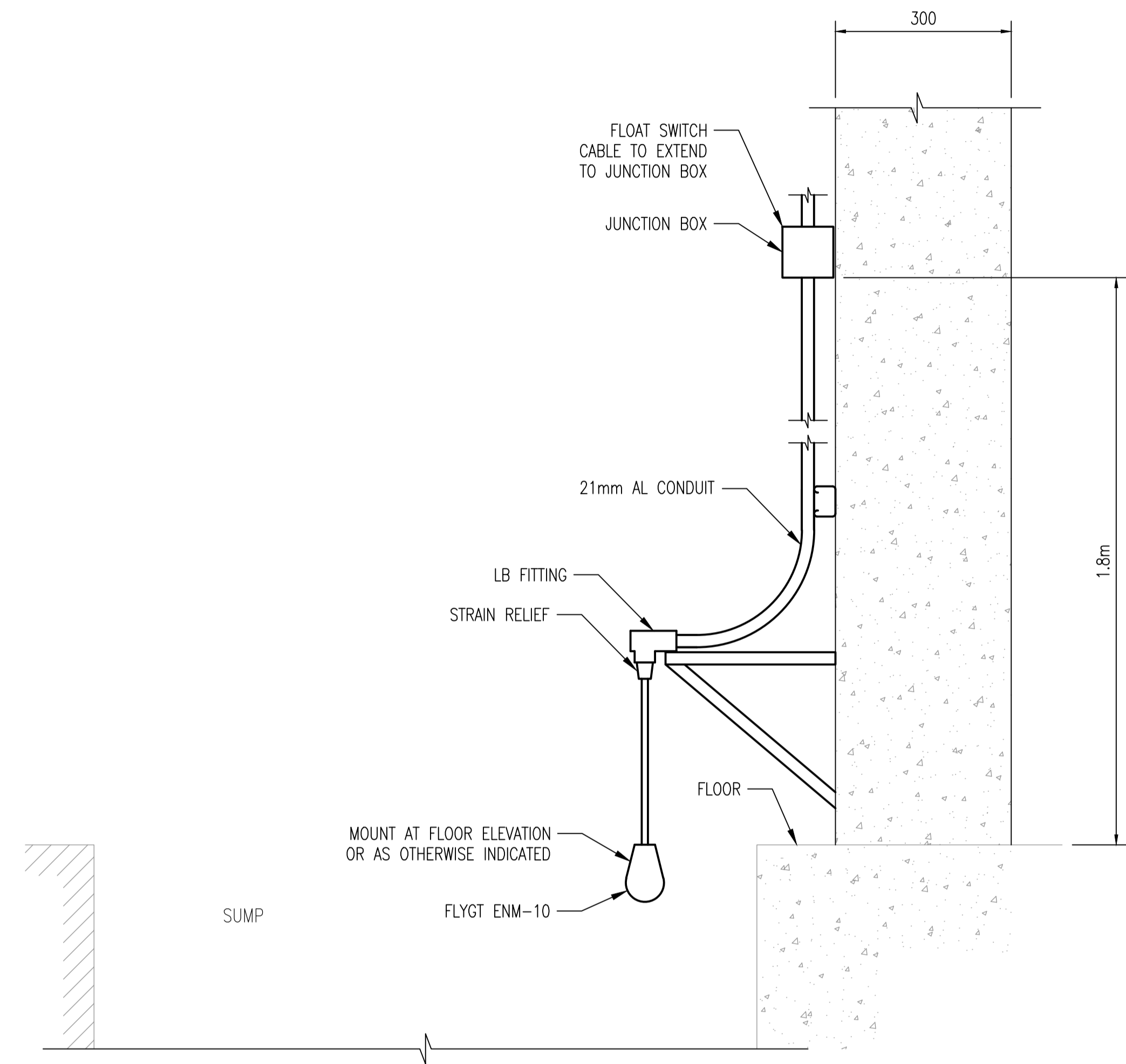


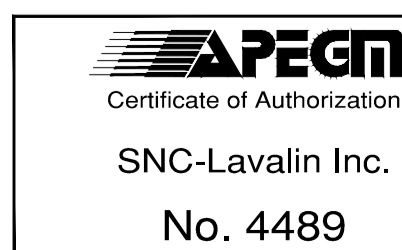
**A** FLOWTUBE GROUNDING  
NTS



**B** FLOWTUBE CABLE INSTALLATION  
NTS



**A** FLOOD SWITCH INSTALLATION  
NTS



NO.	REVISIONS	DATE	DESIGN	CHECK
00	ISSUED FOR TENDER, BID OPP. 907-2011	2012/02/09	BC	CJR

SNC-LAVALIN INC. 148 Nature Park Way Winnipeg, MB, Canada R3P 0X7 204-798-8080	
DESIGNED BY: B. CLEVEN	CHECKED BY: C. REIMER
DRAWN BY: M.J. PERSSON	APPROVED BY: C. REIMER
SCALE: NTS	RELEASED FOR CONSTRUCTION BY: K. R. ZUREK
DATE: 2011/10/27	DATE: 2012/02/23
CONSULTANT NO.: 508042-0000-48DD-0017	

ENGINEER'S SEAL  
 ORIGINAL DRAWING  
 SEALED BY:  
 C. J. REIMER  
 SNC-LAVALIN  
 MEMBER #21968  
 2012/02/23  
 REV. 00

THE CITY OF WINNIPEG WATER AND WASTE DEPARTMENT			
MONTCALM WASTEWATER PUMPING STATION 2011 UPGRADES INSTALLATION DETAILS FLOWMETERS AND LEVEL SWITCHES			
CITY DRAWING NUMBER	SHEET	REV.	SIZE
1-0164L-A0017	001	00	A1