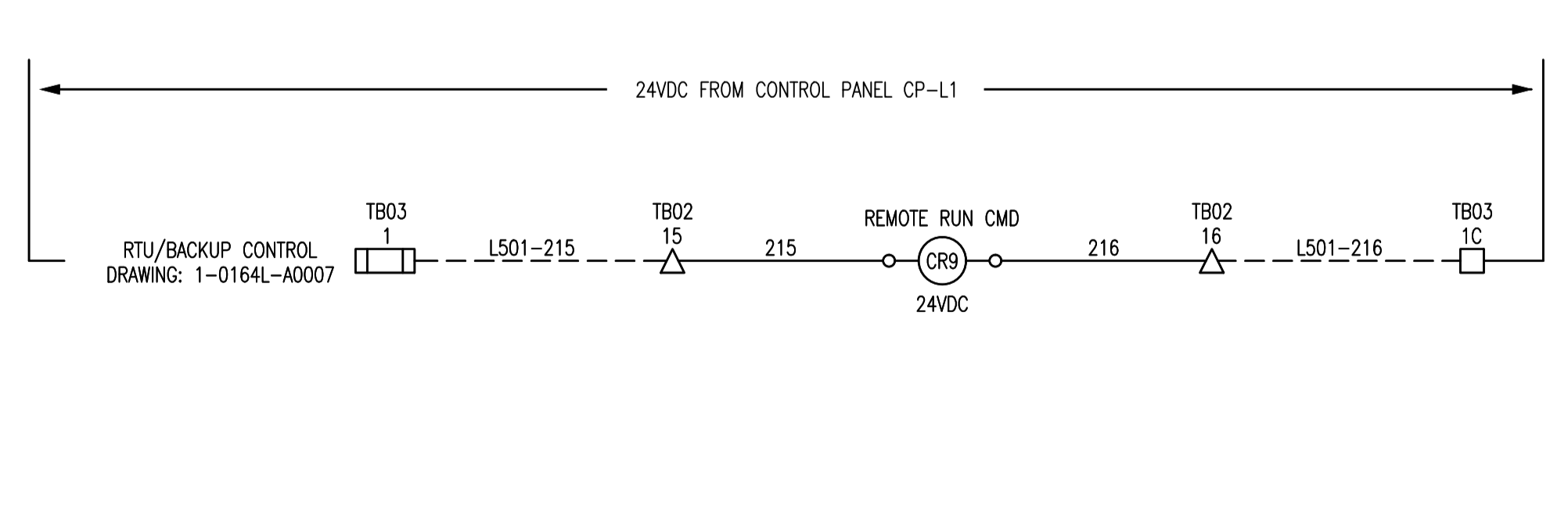
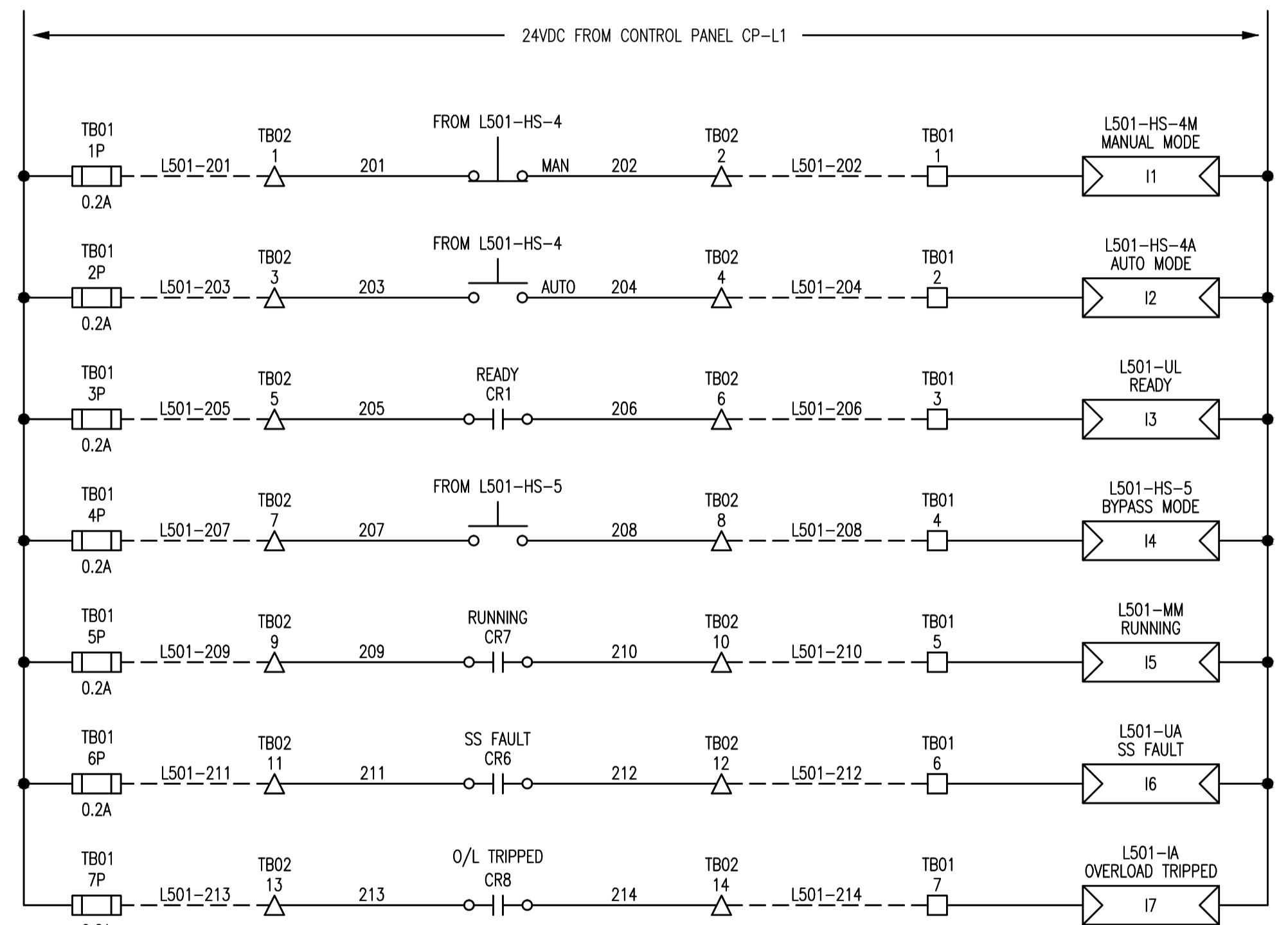
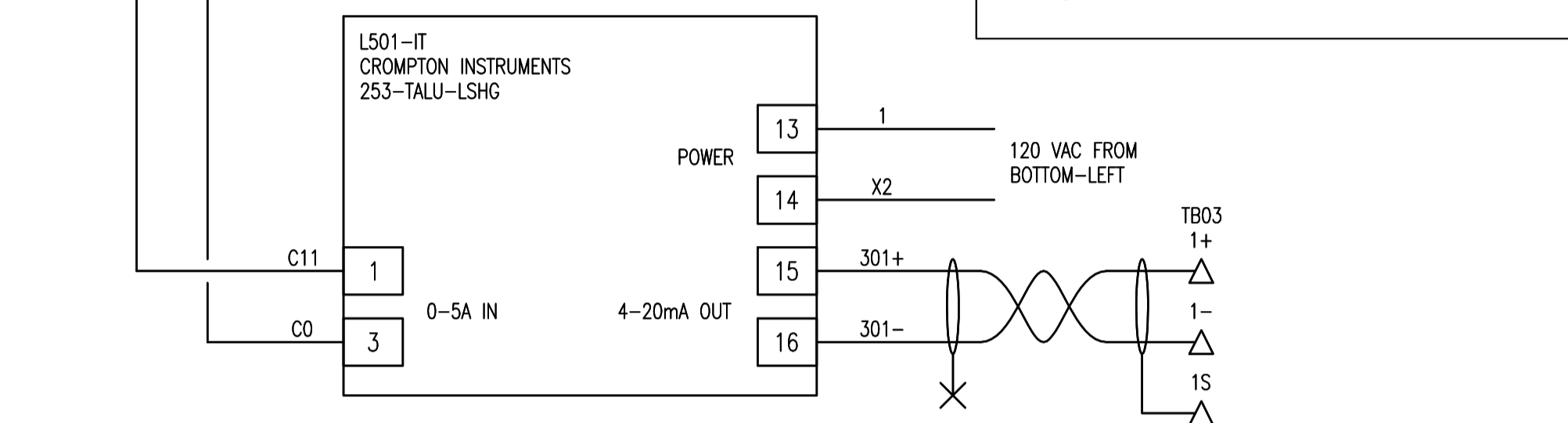


LEGEND:

- △ SOFT START ENCLOSURE TERMINAL
- ⊠ SOFT START DEVICE TERMINAL
- CONTACT
- (R) INDICATING LIGHT, R = RED, A = AMBER, G = GREEN
- (R) RELAY COIL
- ⊠ TRANSIENT VOLTAGE SUPPRESSOR
- ⊠ ETM ELAPSED TIME METER
- (A) AMMETER



- NOTES:**
- COMPLETE ASSEMBLY TO HAVE A SHORT CIRCUIT CURRENT RATING OF 25kA OR HIGHER.
 - GROUP AND SPACE 120VAC, 24VDC AND 4-20mA TERMINALS AND WIRING SEPARATELY.
 - ALL REMOTE WIRING IS 24VDC.
 - PFC ENABLE SWITCH TO BE MOUNTED INTERNAL TO SOFT STARTER ENCLOSURE ON SUITABLE BRACKET.



00	ISSUED FOR TENDER, BID OPP: 907-2011	2012/02/03	BC	CJR
NO.	REVISIONS	DATE	DESIGN	CHECK

		SNC-LAVALIN INC. 148 Nature Park Way Winnipeg, MB, Canada R3P 0X7 204-786-8080	
DESIGNED BY:	B. CLEVEN	CHECKED BY:	C. REIMER
DRAWN BY:	S. FUNK	APPROVED BY:	C. REIMER
SCALE:	NTS	RELEASED FOR CONSTRUCTION BY:	K. R. ZUREK
DATE:	2011/09/26	DATE:	2012/02/23
CONSULTANT NO.:	508042-0000-47DD-0017		

ENGINEER'S SEAL

ORIGINAL DRAWING
SEALED BY:
C. J. REIMER
SNC-LAVALIN
MEMBER #21968
2012/02/23
REV. 00

THE CITY OF WINNIPEG
WATER AND WASTE DEPARTMENT

Winnipeg

MONTCALM WASTEWATER PUMPING STATION
2011 UPGRADES
MOTOR STARTER SCHEMATIC
MS-P-L1
WASTEWATER LIFT PUMP

CITY DRAWING NUMBER: 1-0164L-E0017

SHEET: 001

REV: 00

SIZE: A1