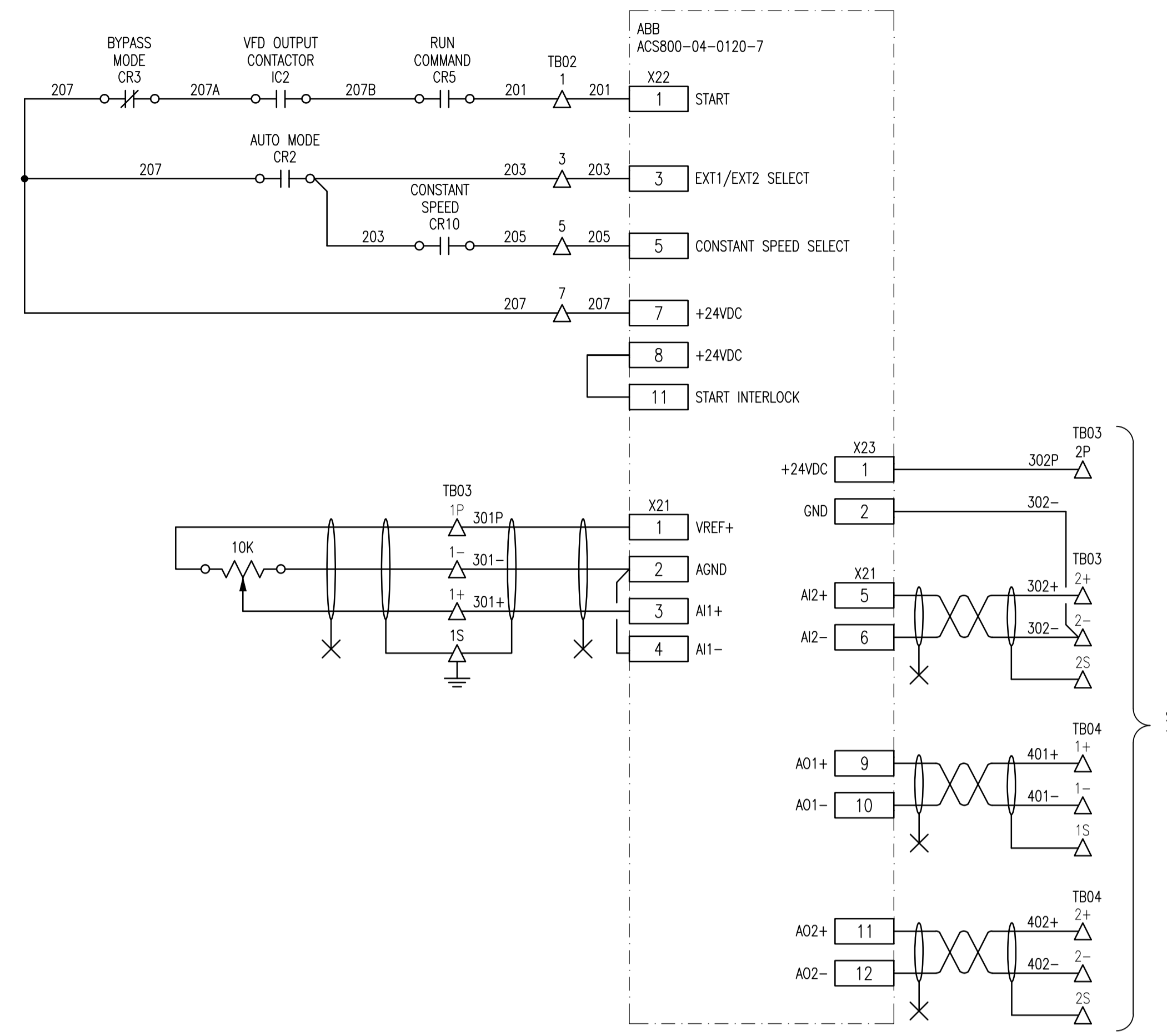
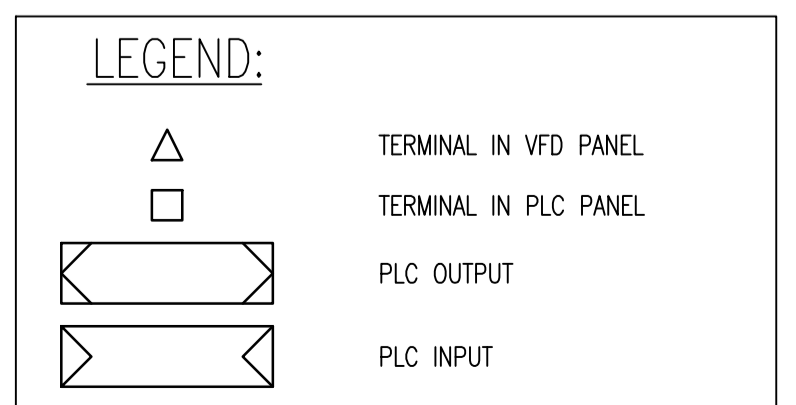
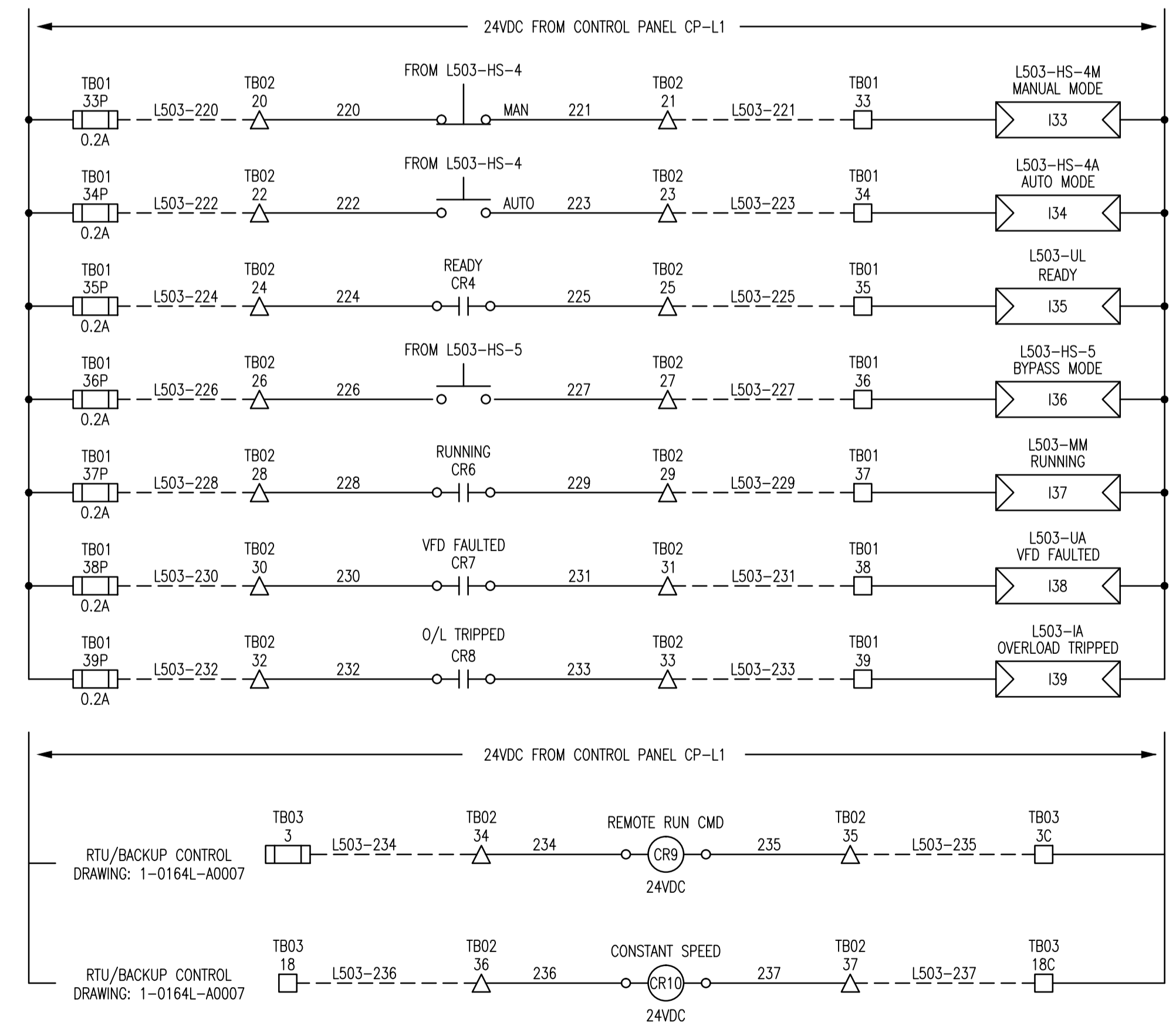


LAST SAVE: 2012/02/23 - 2:47pm
 PATH: M:\508042\AENG\47ELE\DO - General DWG\1-0164L-E0022-002-00.dwg

1-0164L-E0022-001	3-LINE DIAGRAM
1-0164L-E0023	CONNECTION DIAGRAM
DRAWING NUMBER	REFERENCE DRAWINGS



SEE DRAWING: 1-0164L-E0023



NO.	REVISIONS	DATE	DESIGN	CHECK
00	ISSUED FOR TENDER, BID OPP. 907-2011	2011/11/04	BC	CJR

<p>SNC-LAVALIN INC. 148 Nature Park Way Winnipeg, MB, Canada R3P 0X7 204-786-8080</p>		ENGINEER'S SEAL
DESIGNED BY: B. CLEVEN	CHECKED BY: C. REIMER	ORIGINAL DRAWING SEALED BY: C. J. REIMER SNC-LAVALIN MEMBER #21968 2012/02/23 REV. 00
DRAWN BY: S. FUNK	APPROVED BY: C. REIMER	
SCALE: NTS	RELEASED FOR CONSTRUCTION BY: K. R. ZUREK	
DATE: 2011/10/03	DATE: 2012/02/23	
CONSULTANT NO.: 508042-0000-47DD-0120		

 THE CITY OF WINNIPEG WATER AND WASTE DEPARTMENT		MONTCALM WASTEWATER PUMPING STATION 2011 UPGRADES MOTOR STARTER SCHEMATIC VFD-P-L3 WASTEWATER LIFT PUMP		
		CITY DRAWING NUMBER	SHEET	REV.
1-0164L-E0022		002	00	A1