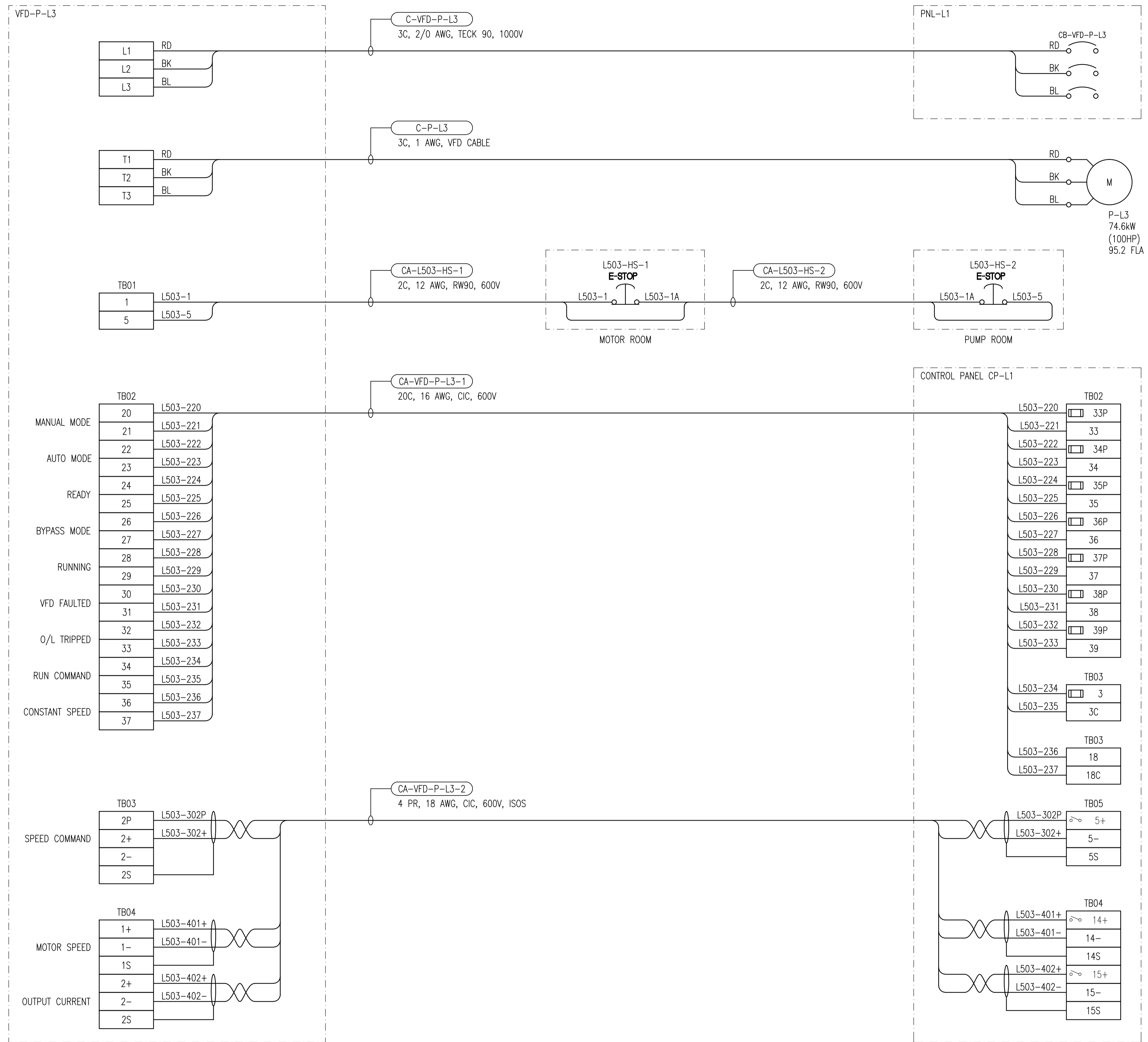


FIELD CONNECTION DIAGRAM:



1-0164L-E0022-001	CONTROL SCHEMATIC
1-0164L-E0022-002	3-LINE DIAGRAM
DRAWING NUMBER	REFERENCE DRAWINGS



NO.	REVISIONS	DATE	DESIGN	CHECK
00	ISSUED FOR TENDER, BID OPP. 907-2011	2011/11/04	BC	CJR

**SNC-LAVALIN INC.**  
 148 Mainville Park Way  
 Winnipeg, MB, Canada R2P 0Y7  
 204-790-0500

DESIGNED BY: B. CLEVEN  
 CHECKED BY: C. REIMER  
 DRAWN BY: S. FUNK  
 APPROVED BY: C. REIMER  
 SCALE: NTS  
 RELEASED FOR CONSTRUCTION BY: K. R. ZUREK  
 DATE: 2011/09/27  
 DATE: 2012/02/23  
 CONSULTANT NO.: 508042-0000-47DD-0023

ENGINEER'S SEAL  
 ORIGINAL DRAWING  
 SEALED BY:  
 C. J. REIMER  
 SNC-LAVALIN  
 MEMBER # 21968  
 2011/11/07  
 REV. 00

**THE CITY OF WINNIPEG**  
 WATER AND WASTE DEPARTMENT

MONTCALM WASTEWATER PUMPING STATION  
 2011 UPGRADES  
 CONNECTION DIAGRAM  
 VFD-P-L3  
 WASTEWATER LIFT PUMP

CITY DRAWING NUMBER: 1-0164L-E0023  
 SHEET: 001  
 REV: 00  
 SIZE: A1