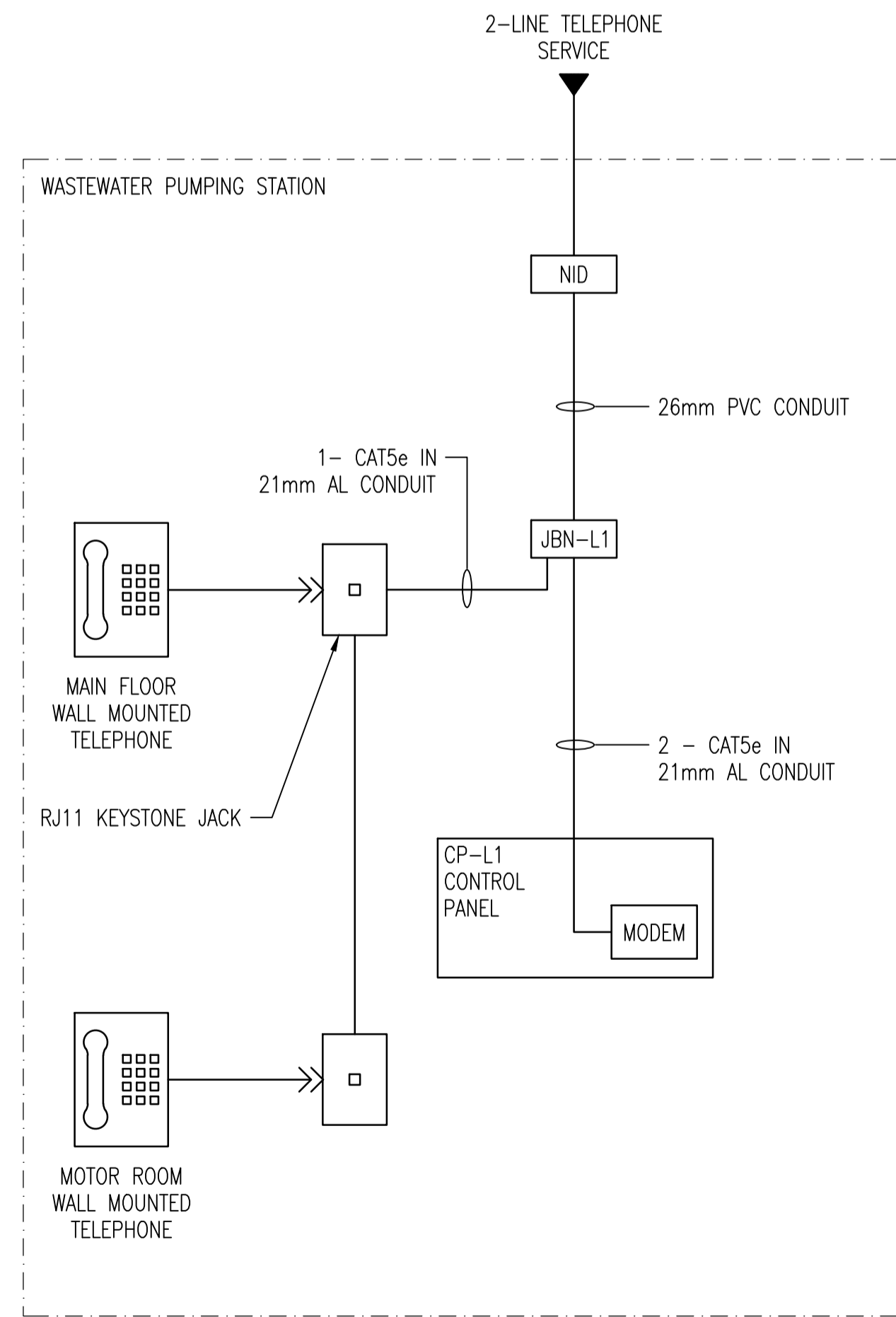


EXTERIOR PANEL VIEW
SCALE: NTS

INTERIOR PANEL VIEW
SCALE: NTS

BILL OF MATERIAL				
ITEM	QTY	DESCRIPTION	MANUFACTURER	CATALOG NUMBER
1	1	ENCLOSURE, NEMA 12, 356x305x152	HOFFMAN	A1412CHQR
2	1	BACKPAN	HOFFMAN	A14P12
3	1	BIX 25 PAIR DISTRIBUTION CONNECTOR	-	-
4	1	BIX 50 PAIR MOUNT	-	-
5	1	GROUNDING STRIP - SUITABLE FOR 3 - 10AWG CONDUCTORS	ILSCO	-



TELEPHONE BLOCK DIAGRAM
SCALE: NTS

NOTES

- CONNECT THE TELEPHONES IN A MANNER THAT ALLOWS THE MODEM TO DISCONNECT THE TELEPHONE WHEN IN USE.
- THE EXISTING TELEPHONES HAVE AN INTERCOM FEATURE. CONNECT IN A MANNER TO PRESERVE THE INTERCOM FEATURE.



NO.	REVISIONS	DATE	DESIGN	CHECK
00	ISSUED FOR TENDER, BID OPP. 907-2011	2012/02/09	BC	CJR

 SNC-LAVALIN INC. 148 Nature Park Way Winnipeg, MB, Canada R3P 0X7 204-786-8080	
DESIGNED BY: B. CLEVEN	CHECKED BY: C. REIMER
DRAWN BY: S. FUNK	APPROVED BY: C. REIMER
SCALE: NTS	RELEASED FOR CONSTRUCTION BY: K. R. ZUREK
DATE: 2011/08/31	DATE: 2012/02/23
CONSULTANT NO.: 508042-0000-47DD-0030	

ENGINEER'S SEAL

ORIGINAL DRAWING
SEALED BY:
C. J. REIMER
SNC-LAVALIN
MEMBER #21968
2012/02/23
REV. 00

THE CITY OF WINNIPEG
WATER AND WASTE DEPARTMENT

MONTCALM WASTEWATER PUMPING STATION
2011 UPGRADES
DETAILS
TELEPHONE NETWORK

CITY DRAWING NUMBER	SHEET	REV.	SIZE
1-0164L-E0030	001	00	A1