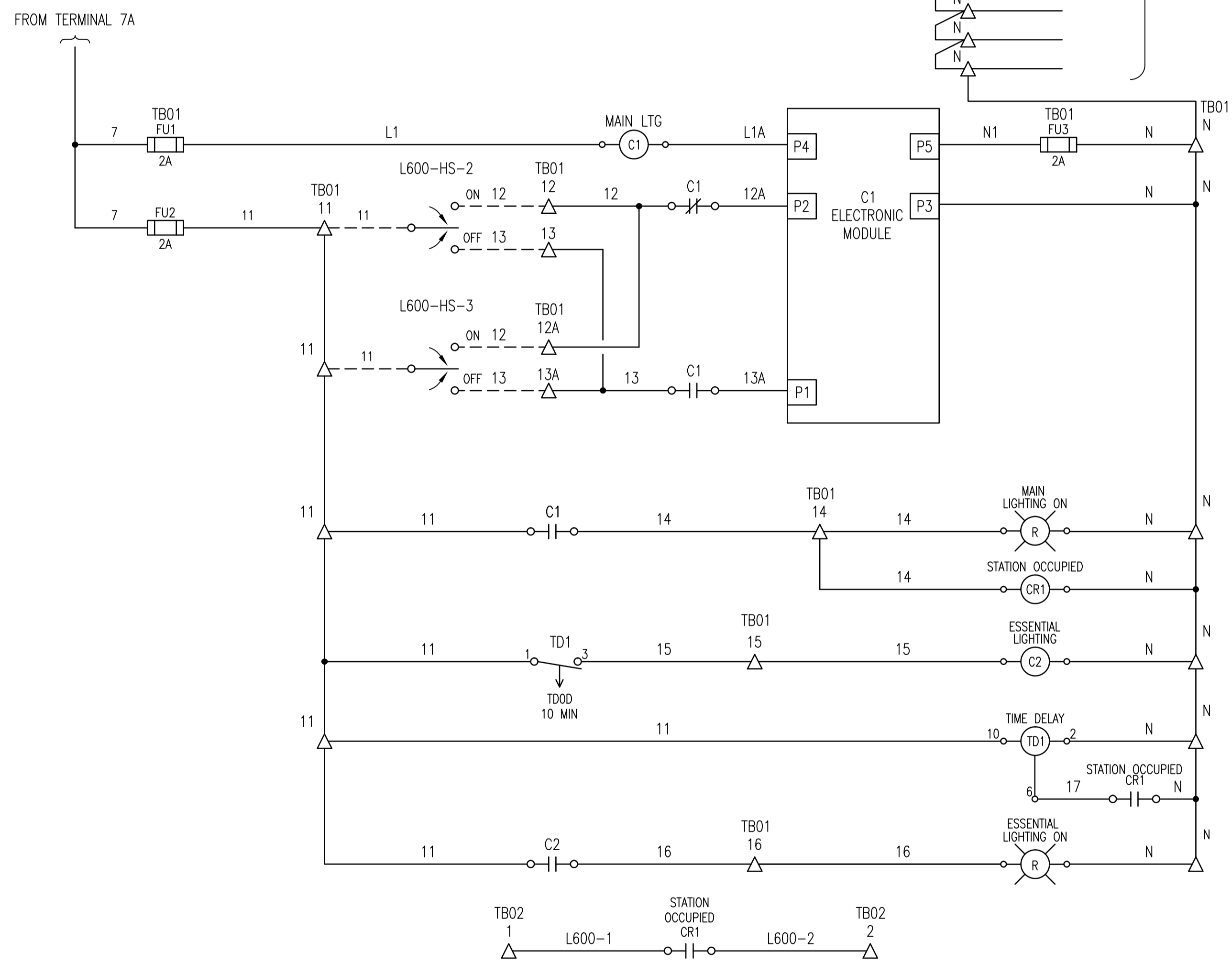
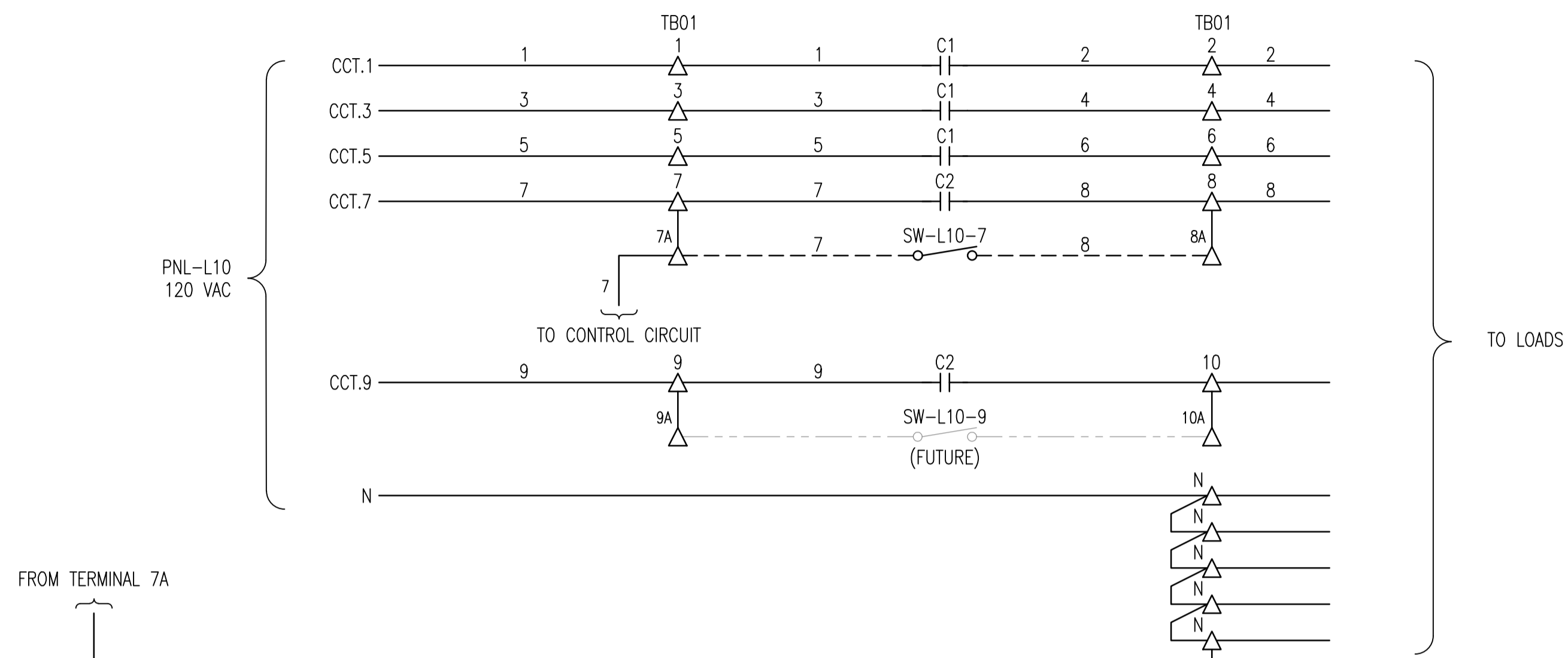
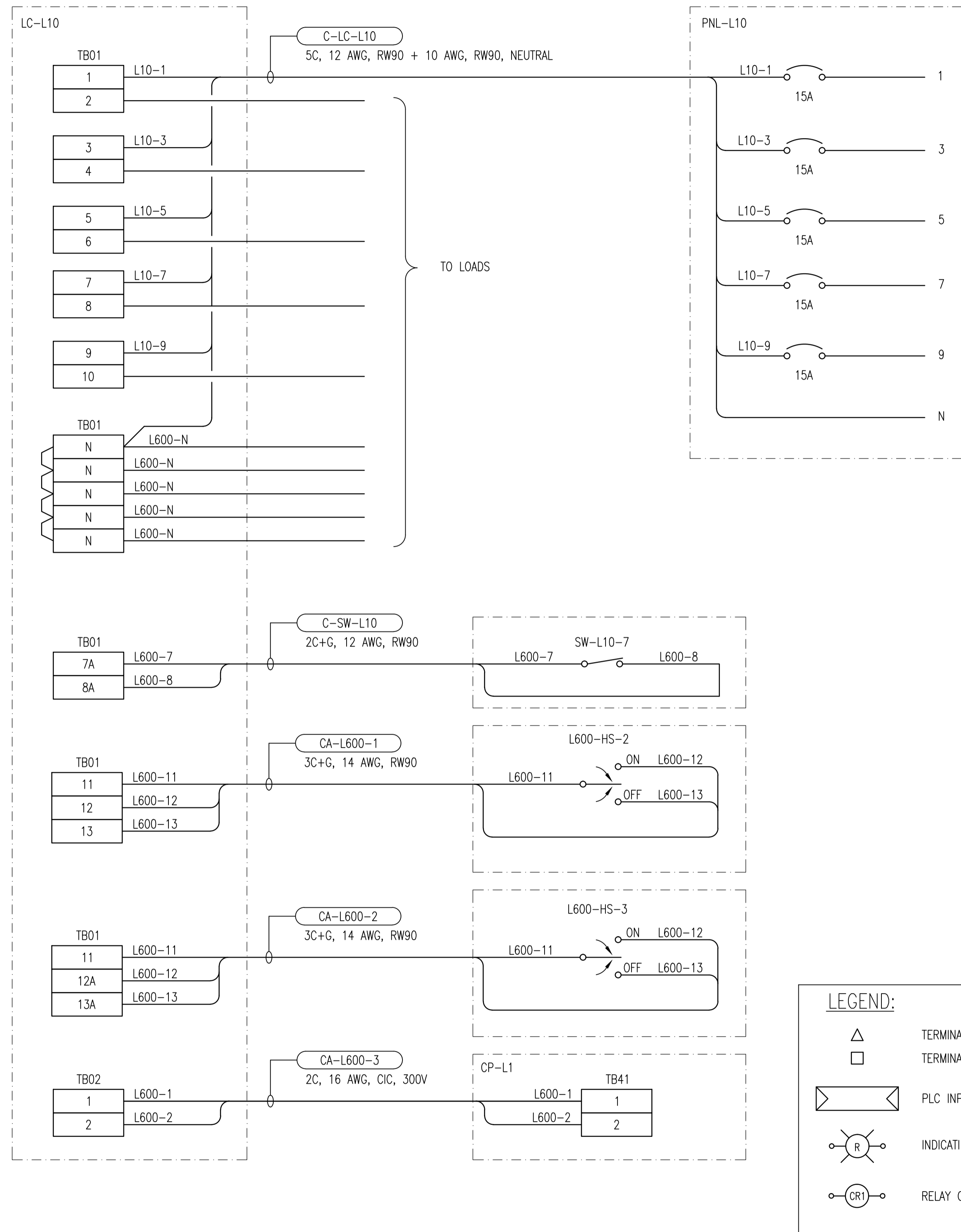


ELEMENTARY DIAGRAM:



CONNECTION DIAGRAM:



1-0164L-A0042	LOOP DIAGRAM, OCCUPANCY SWITCH, L600-YL
DRAWING NUMBER	REFERENCE DRAWINGS



NO.	REVISIONS	DATE	DESIGN	CHECK
00	ISSUED FOR TENDER, BID OPP. 907-2011	2012/02/09	VE	CJR

 SNC-LAVALIN INC. 148 Nature Park Way Winnipeg, MB, Canada R3P 0X7 204-786-8080	
DESIGNED BY: V. ELIMBAN	CHECKED BY: C. REIMER
DRAWN BY: M.J. PERSSON	APPROVED BY: C. REIMER
SCALE: NTS	RELEASED FOR CONSTRUCTION BY: K. R. ZUREK
DATE: 2010/10/24	DATE: 2012/02/23
CONSULTANT NO.: 508042-0000-47DD-0032	

ENGINEER'S SEAL
 ORIGINAL DRAWING
 SEALED BY:
 C. J. REIMER
 SNC-LAVALIN
 MEMBER #21968
 2012/02/23
 REV. 00

 THE CITY OF WINNIPEG WATER AND WASTE DEPARTMENT			
MONTCALM WASTEWATER PUMPING STATION 2011 UPGRADES LIGHTING CONTACTOR LC-L10			
CITY DRAWING NUMBER	SHEET	REV.	SIZE
1-0164L-E0032	001	00	A1