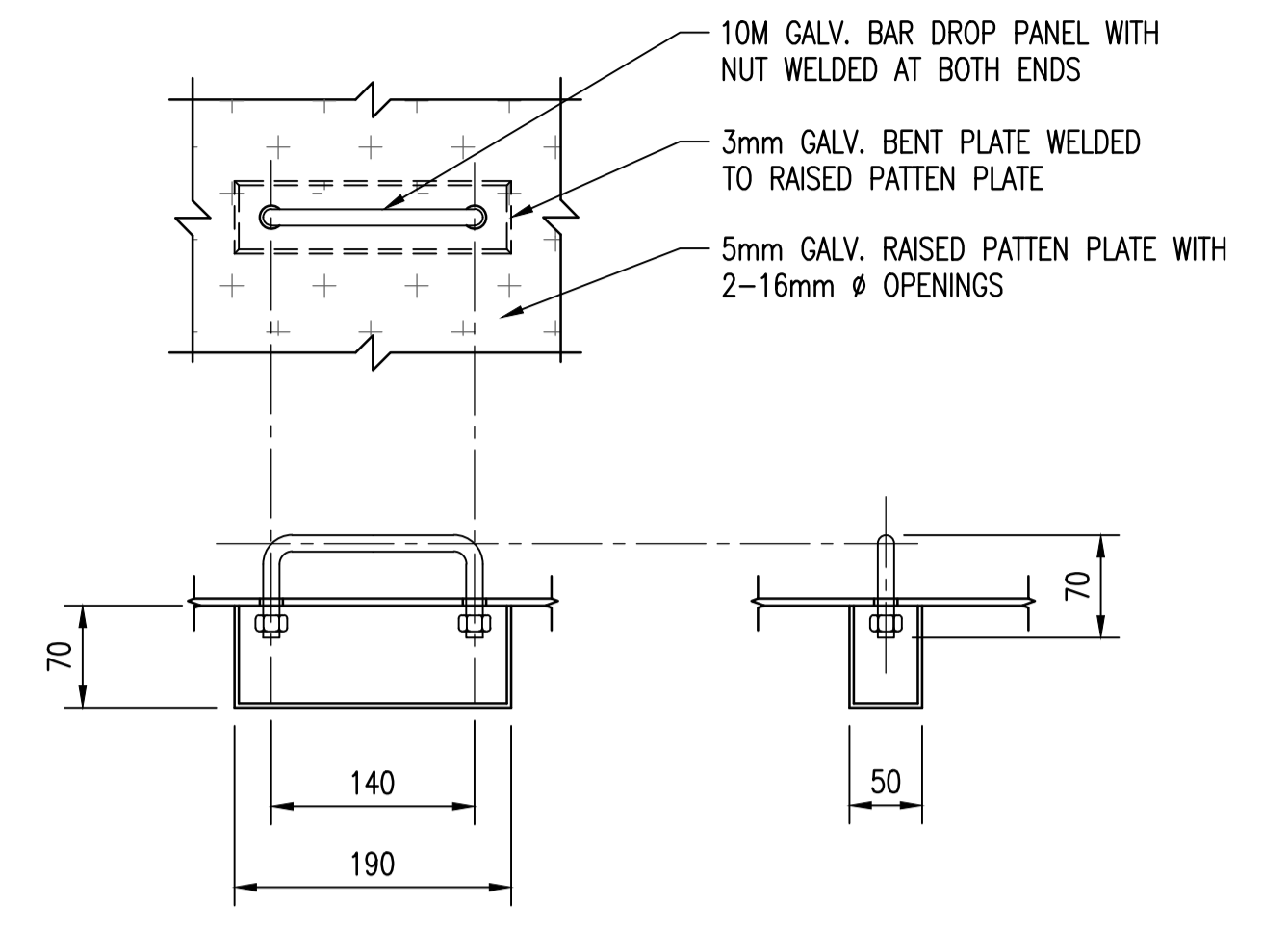
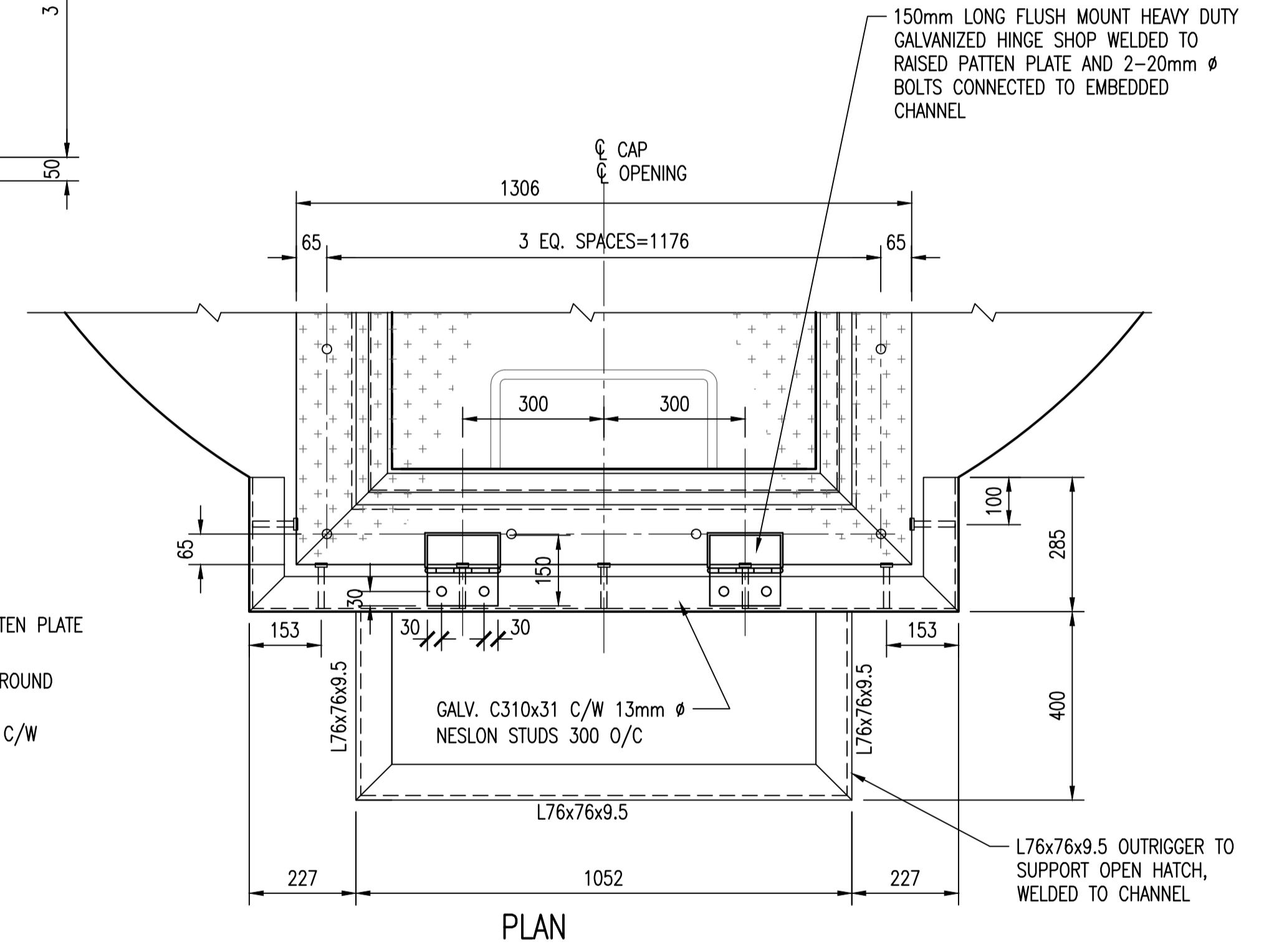


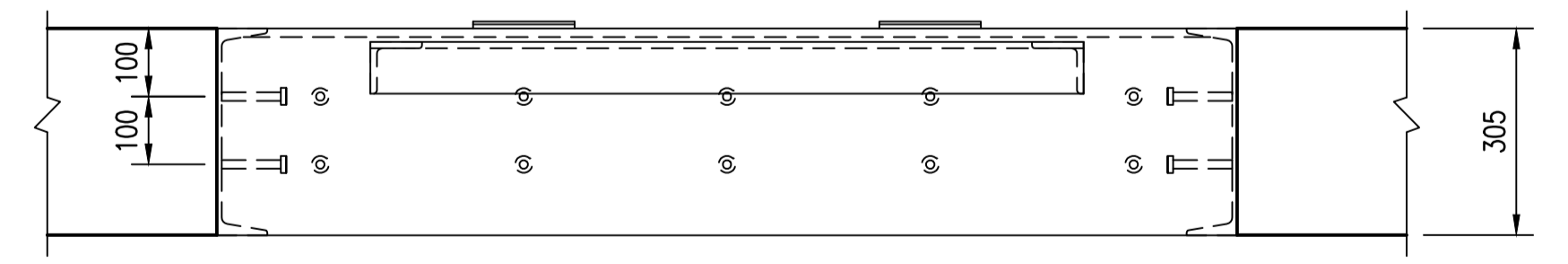
PLAN -TOP OF SLAB ELEVATION 230.732m
 SCALE: 1 : 10



DROP HANDLE DETAIL
 SCALE: 1 : 5

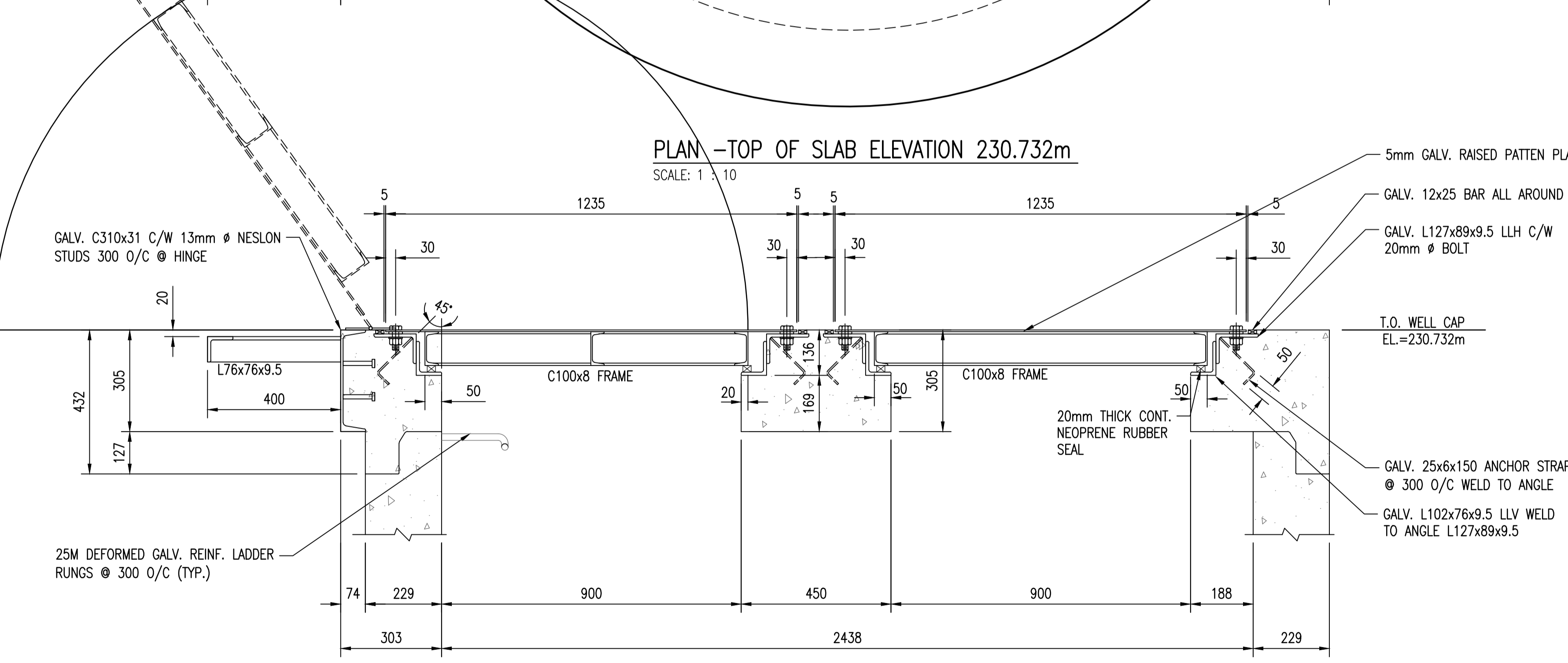


PLAN



ELEVATION

HINGE SUPPORT DETAIL
 SCALE: 1 : 10



SECTION
 SCALE: 1:10

APECM
 Certificate of Authorization
 SNC-Lavalin Inc.
 No. 4489

THE CITY OF WINNIPEG
 WATER AND WASTE DEPARTMENT
 MONTCALM WASTEWATER PUMPING STATION
 2011 UPGRADES
 STRUCTURAL STEEL
 FLOWMETER CHAMBER
 MANHOLE HATCHES

NO.	REVISIONS	DATE	DESIGN	CHECK
00	ISSUED FOR TENDER, BID OPP. 907-2011	2012/02/23	R.B.	D.S.

SNC-LAVALIN INC. 148 Nature Park Way Winnipeg, MB, Canada R3P 0X7 204-786-8080		ENGINEER'S SEAL ORIGINAL DRAWING SEALED BY: R.C.BEAN SNC-LAVALIN INC 2012/02/12 REV.00
DESIGNED BY: R. BEAN DRAWN BY: L. GAO SCALE: AS NOTED DATE: 2011/09/15	CHECKED BY: D. SIDHU APPROVED BY: C. REIMER RELEASED FOR CONSTRUCTION BY: K.R. ZUREK DATE: 2012/02/23	CONSULTANT NO.: 508042-0000-42DD-0008

CITY DRAWING NUMBER
1-0164L-S0008
 SHEET
001
 REV.
00
 SIZE
A1