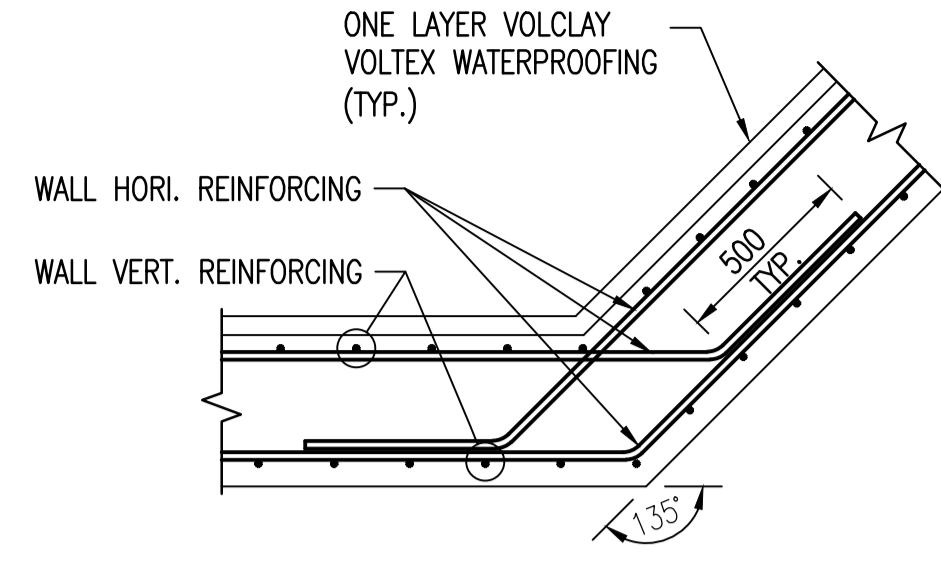
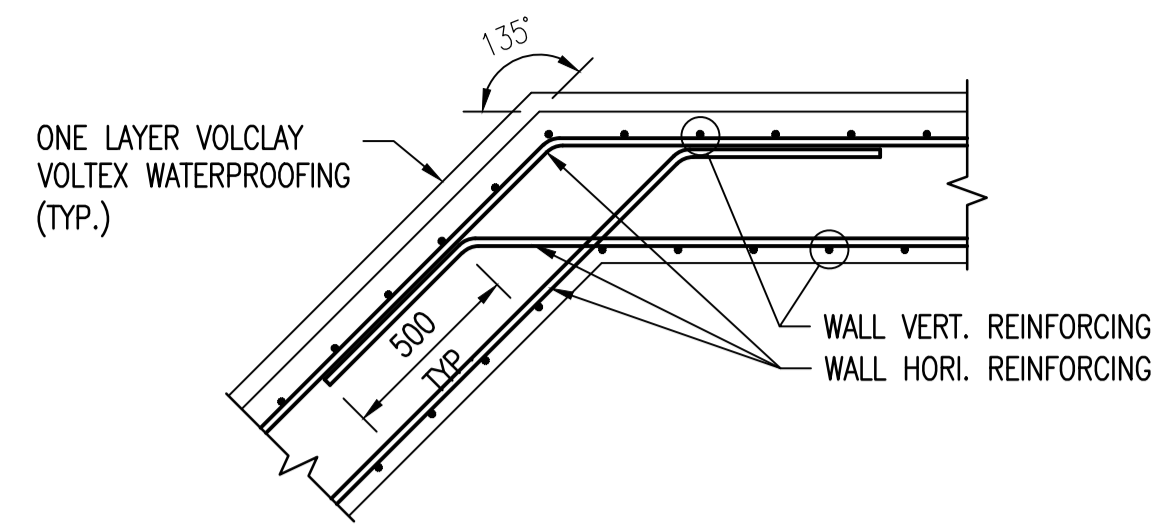


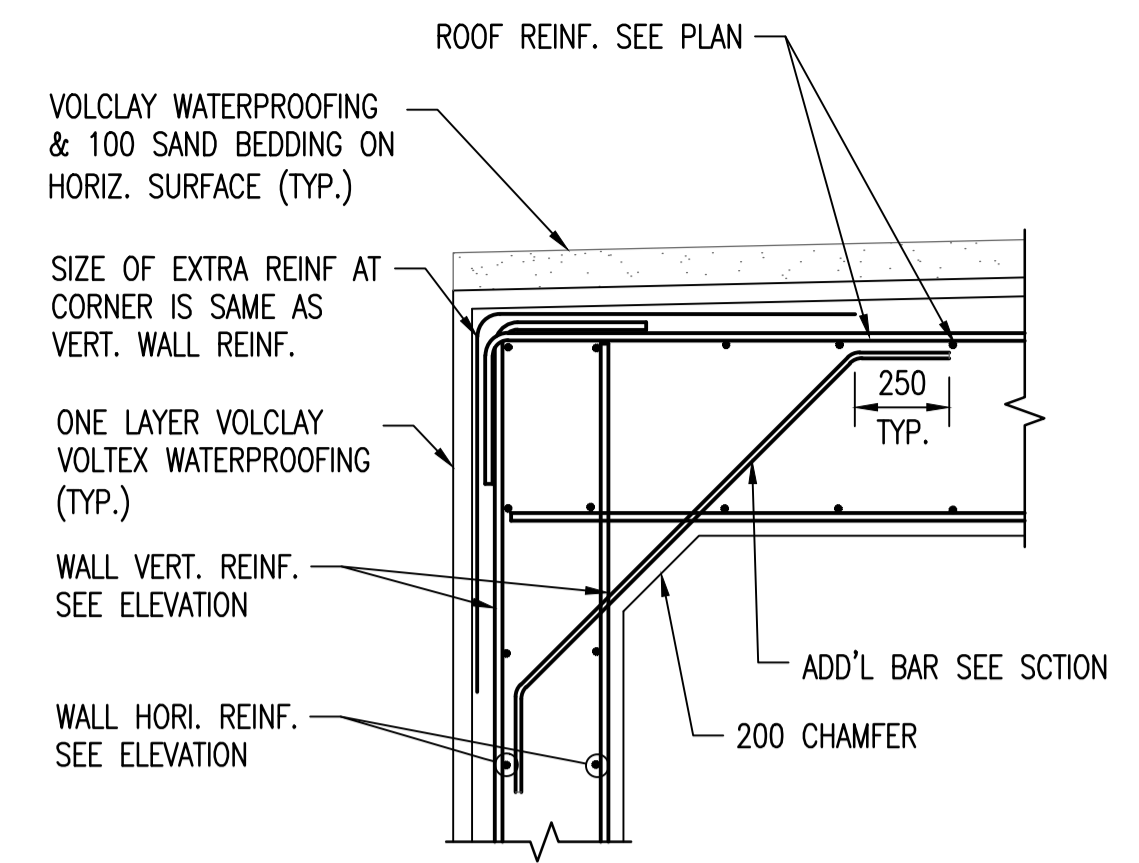
TYPICAL WALL CORNER DETAIL (HORZ.)
SCALE: 1 : 20



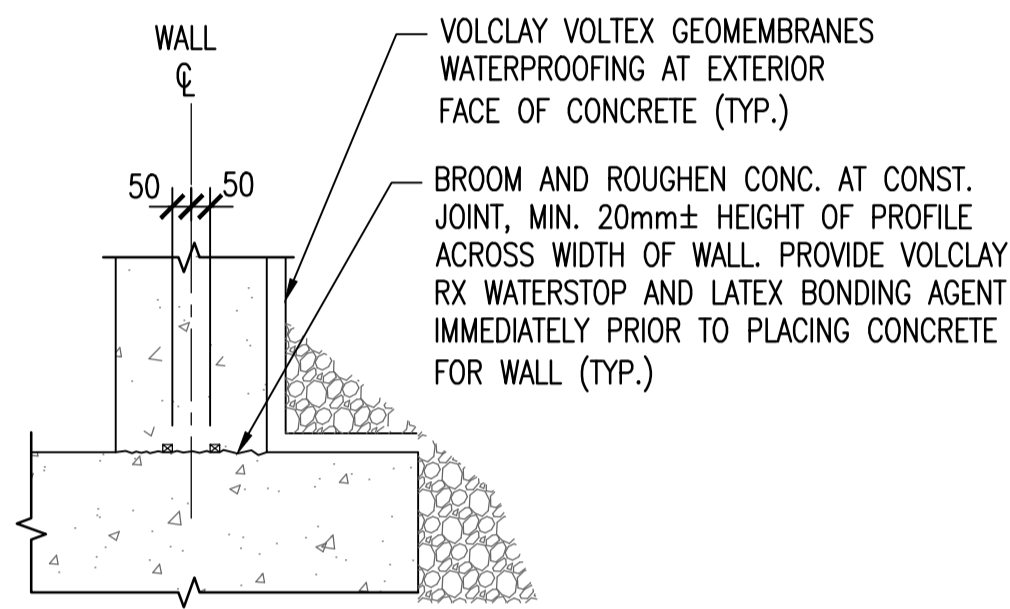
TYPICAL WALL CORNER DETAIL (HORI.)
SCALE: 1 : 10



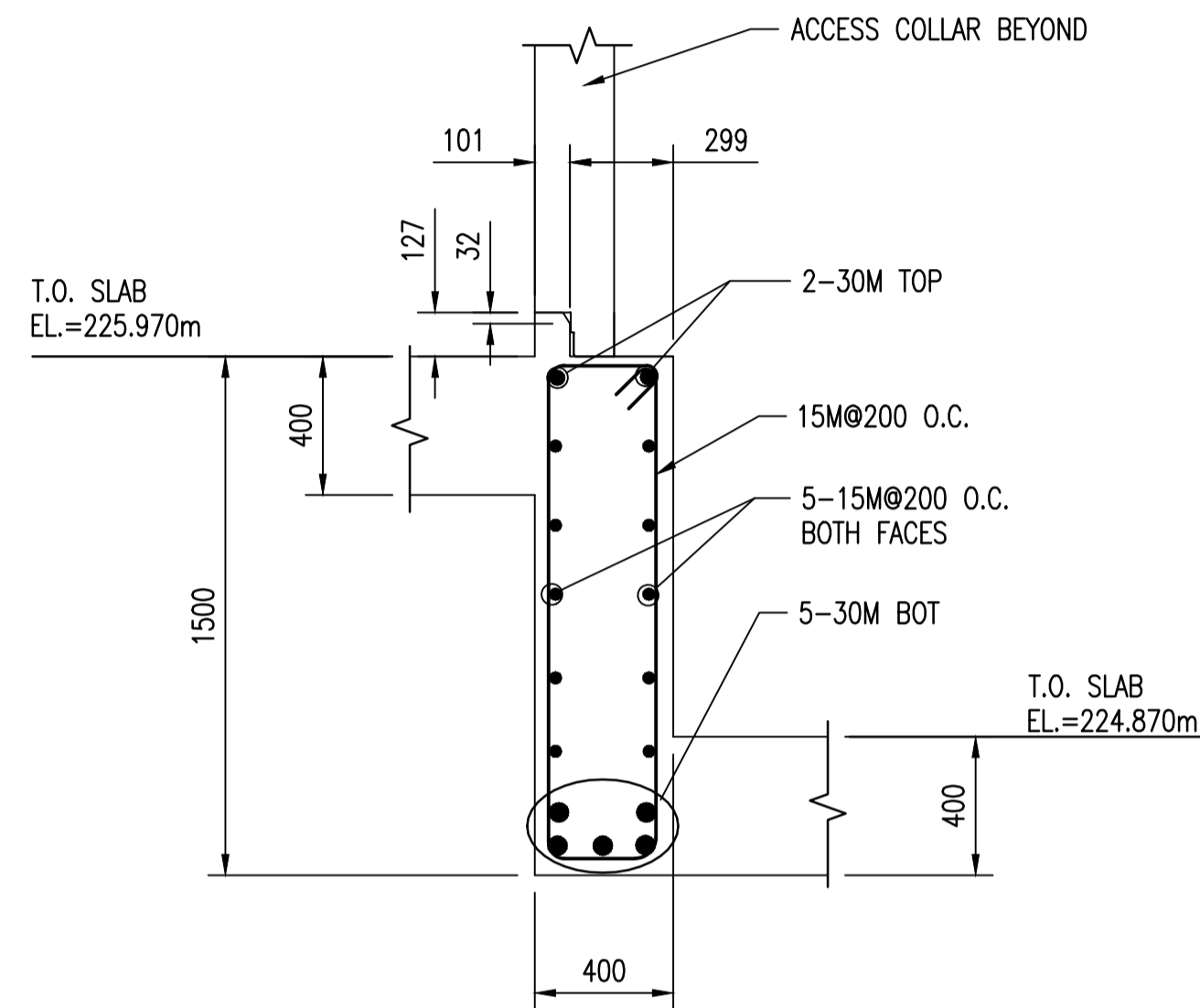
TYPICAL WALL CORNER DETAIL (HORI.)
SCALE: 1 : 10



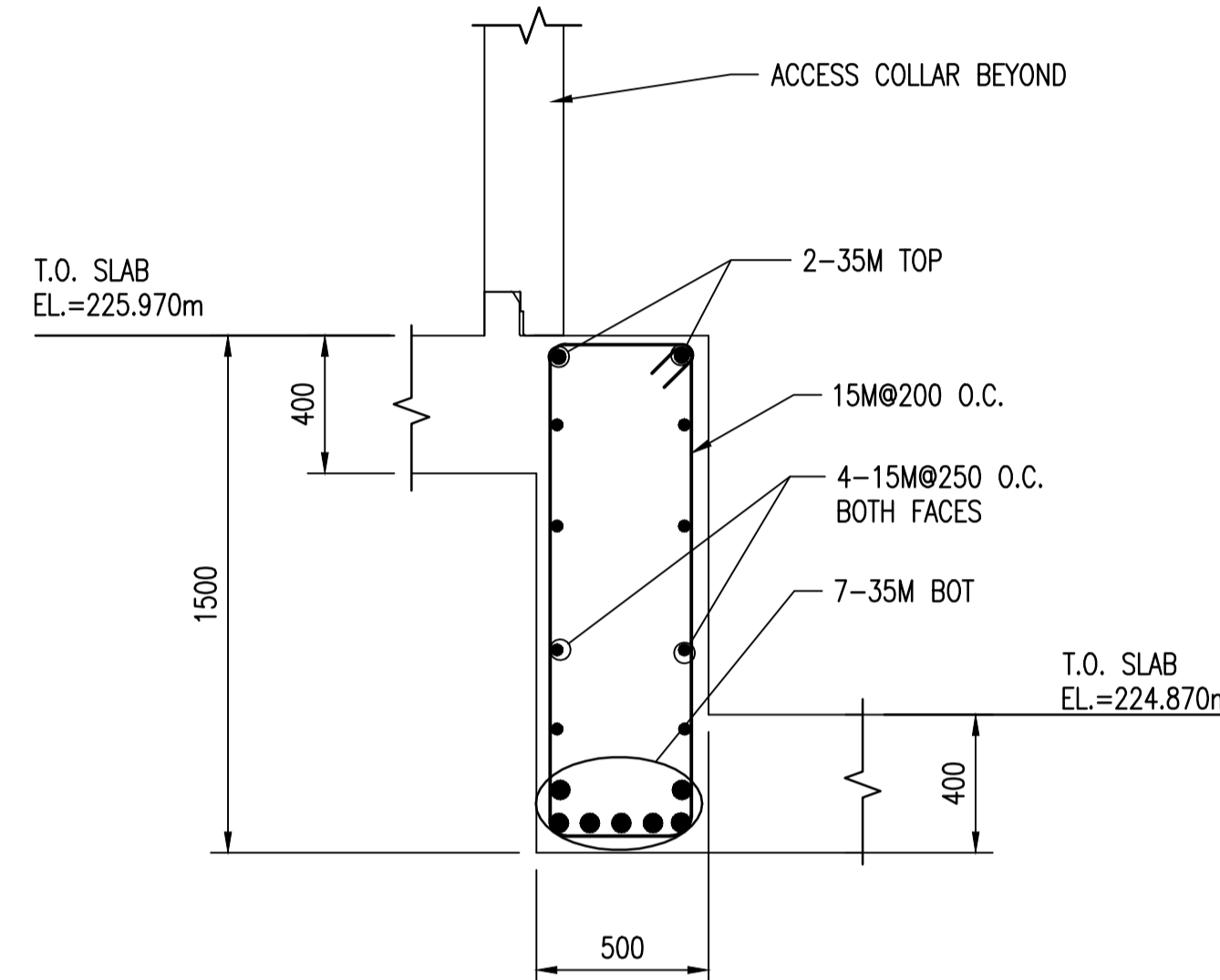
TYPICAL HAUNCH REINF. DETAIL
SCALE: 1 : 10



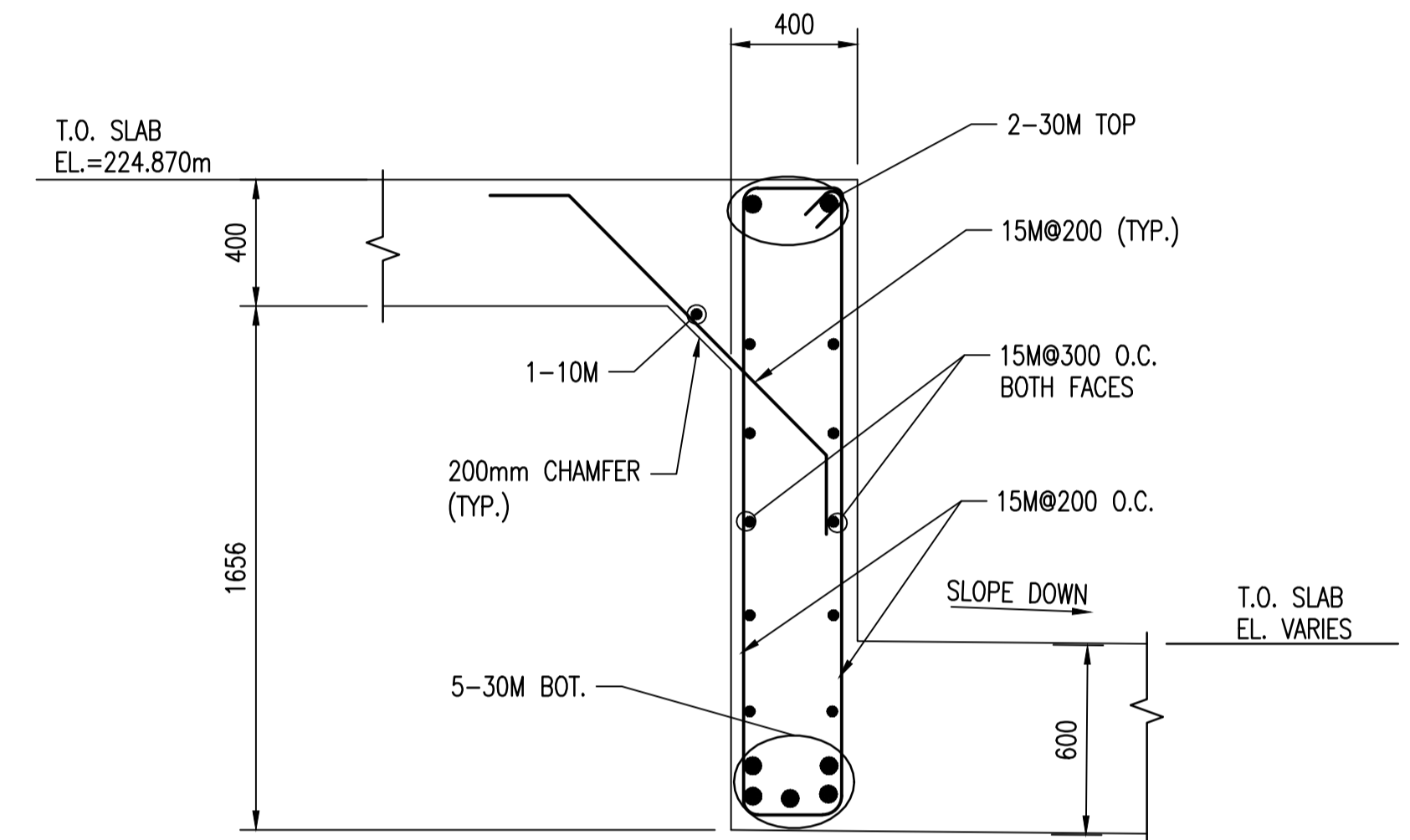
DETAIL-STANDARD WALL CONST. JOINT
SCALE: 1 : 20



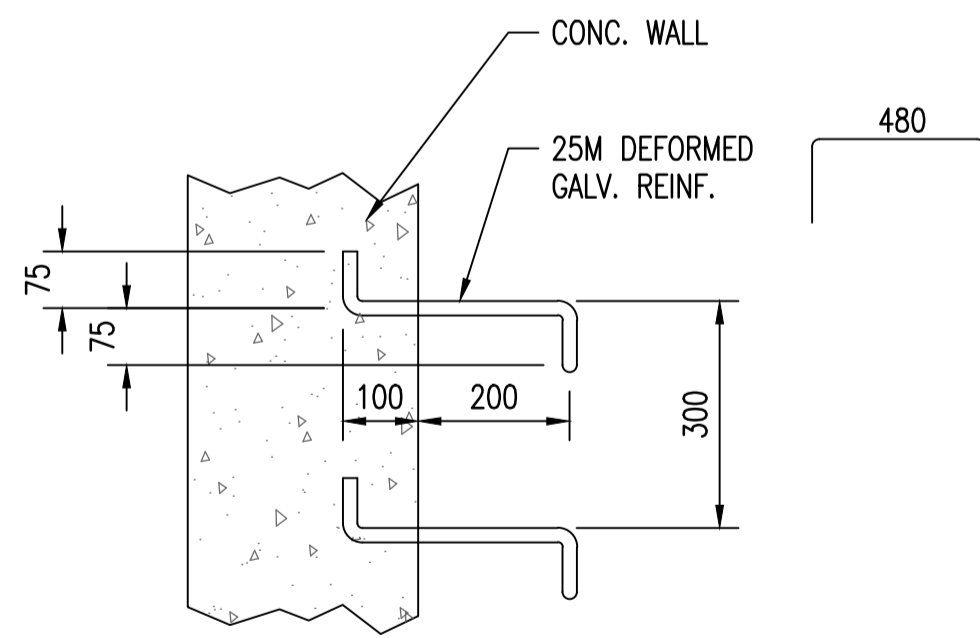
SECTION C
S0003 SCALE: 1 : 20



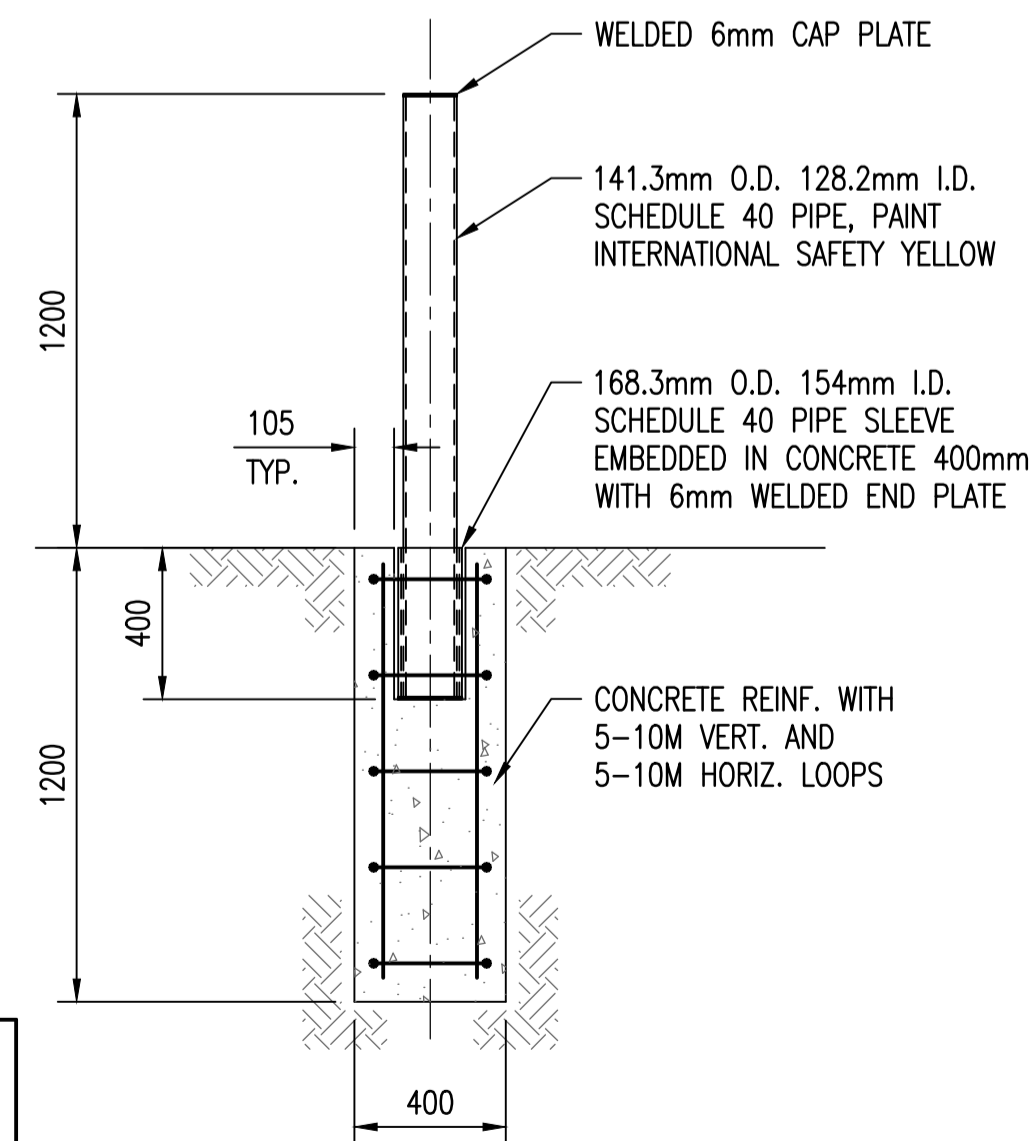
SECTION D
S0003 SCALE: 1 : 20



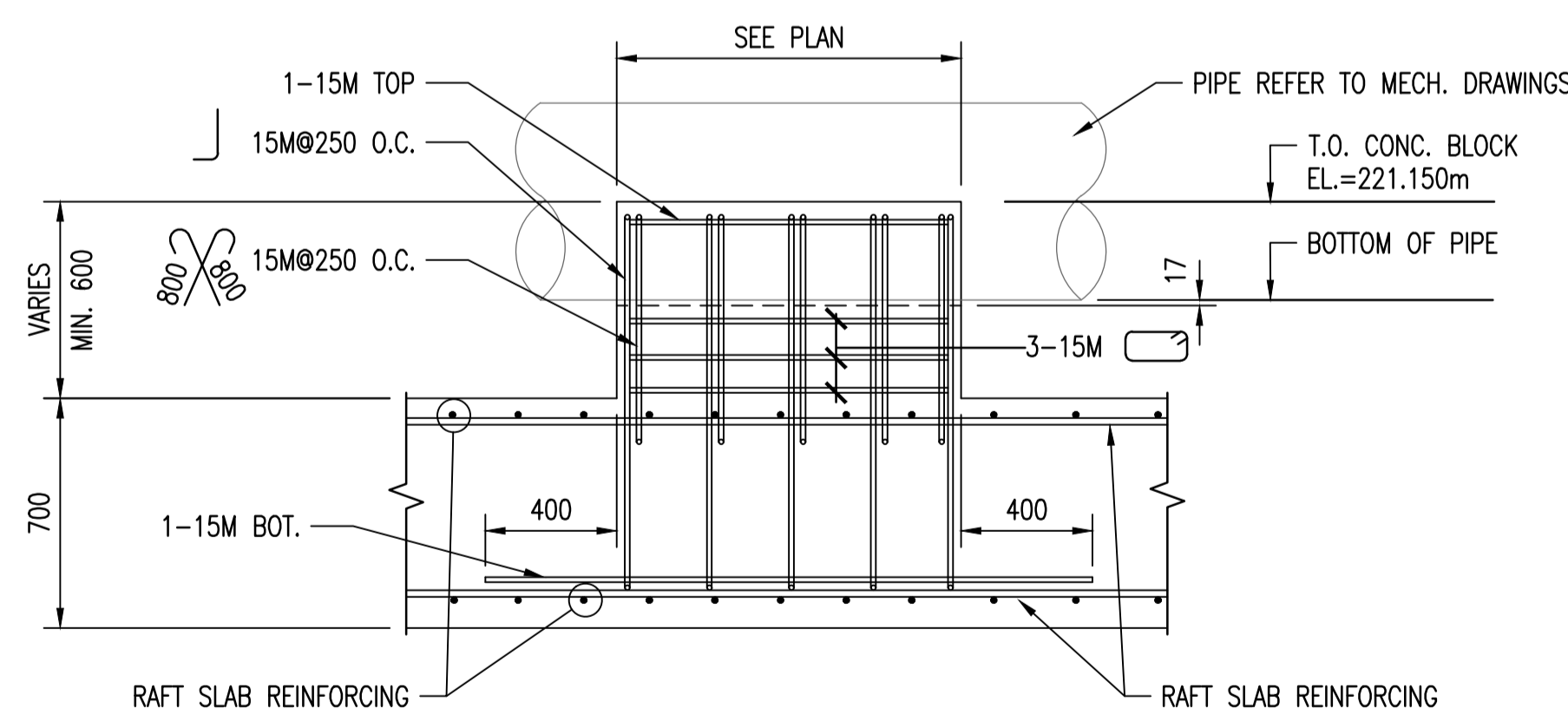
SECTION E
S0003 SCALE: 1 : 20



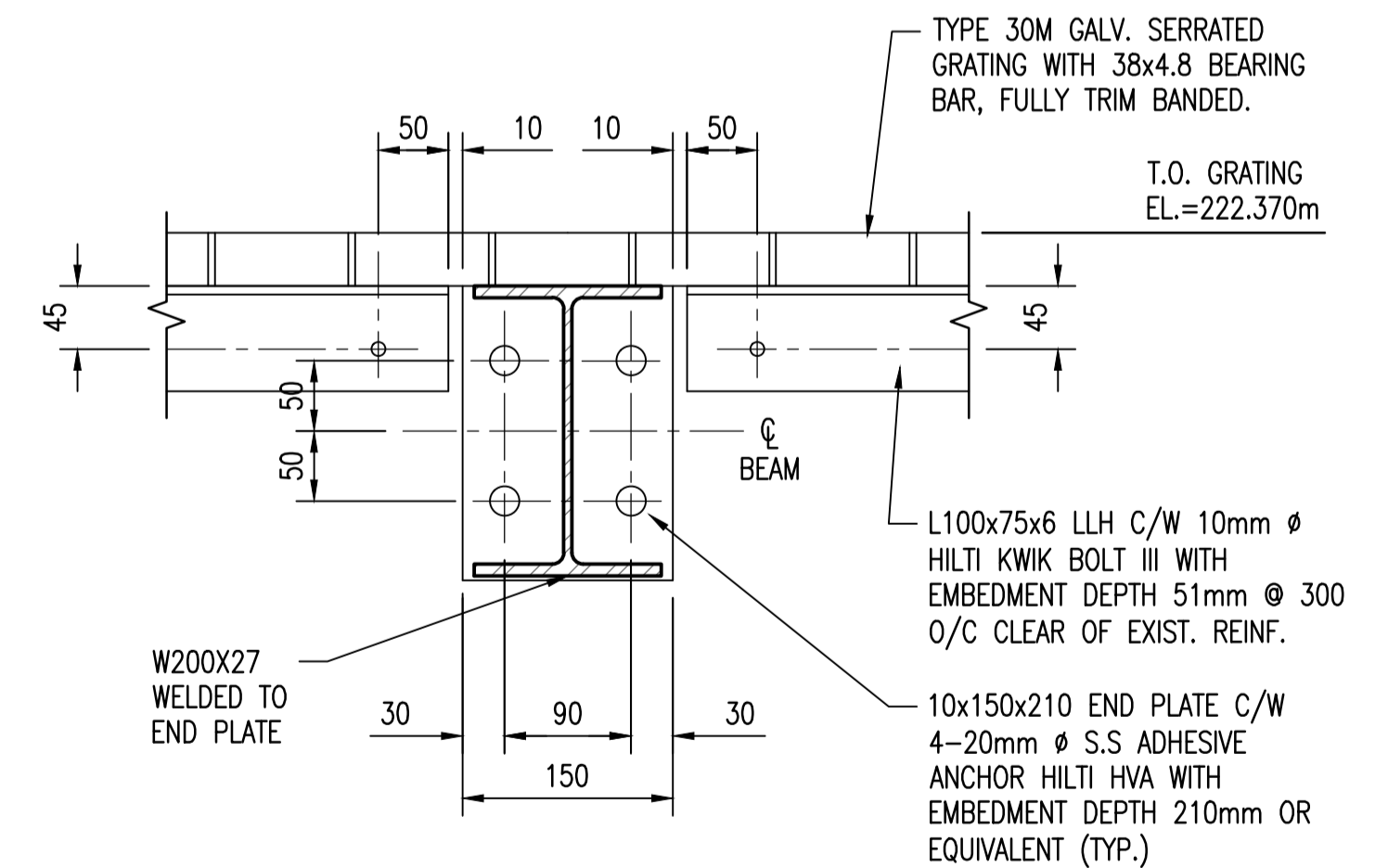
DETAIL-RUNG
SCALE: 1 : 10



DETAIL-REMOVABLE BOLLARD
SCALE: 1 : 20



DETAIL-PIPE SUPPORTING CONC. BLOCK
SCALE: 1 : 20



SECTION F
B0002 SCALE: 1 : 5

DRAWING NUMBER	REFERENCE DRAWINGS
----------------	--------------------

APECM
Certificate of Authorization
SNC-Lavalin Inc.
No. 4489

00	ISSUED FOR TENDER, BID OPP. 907-2011	2012/02/02	R.B.	D.S.
NO.	REVISIONS	DATE	DESIGN	CHECK

SNC-Lavalin Inc.
148 Nature Park Way
Winnipeg, MB, Canada R3P 0X7
204-786-8080

DESIGNED BY: R. BEAN
CHECKED BY: D. SIDHU
DRAWN BY: L. GAO
APPROVED BY: C. REIMER
SCALE: AS NOTED
RELEASED FOR CONSTRUCTION BY: K.R. ZUREK
DATE: 2011/09/15
DATE: 2012/02/23

CONSULTANT NO.: 508042-0000-42DD-0010

ENGINEER'S SEAL

ORIGINAL DRAWING SEALED BY: R.C.BEAN
SNC-Lavalin Inc.
2012/02/12
REV.00

THE CITY OF WINNIPEG
WATER AND WASTE DEPARTMENT

MONTCALM WASTEWATER PUMPING STATION
2011 UPGRADES
STRUCTURAL REINFORCING
FLOWMETER CHAMBER
DETAILS

CITY DRAWING NUMBER: 1-0164L-S0010
SHEET: 001
REV: 00
SIZE: A1