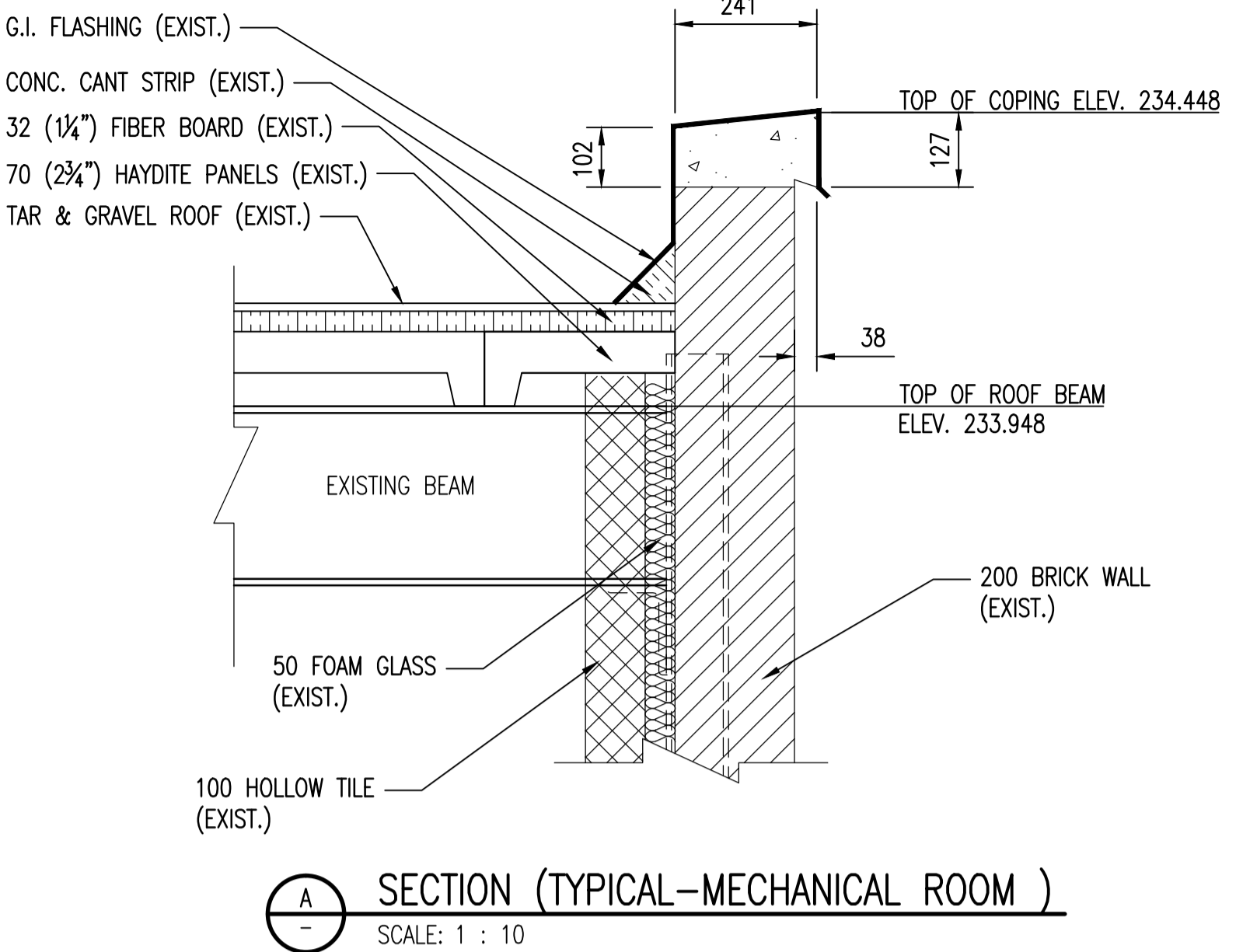
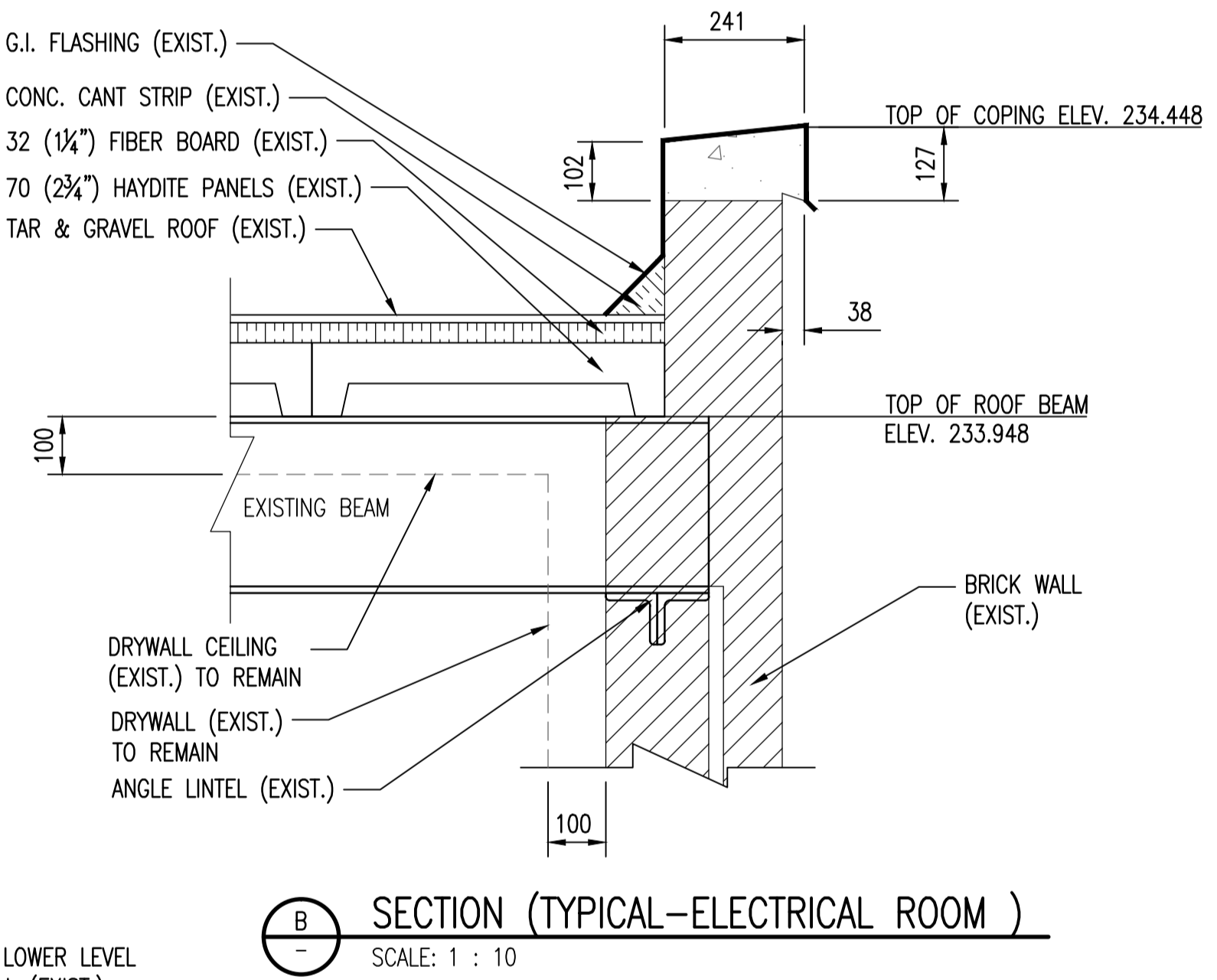


- DEMOLITION WORK**
1. DISMANTLE THE ROOF OF THE MAIN FLOOR AT ELEVATION 233.948.
 2. DISPOSE OF ALL DISMANTLED WASTE MATERIALS.

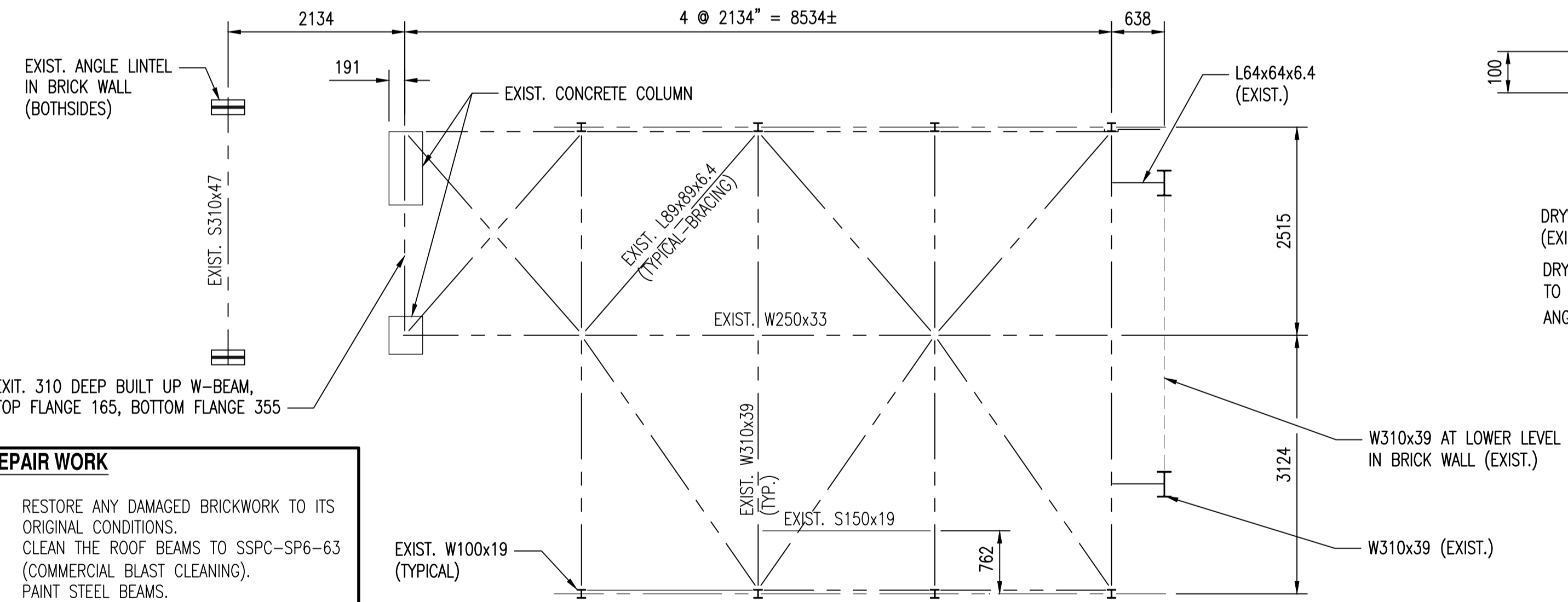
MAIN FLOOR ROOF PLAN (EXIST.)
SCALE: 1 : 50



SECTION (TYPICAL-MECHANICAL ROOM)
SCALE: 1 : 10



SECTION (TYPICAL-ELECTRICAL ROOM)
SCALE: 1 : 10



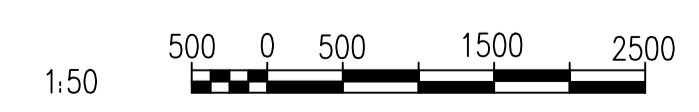
- REPAIR WORK**
1. RESTORE ANY DAMAGED BRICKWORK TO ITS ORIGINAL CONDITIONS.
 2. CLEAN THE ROOF BEAMS TO SSPC-SP6-63 (COMMERCIAL BLAST CLEANING).
 3. PAINT STEEL BEAMS.

MAIN FLOOR ROOF STEEL FRAMING PLAN (EXIST.) TO REMAIN
SCALE: 1 : 50

NOTES:

1. SEE DRAWING 1-0164L-S0001 FOR GENERAL NOTES.

263	SUPERSTRUCTURE DETAILS
264	CONCRETE AND STEEL DETAILS
DRAWING NUMBER	REFERENCE DRAWINGS



00	ISSUED FOR TENDER BID OPP. 907-2011	2012/02/24	DS	RB
NO.	REVISIONS	DATE	DESIGN	CHECK

SNC-LAVALIN INC. 148 Nature Park Way Winnipeg, MB, Canada R3P 0X7 204-786-8080	
DESIGNED BY: D. SIDHU	CHECKED BY: R. C. BEAN
DRAWN BY: M. TUGADE	APPROVED BY: C. J. REIMER
SCALE: AS SHOWN	RELEASED FOR CONSTRUCTION BY: K.R. ZUREK
DATE: 2011/09/29	DATE: 2012/02/24
CONSULTANT NO.: 508042-0000-42DD-0013	

ENGINEER'S SEAL

ORIGINAL DRAWING SEALED BY:
D. S. SIDHU
SNC-LAVALIN
MEMBER #24837
2012/02/24
REV. 00

THE CITY OF WINNIPEG
WATER AND WASTE DEPARTMENT

MONTCALM WASTEWATER PUMPING STATION
2011 UPGRADES
PLANS AND SECTIONS
MAIN FLOOR ROOF DEMOLITION AND REPAIR WORK

CITY DRAWING NUMBER	SHEET	REV.	SIZE
1-0164L-S0013	001	00	A1