

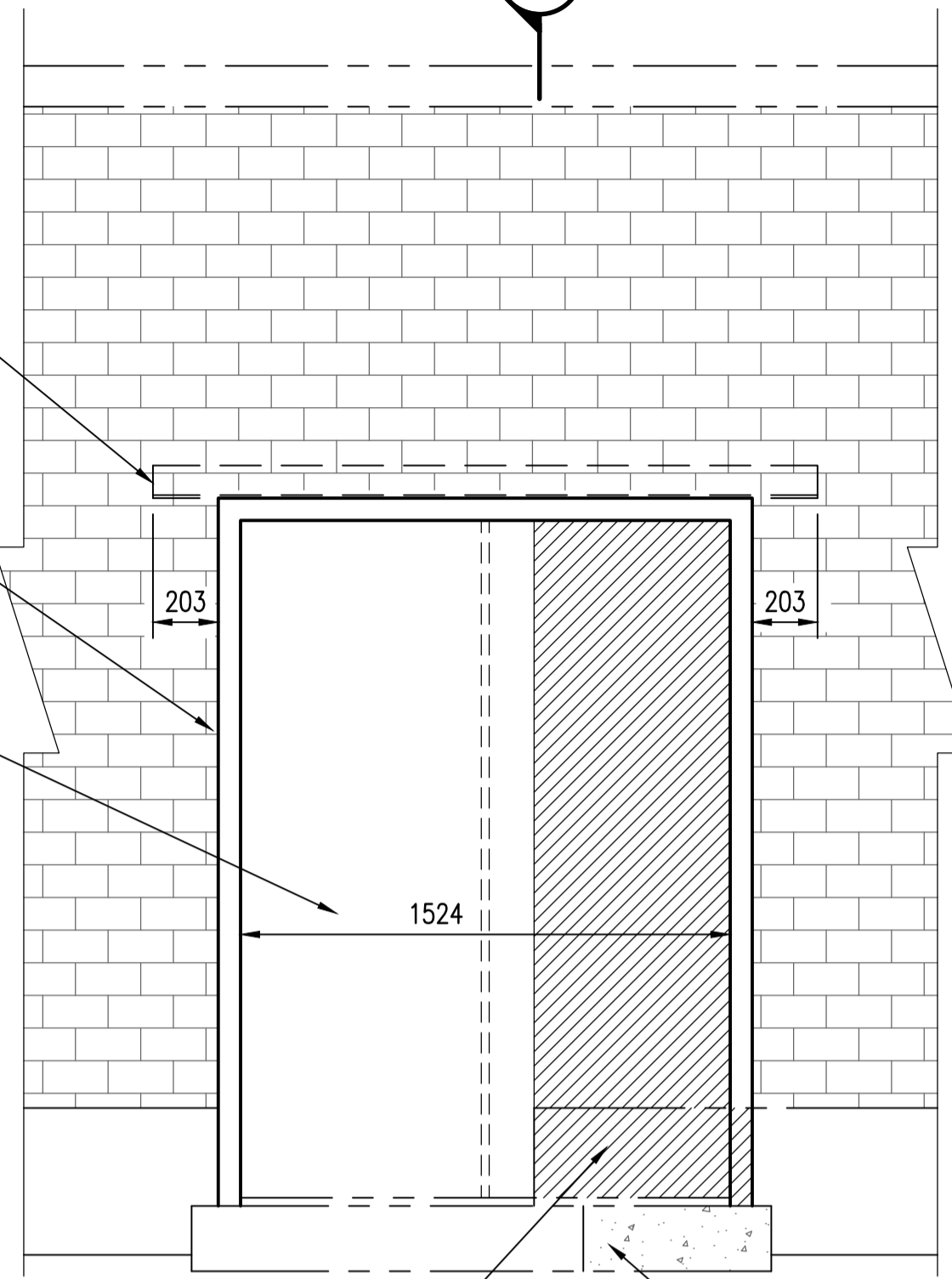
NEW LINTEL ANGLES
(JOINED TOGETHER BY 13mm TACK
WELDS @ 150mm O/C AT TOP AND
BOTTOM)

DISMANTLE THE EXISTING
905x2110 STEEL DOOR AND
FRAME

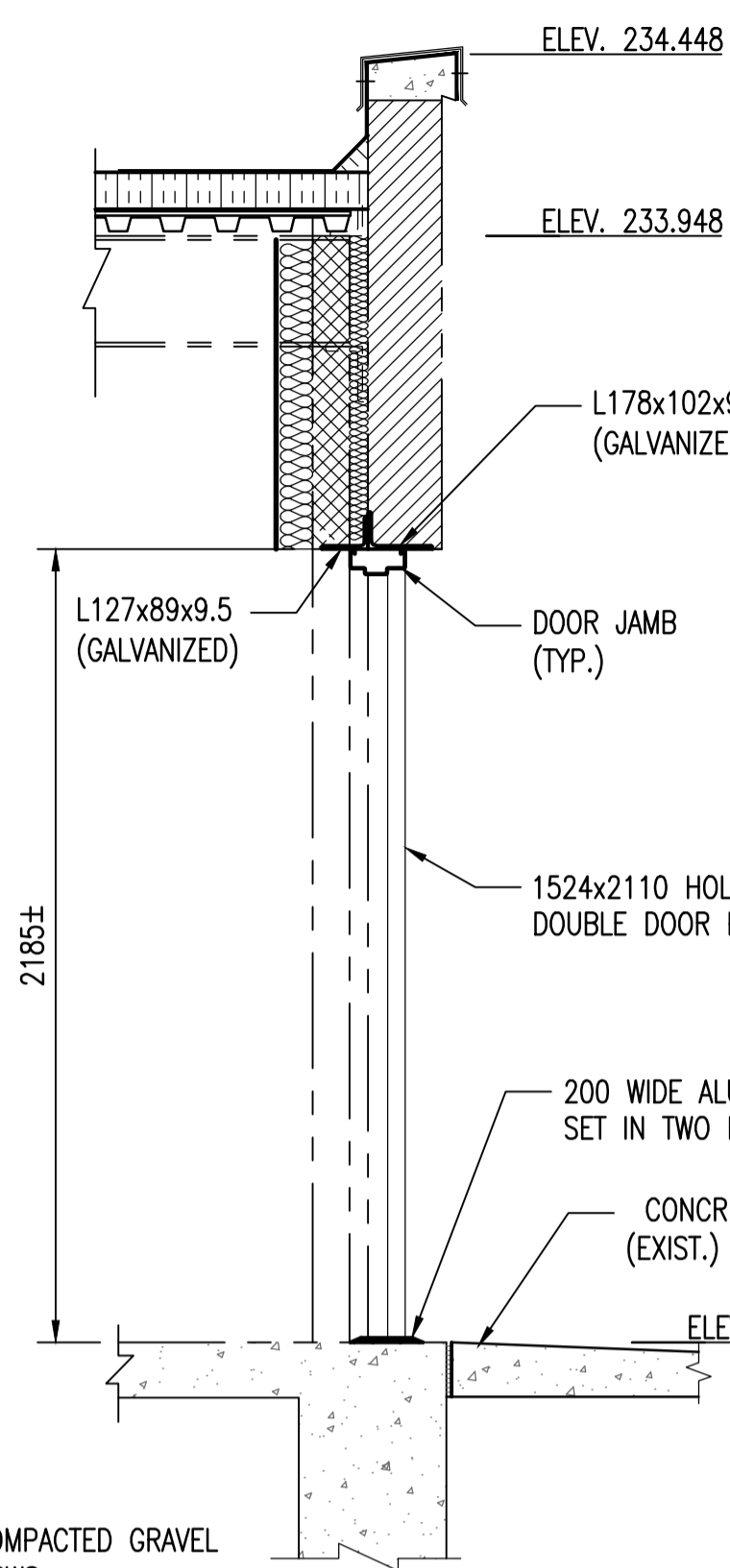
SUPPLY AND INSTALL NEW
1524x2110 DOUBLE STEEL
DOOR AND FRAME

ELEV. 234.448

ELEV. 230.900



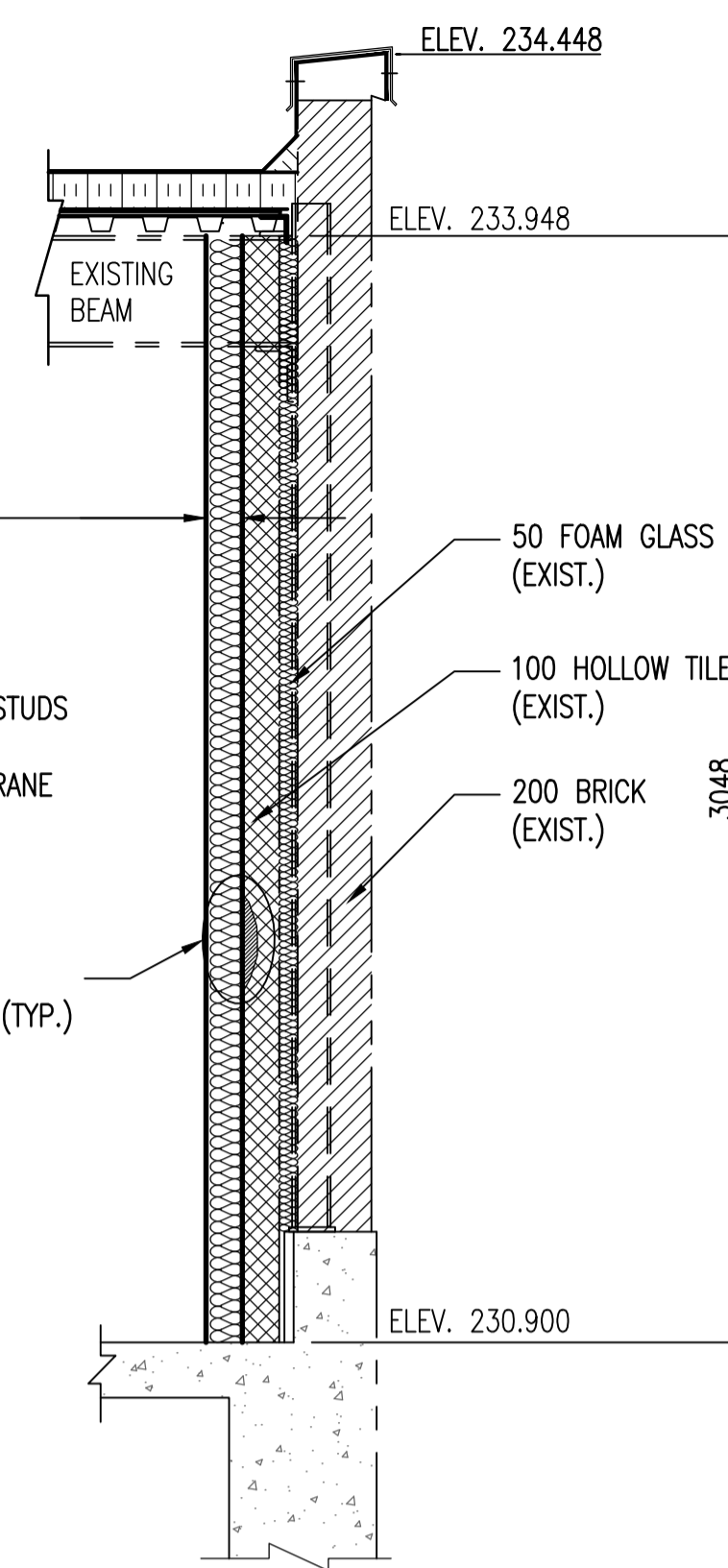
PARTIAL WALL FRONT ELEVATION
SCALE: 1 : 20



SECTION A
SCALE: 1 : 20

NEW WALL INSULATION (TYP.)
19- PLYWOOD PAINTED
0.15 (6 MIL) POLY VAPOR BARRIER
ROXUL COMFORTBATT R14
INSULATION FOR STEEL STUDS
92mm-20 GAGE GALVANIZED STEEL STUDS
AT 400mm O/C
BAKOR BLUESKIN SA REGULAR MEMBRANE

REPAIR OF INTERIOR
SURFACE OF WALLS (TYP.)



TYPICAL WALL SECTION (MECHANICAL ROOM ONLY)
SCALE: 1 : 20
(NEW WALL INSULATION IN MECHANICAL ROOM ONLY)

NOTES:

- SEE DRAWING 1-0164L-S0001 FOR GENERAL NOTES.
- SIZES AND LOCATIONS OF THE FLOOR PENETRATIONS TO BE COORDINATED WITH MECHANICAL CONTRACTOR.

CONCRETE REPAIRS :
(FOR LIFTING STATION REPAIRS ONLY)

- SCRAPE THE SURFACE TO REMOVE ALL DEPOSITS.
- CHIP AWAY ALL LOOSE MATERIAL FROM THE SCRAPPED AREA.
- CLEAN THE EXPOSED STEEL AND APPLY CIMGUARD-20 OR APPROVED EQUAL CORROSION INHIBITING PRIMER.
- APPLY CEMENT SLURRY AS BONDING AGENT ON EXPOSED SURFACE CEMENT (Hsb): SAND 1:1 W/C RATIO = 0.45
- NON-SHRINK, NON-METALLIC CEMENTITIOUS GROUT TO BE SIKA 212R OR MASTER FLOW 928.
- APPLY STRUCTURAL REPAIRS AS INDICATED ON THE DRAWINGS.

REPAIR OF INTERIOR SURFACE OF WALLS (TYP.)
(MECHANICAL ROOM ONLY)

- REMOVE LOOSE MATERIAL FROM THE WALLS USING SAND BLASTING. MARK OUT 1mx1m AREA IN ONE CORNER AND TEST SAND BLASTING IN THAT AREA. CONTACT THE CONTRACT ADMINISTRATOR IF SAND BLASTING CAUSES EXTENSIVE DAMAGE TO THE WALL SURFACE.
- APPLY BAKOR BLUESKIN SA REGULAR BARRIER MEMBRANE.

REPAIR OF CONCRETE FLOOR
(MECHANICAL ROOM ONLY)

- CLEAN AND PROFILE THE CONCRETE SURFACE USING A SHOT BLASTER TO CSP-2. (CONCRETE SURFACE PROFILE)
- SMOOTH GRIND UNEVEN SURFACE AND REPAIR USING NON SHRINK GROUT IF REQUIRED.
- PAINT THE CONCRETE SURFACE.

BATT INSULATION:

- MATERIAL: ROXUL COMFORT BATT R14 INSULATION FOR STEEL STUDS OR APPROVED EQUAL.
- VAPOUR BARRIER: MINIMUM 6MIL POLYETHYLENE TAPE SEAL ALL JOINTS AND JUNCTIONS.
- INSTALL INSULATION TO MAINTAIN CONTINUITY OF THERMAL BARRIER, FIT TIGHT TO PENETRATIONS. SEAL JOINTS AND JUNCTIONS. DO NOT COMPRESS.

DOORS:

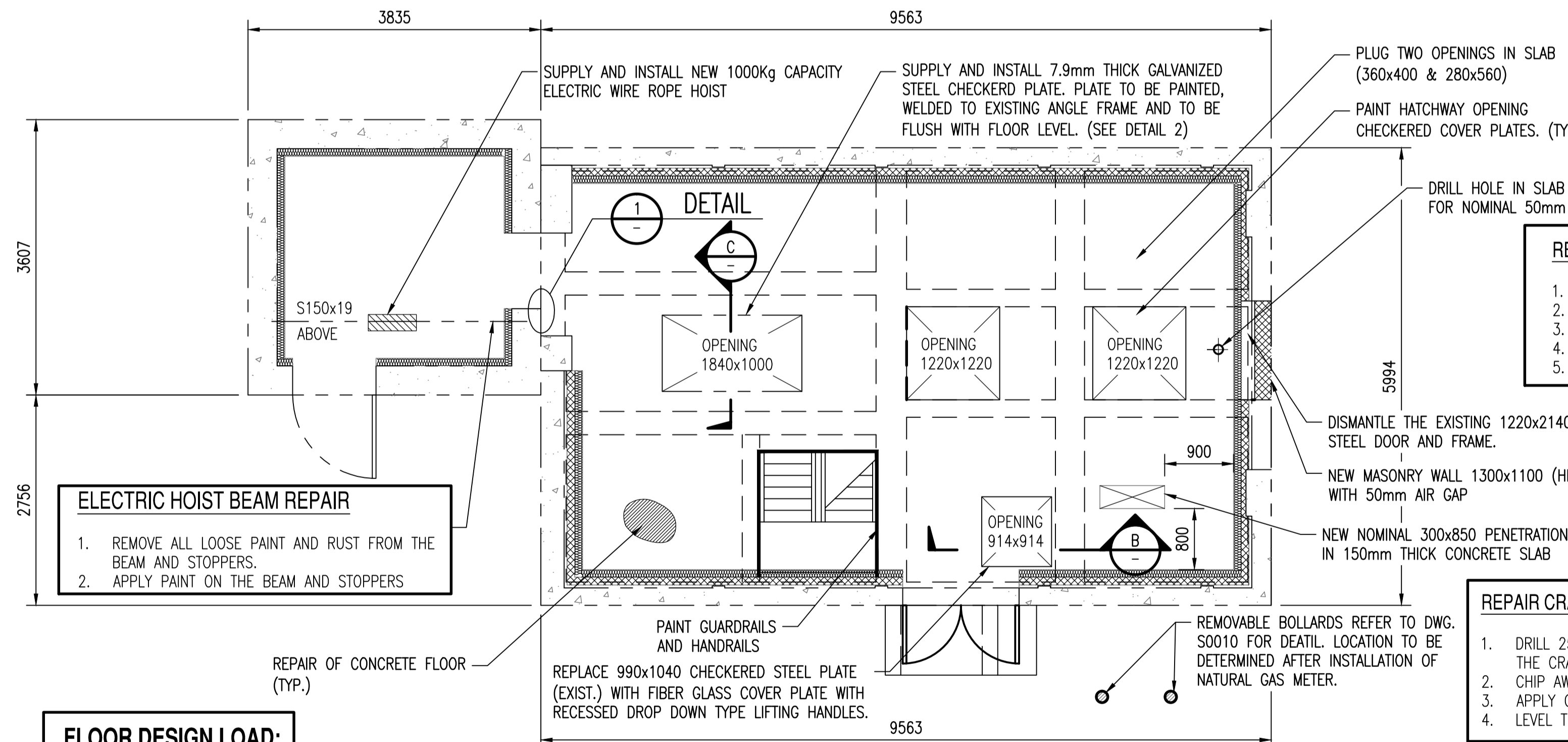
- EXTERIOR DOORS: 45 MM STEEL DOOR, 18 GAUGE, WITH POLYURETHANE INSULATION FILL.
- EXTERIOR FRAME: 16 GAUGE PRESSED STEEL FRAME, BATT INSULATION FILL, FIX TO WALL WITH A MINIMUM OF 4 ANCHORS PER JAMB.
- REFER TO SPECIFICATIONS FOR DOOR HARDWARE.

FINISH:

- REFER TO SPECIFICATIONS FOR PAINT FINISHES AND FORMULAE.
- SPRINKLE CLEAN SILICA SAND IN PAINT FINISH ON CONCRETE FLOOR TO PROVIDE A SLIP RESISTANT FINISH.

CAULKING:

- CAULKING: CLEAR SILICON.
- BACKER: ETHAFOAM SB, OVERSIZED 30%.



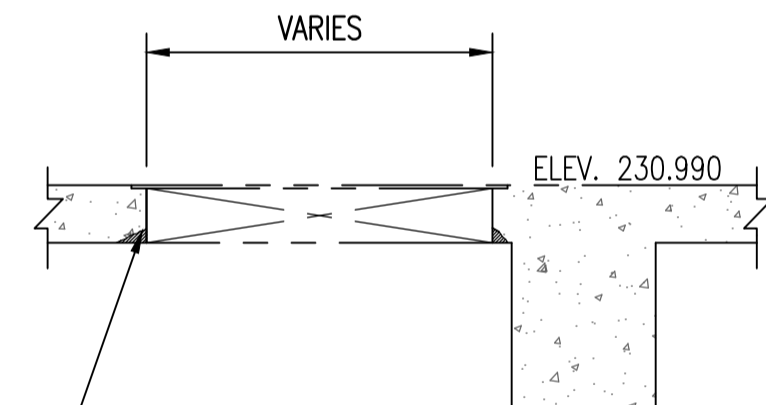
FLOOR PLAN AT ELEV. 230.900
SCALE: 1 : 50

REPAIR DAMAGED CONCRETE AND EXPOSED STEEL

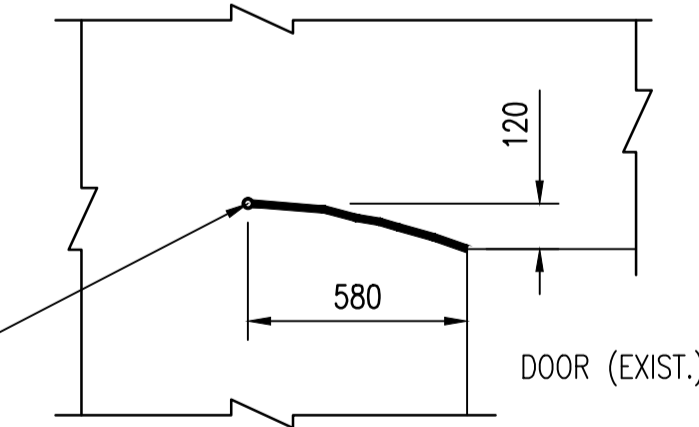
- CHIP AWAY THE LOOSE MATERIAL
- USE A WIRE BRUSH TO REMOVE LOOSE RUST FROM STEEL
- APPLY CORROSION INHIBITING PRIMER ON STEEL
- APPLY CEMENT SLURRY ON CONCRETE
- APPLY NON SHRINK GROUT TO CONCRETE

REPAIR CRACK IN THE WALL

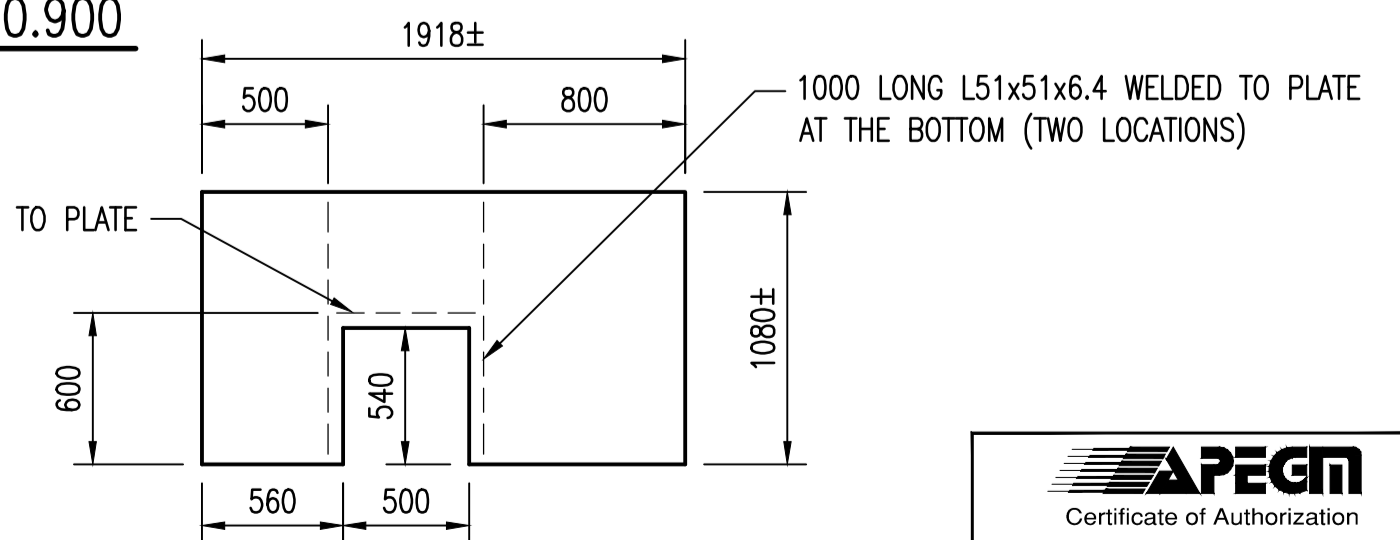
- DRILL 25mm DIA x 100mm DEEP HOLE AT THE TIP OF THE CRACK.
- CHIP AWAY LOOSE MATERIAL AROUND THE CRACK LINE.
- APPLY CEMENT SLURRY ON EXPOSED SURFACE
- LEVEL THE SURFACE WITH NON SHRINK GROUT.



SECTION B-C
SCALE: 1 : 20



DETAIL 1
SCALE: 1 : 20



DETAIL - NEW CHECKERED PLATE
SCALE: 1 : 30



		SNC-LAVALIN INC. 148 Nature Park Way Winnipeg, MB, Canada R3P 0X7 204-786-8080	
DESIGNED BY:	D. SIDHU	CHECKED BY:	R. C. BEAN
DRAWN BY:	M. TUGADE	APPROVED BY:	C. J. REIMER
SCALE:	AS SHOWN	RELEASED FOR CONSTRUCTION BY:	K.R. ZUREK
DATE:	2011/09/29	DATE:	2012/02/24
ISSUED FOR TENDER BID OPP. 907-2011	2012/02/24	DS	RB
NO. REVISIONS	DATE	DESIGN	CHECK
CONSULTANT NO.:		508042-0000-42DD-0015	

ENGINEER'S SEAL

ORIGINAL DRAWING SEALED BY:
D. S. SIDHU
SNC-LAVALIN
MEMBER #24837
2012/02/23
REV. 00

THE CITY OF WINNIPEG
WATER AND WASTE DEPARTMENT

Winnipeg logo

MONTCALM WASTEWATER PUMPING STATION
2011 UPGRADES
PLAN, ELEVATION, SECTIONS AND DETAIL
MAIN FLOOR REPAIRS

CITY DRAWING NUMBER	SHEET	REV.	SIZE
1-0164L-S0015	001	00	A1

263	SUPERSTRUCTURE DETAILS
264	CONCRETE AND STEEL DETAILS
DRAWING NUMBER	REFERENCE DRAWINGS