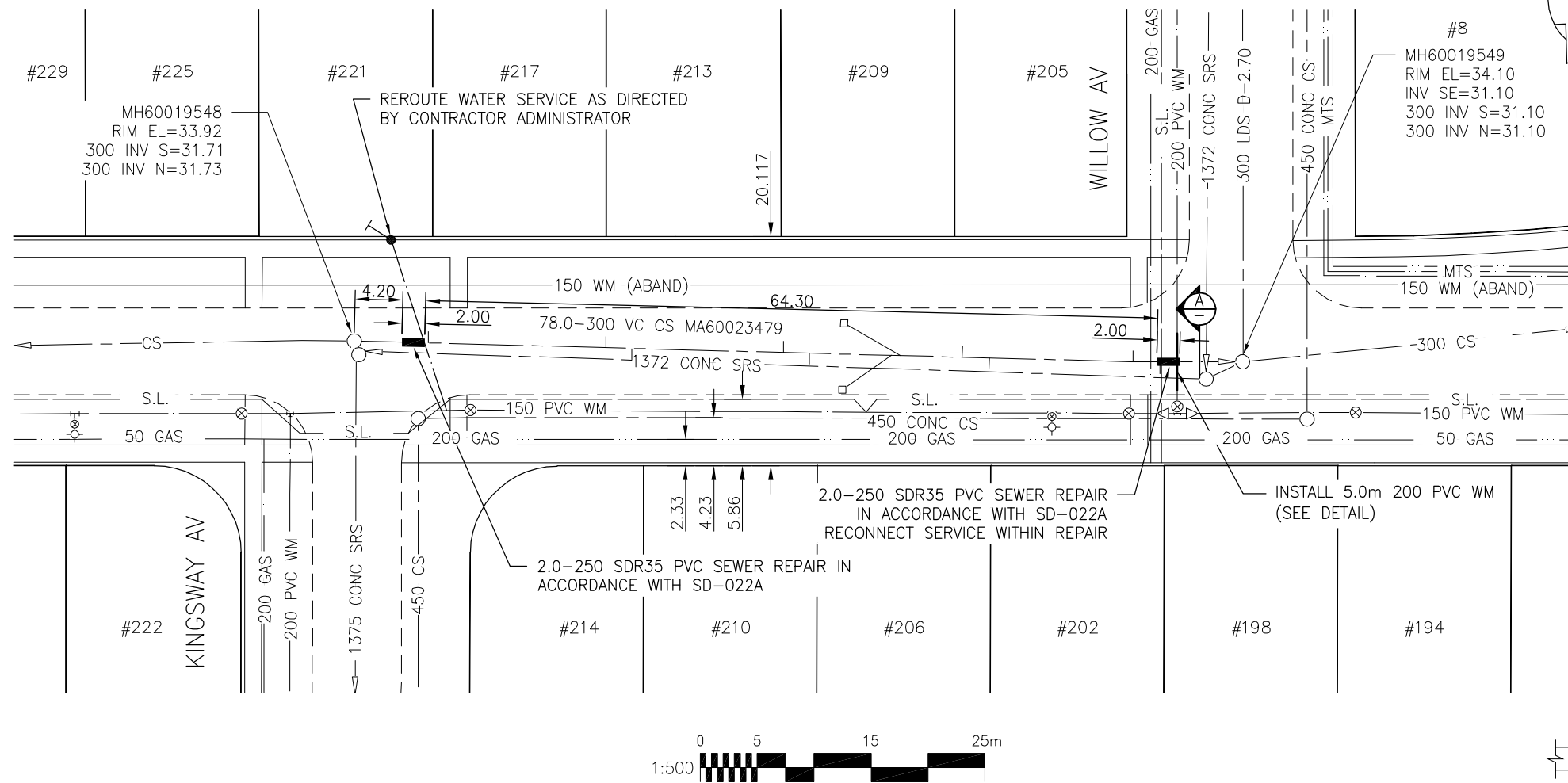
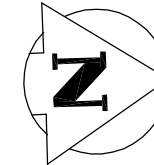


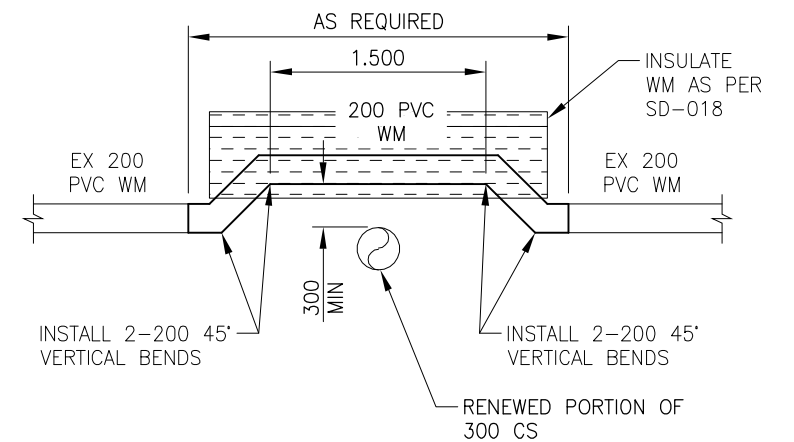
LOCKWOOD STREET



SEWER JUNCTION INFORMATION
FOR SEWER ID MA60023479
REFERENCE—METERS NORTH OF MANHOLE MH60019548

DIST. FROM REF. MH	JUNCTION DIA.	CLOCK REF.	SERVICE TYPE	DESCRIPTION
6.5	150	10	JN	
22.1	150	10	JN	LIVE
24.4	150	02	CNI	LIVE
37.7	150	10	JN	
40.0	150	02	JN	
47.2	150	03	JN	LIVE
48.0	150	10	JN	LIVE
53.4	150	10	JN	
55.8	150	02	JN	
68.4	150	10	JN	
70.8	150	02	JN	LIVE

ALL JUNCTION INFORMATION
BASED ON CCTV INSPECTION



SECTION A-A
NTS

WATER SERVICE INFORMATION

ADDRESS	SIZE & TYPE STREET	SIZE & TYPE PROPERTY	STOP COCK LOCATION SHORT & LONG	CORP LOCATION FROM STOP COCK	REMARKS
#221 LOCKWOOD ST RESIDENTIAL	19 COPPER		2.0 SNL HOUSE 64.6 SSL WILLOW	4.9 N S/C	

METRIC

WHOLE NUMBERS INDICATE MILLIMETRES
DECIMALIZED NUMBERS INDICATE METRES

BENCH MARK: S.W. Cor. Academy Rd. & Lockwood St., Brass plug in 4.6 m Conc. pile, 0.7 m S. of S.L. Academy Rd. & 7.5 m W. of C.L. Lockwood St.

APEGM
Certificate of Authorization
Stantec Consulting Ltd.
No. 1301 Date: _____

BID OPPORTUNITY 911-2011

LOCATION APPROVED UNDERGROUND STRUCTURES SUPV. U/G STRUCTURES COMMITTEE DATE NOTE: LOCATION OF UNDERGROUND STRUCTURES AS SHOWN ARE BASED ON THE BEST INFORMATION AVAILABLE BUT NO GUARANTEE IS GIVEN THAT ALL EXISTING UTILITIES ARE SHOWN OR THAT THE GIVEN LOCATIONS ARE EXACT. CONFIRMATION OF EXISTENCE AND EXACT LOCATION OF ALL SERVICES MUST BE OBTAINED FROM THE INDIVIDUAL UTILITIES BEFORE PROCEEDING WITH CONSTRUCTION.	B.M. 51-45 ELEV. 233.853m	<p>Stantec Consulting Ltd. 905 Waverley Street, Winnipeg, Manitoba Tel 204-489-5900 Fax 204-453-9012</p>	ENGINEER'S SEAL CONSULTANT DRAWING NO. C-126	<p>THE CITY OF WINNIPEG WATER AND WASTE DEPARTMENT</p> <p>2011 SEWER RENEWALS AND EXTERNAL POINT REPAIRS CONTRACT NO. 18 LOCKWOOD STREET MH AT KINGSWAY AV TO MH AT WILLOW AV 300 CS POINT REPAIRS</p>	SHEET 33 OF 58 CAD FILE DRAWING NUMBER 13090c-126-768.dwg CITY DRAWING NUMBER 9741																								
	<table border="1" style="width: 100%;"> <thead> <tr> <th>NO.</th> <th>REVISIONS</th> <th>DATE</th> <th>BY</th> </tr> </thead> <tbody> <tr> <td> </td> <td> </td> <td> </td> <td> </td> </tr> </tbody> </table>		NO.		REVISIONS	DATE	BY					<table border="1" style="width: 100%;"> <tbody> <tr> <td>DESIGNED BY</td> <td>J.C</td> <td>CHECKED BY</td> <td>W.A.B.</td> </tr> <tr> <td>DRAWN BY</td> <td>D.L.</td> <td>APPROVED BY</td> <td>H.A.K.</td> </tr> <tr> <td>HOR. SCALE:</td> <td>1:500</td> <td>RELEASED FOR CONSTRUCTION:</td> <td> </td> </tr> <tr> <td>VERTICAL:</td> <td>N/A</td> <td> </td> <td> </td> </tr> <tr> <td>DATE</td> <td>11.09.01</td> <td>DATE</td> <td> </td> </tr> </tbody> </table>	DESIGNED BY	J.C	CHECKED BY	W.A.B.	DRAWN BY	D.L.	APPROVED BY	H.A.K.	HOR. SCALE:	1:500	RELEASED FOR CONSTRUCTION:		VERTICAL:	N/A			DATE
NO.	REVISIONS	DATE	BY																										
DESIGNED BY	J.C	CHECKED BY	W.A.B.																										
DRAWN BY	D.L.	APPROVED BY	H.A.K.																										
HOR. SCALE:	1:500	RELEASED FOR CONSTRUCTION:																											
VERTICAL:	N/A																												
DATE	11.09.01	DATE																											

V:\1112\active\111213090\drawing\402_design\sheet_files\13090c-126-768-Lockwood.dwg
2011 December 07, 9:17 a.m.