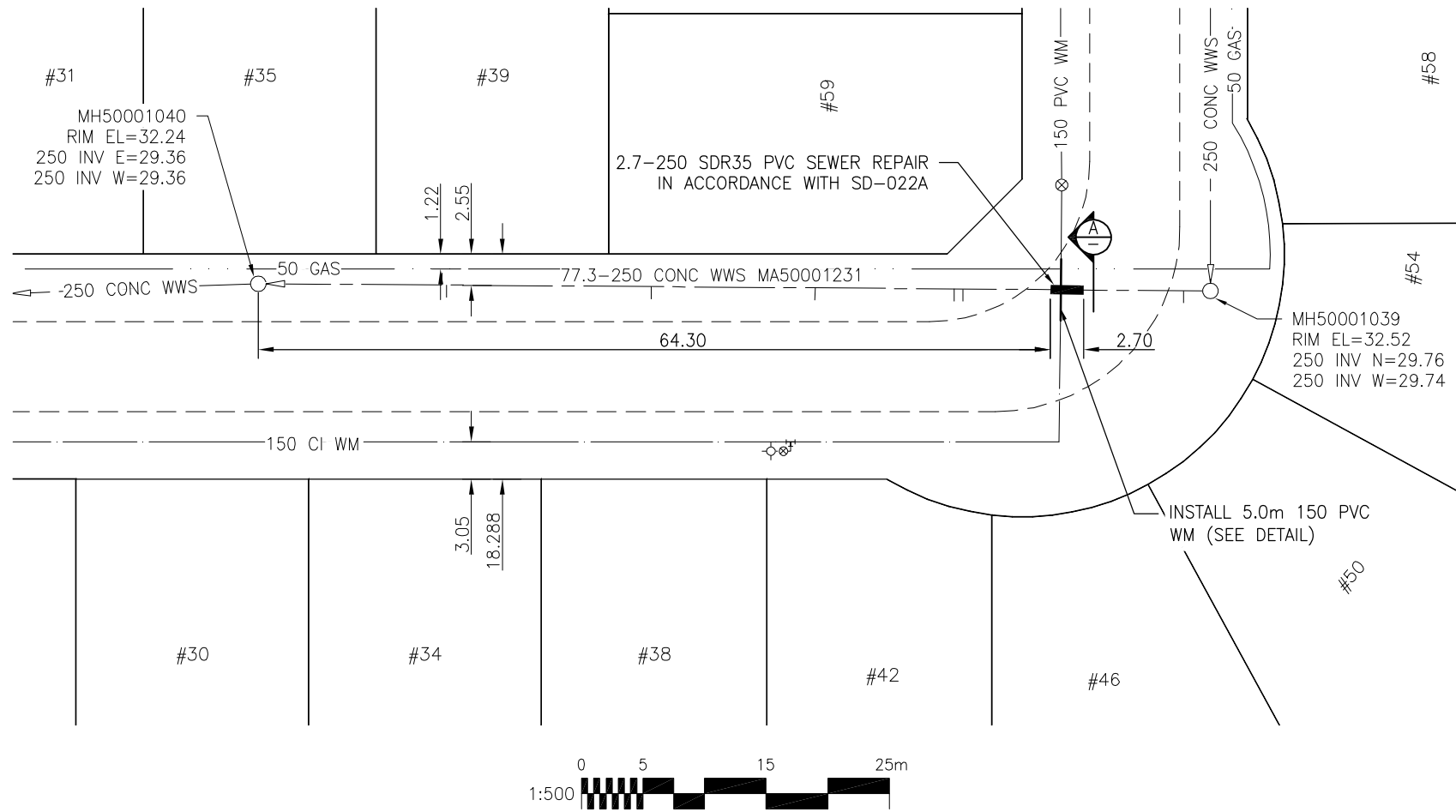
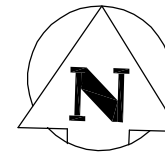


SHOREVIEW BAY (SOUTH LEG)



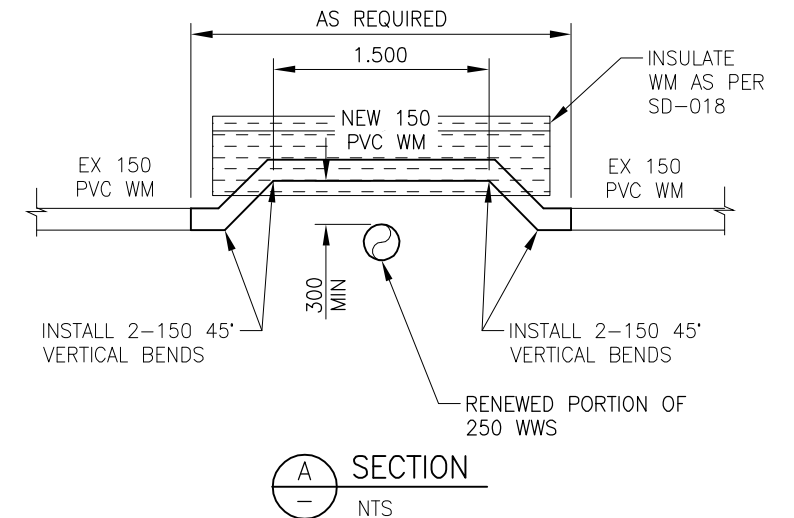
SEWER JUNCTION INFORMATION
FOR SEWER ID MA50001231
REFERENCE—METERS EAST OF MANHOLE MH50001040

DIST. FROM REF. MH	JUNCTION DIA.	CLOCK REF.	SERVICE TYPE	DESCRIPTION
14.9	150	10	CN	
15.3	150	02	CN	
31.9	150	02	CN	
45.2	150	03	CN	
56.5	50	01	CN	
57.2	150	03	CN	

SEWER JUNCTION INFORMATION
FOR SEWER ID MA50001231
REFERENCE—METERS WEST OF MANHOLE MH50001039

DIST. FROM REF. MH	JUNCTION DIA.	CLOCK REF.	SERVICE TYPE	DESCRIPTION
2.2	150	09	CN	

ALL JUNCTION INFORMATION
BASED ON CCTV INSPECTION



METRIC

WHOLE NUMBERS INDICATE MILLIMETRES
DECIMALIZED NUMBERS INDICATE METRES

BENCH MARK: W. side Beaverhill Blvd. & S. leg of Shoreview Bay, Tblt. on top of 0.05 m dia. x 2.4 m iron pipe, 9.4 m W. of C.L. Conc. Pav't. on Beaverhill Blvd. & 8.4 m N. of C.L. Conc. Pav't. on Shoreview Bay, or 2.7 m E. of W.L. of Beaverhill Blvd. & 0.6 m S. of N.L. of Shoreview Bay (S. leg)



Certificate of Authorization
Stantec Consulting Ltd.
No. 1301 Date: _____

BID OPPORTUNITY 911-2011

LOCATION APPROVED UNDERGROUND STRUCTURES

SUPV. U/G STRUCTURES COMMITTEE DATE

NOTE:
LOCATION OF UNDERGROUND STRUCTURES AS SHOWN ARE BASED ON THE BEST INFORMATION AVAILABLE BUT NO GUARANTEE IS GIVEN THAT ALL EXISTING UTILITIES ARE SHOWN OR THAT THE GIVEN LOCATIONS ARE EXACT. CONFIRMATION OF EXISTENCE AND EXACT LOCATION OF ALL SERVICES MUST BE OBTAINED FROM THE INDIVIDUAL UTILITIES BEFORE PROCEEDING WITH CONSTRUCTION.

B.M. ELEV.	55-50 232.288m		
NO.	REVISIONS	DATE	BY



Stantec Consulting Ltd.

905 Waverley Street, Winnipeg, Manitoba
Tel 204-489-5900 Fax 204-453-9012

DESIGNED BY	J.C.	CHECKED BY	W.A.B.
DRAWN BY	D.L.	APPROVED BY	H.A.K.
HOR. SCALE:	1:500	RELEASED FOR CONSTRUCTION:	
VERTICAL:	N/A	DATE	
NO.	REVISIONS	DATE	BY
		11.09.01	

ENGINEER'S SEAL

CONSULTANT DRAWING NO.
C-138



THE CITY OF WINNIPEG WATER AND WASTE DEPARTMENT

2011 SEWER RENEWALS
AND EXTERNAL POINT REPAIRS
CONTRACT NO. 18
SHOREVIEW BAY (SOUTH LEG)
MH AT SHOREVIEW BY (E LEG) TO 1ST MH W OF
SHOREVIEW BY (E LEG) - 250 WWS POINT REPAIR

SHEET	OF
45	58
CAD FILE DRAWING NUMBER 13090c-138-768.dwg	
CITY DRAWING NUMBER 9752	

V:\1112\active\111213090\drawing\402_design\sheet_files\13090c-138-768-Shoreview.dwg
2011 December 07, 9:21 a.m.