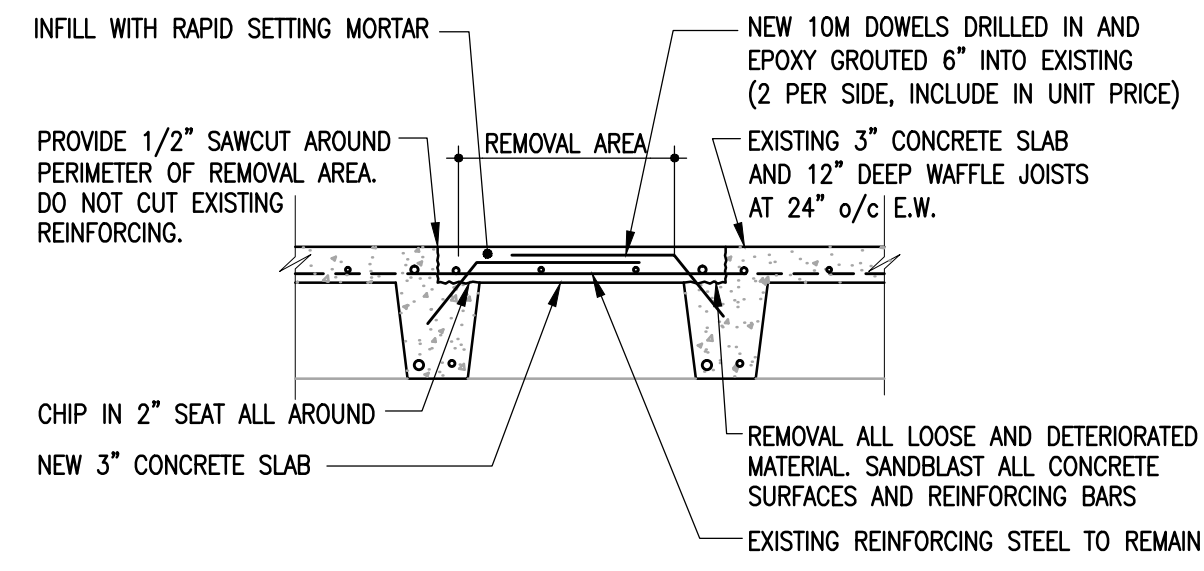
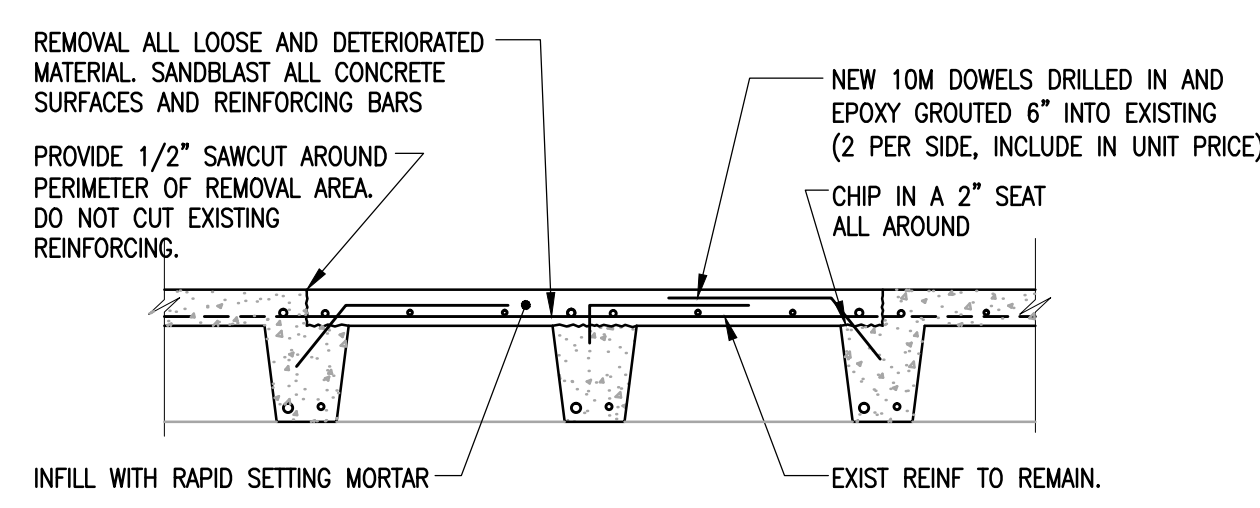


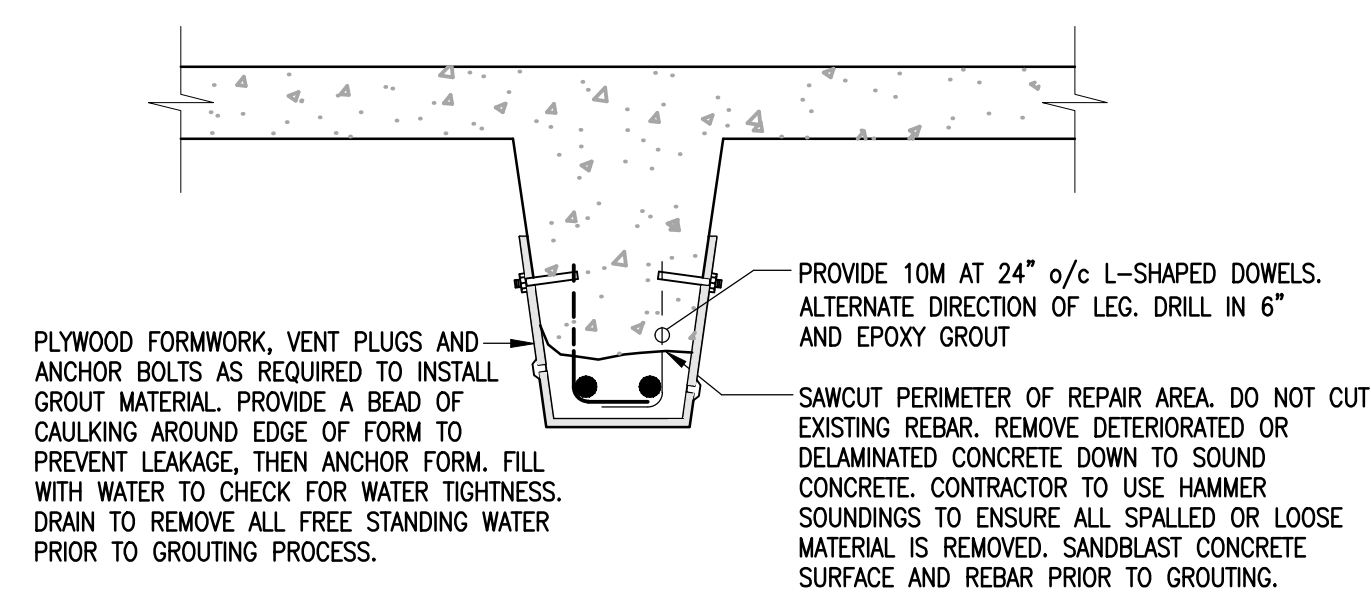
1 PART PLAN WAFFLE SLAB LAYOUT
S3.1 SCALE: 3/8" = 1'-0"



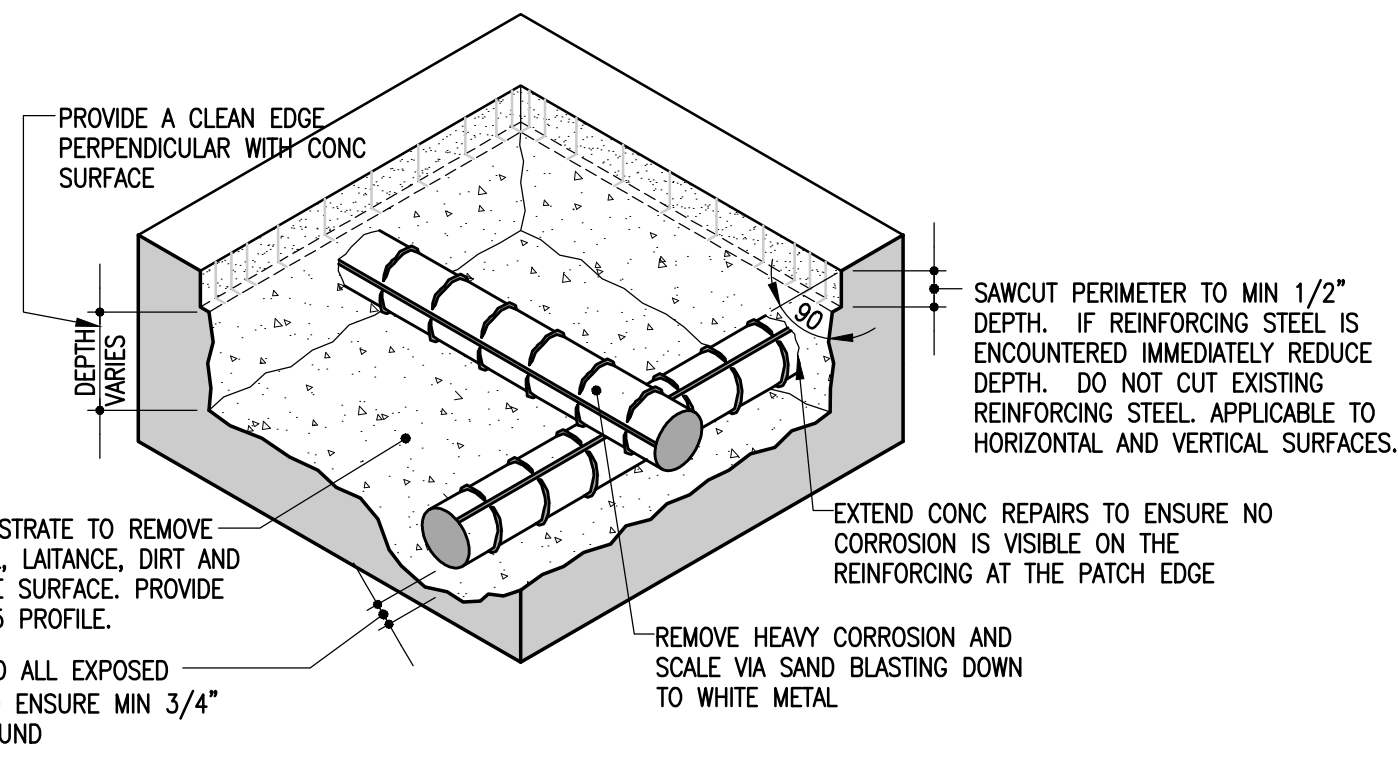
2 PAN SLAB REMOVAL AND REPLACEMENT
S3.1 SCALE: 3/4" = 1'-0"



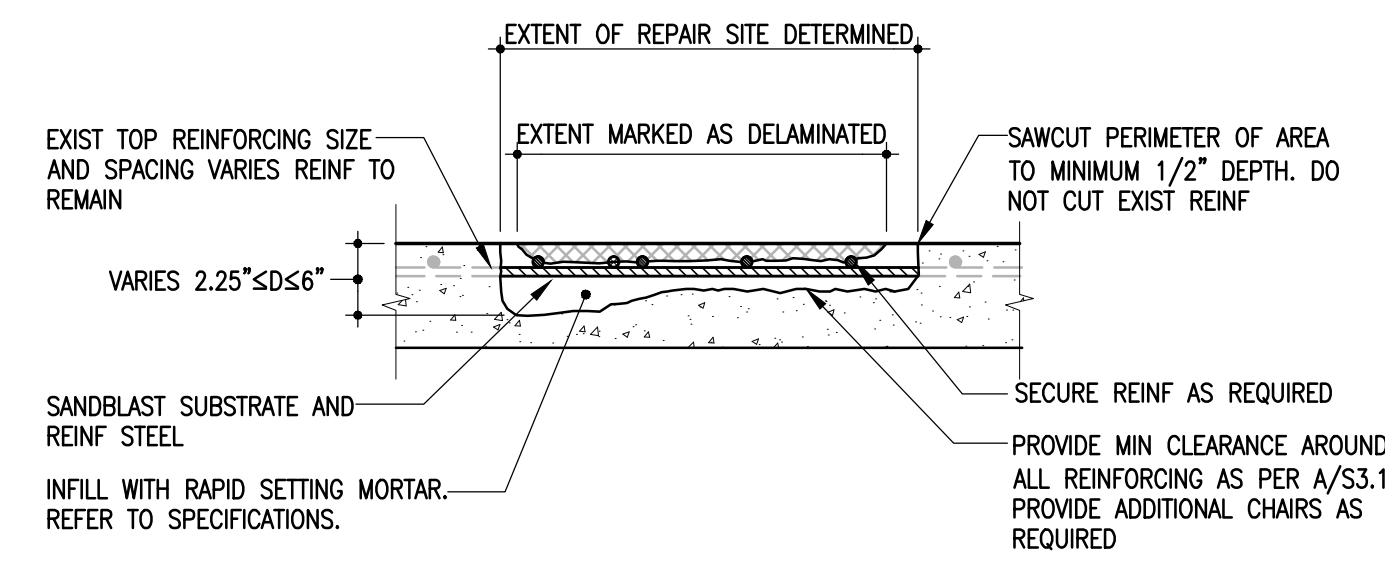
3 PAN SLAB REMOVAL AND REPLACEMENT
S3.1 SCALE: 3/4" = 1'-0"



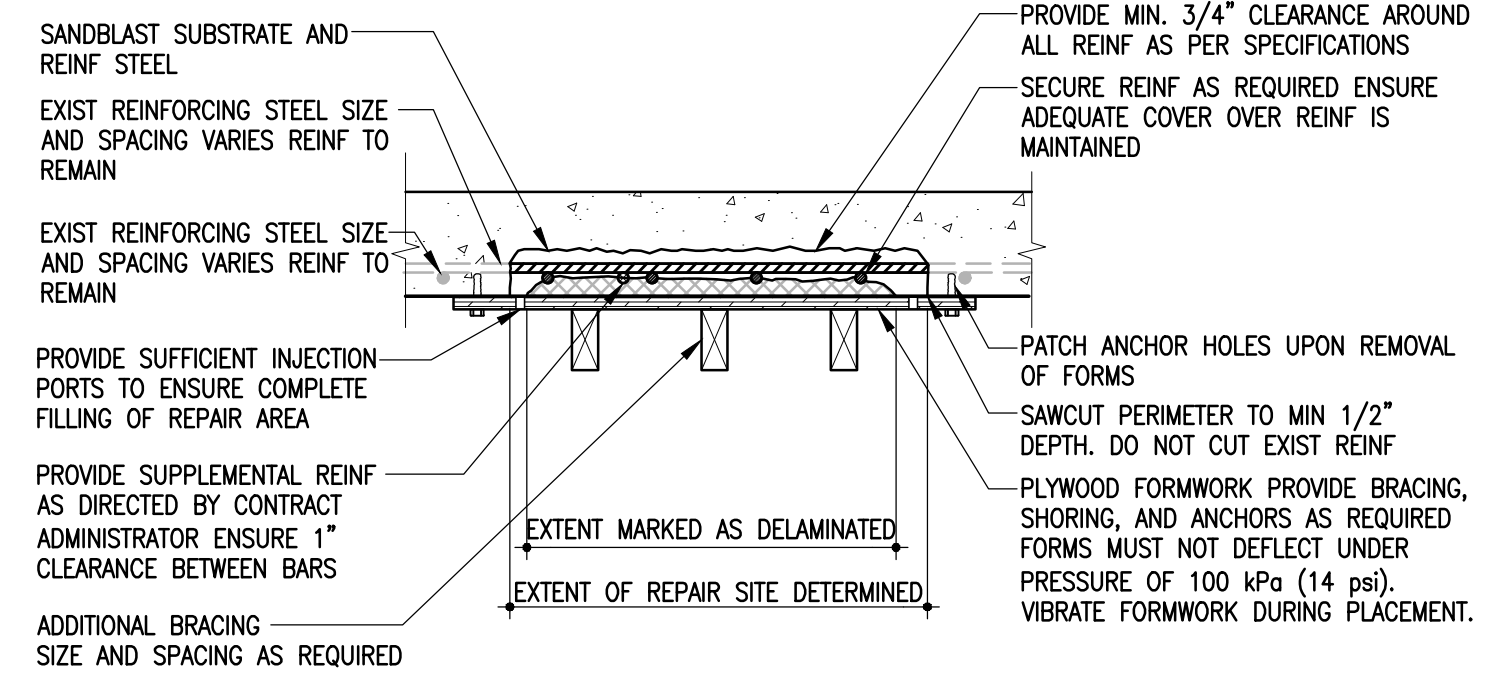
4 RIB GROUTING REPAIR
S3.1 SCALE: 1 1/2" = 1'-0"



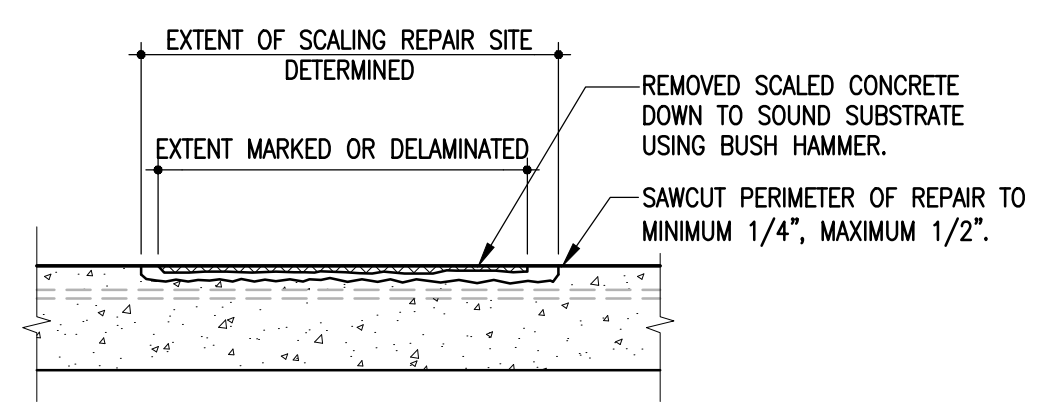
A TYPICAL SURFACE PREPARATION OF DELAMINATED CONCRETE
S3.1 SCALE: NTS



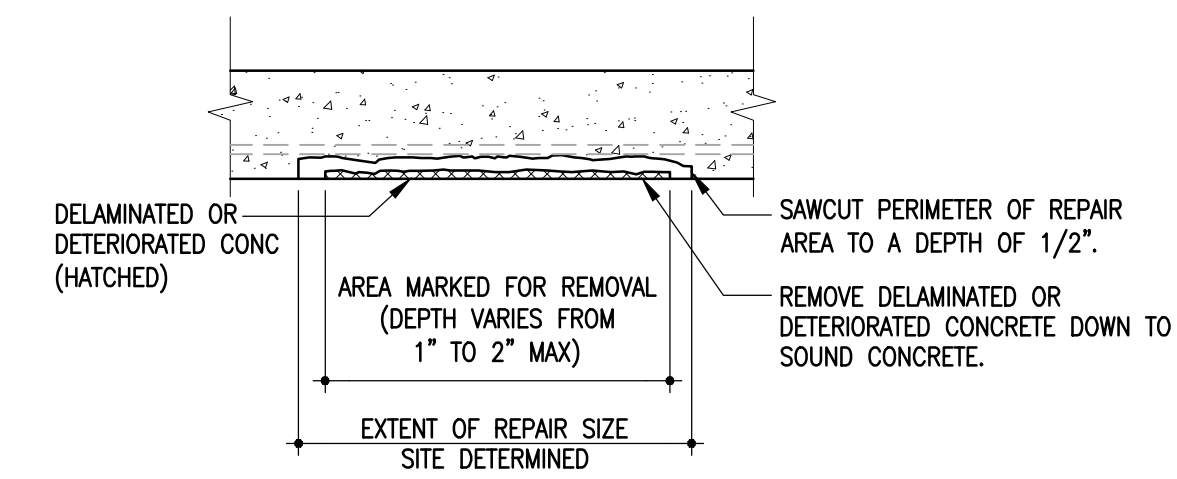
B TOP SURFACE REPAIR
S3.1 SCALE: NTS



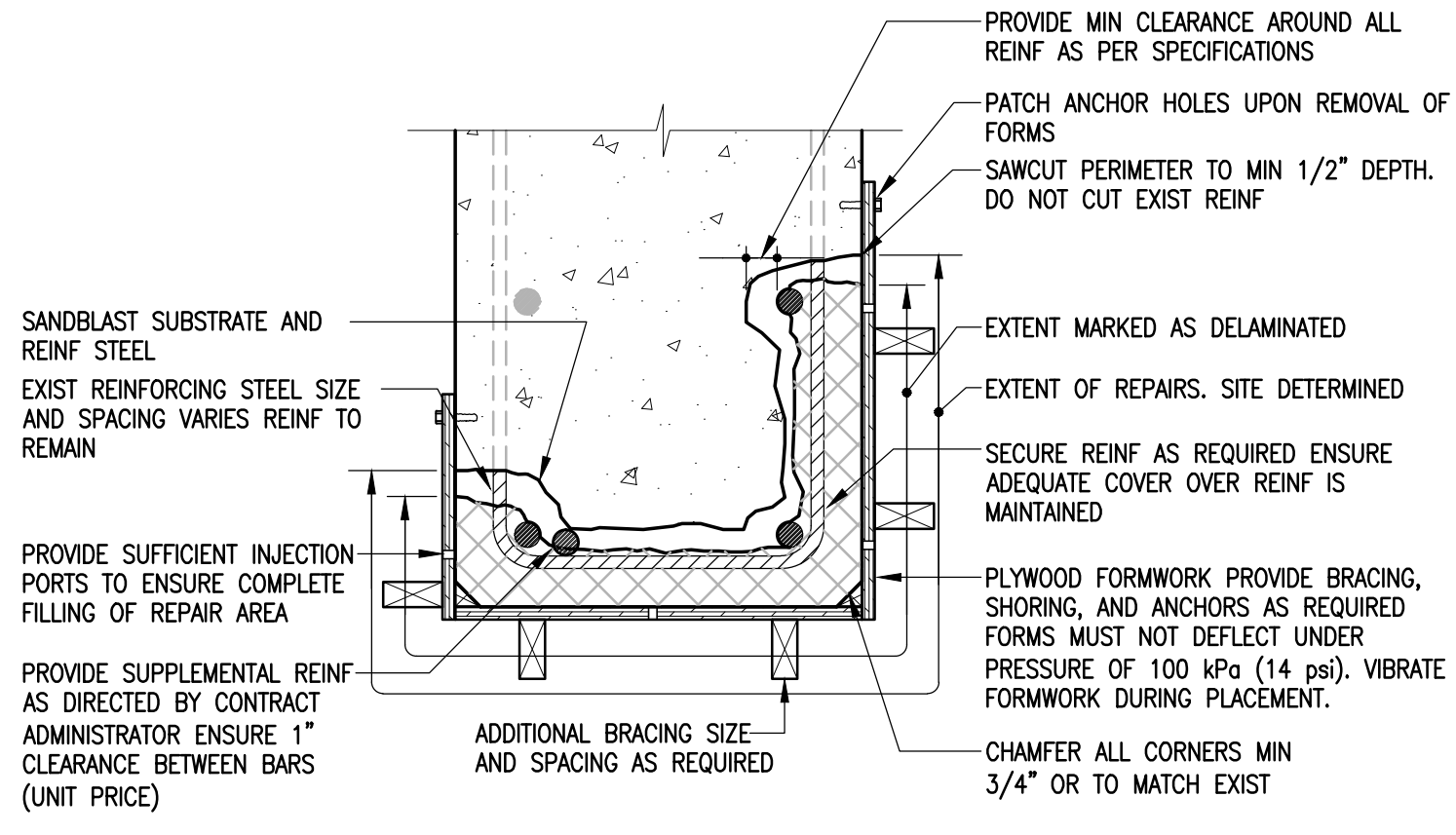
C SOFFIT/WALL PRESSURE GROUTING
S3.1 SCALE: NTS



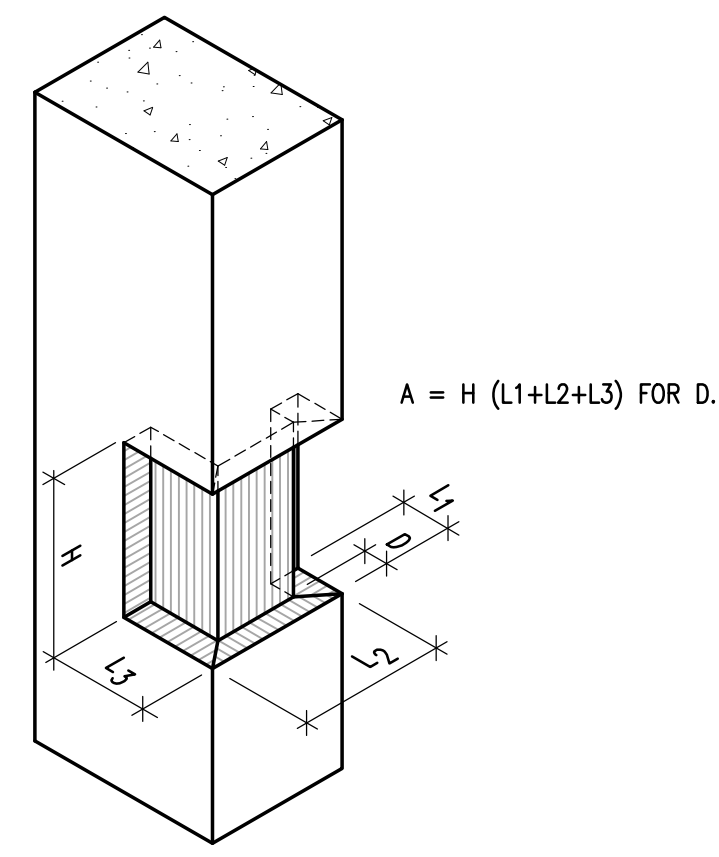
D SCALING REPAIR
S3.1 SCALE: NTS



E SOFFIT PATCHING
S3.1 SCALE: NTS



F BEAM SIDES & SOFFIT REPAIR
S3.1 SCALE: NTS



G MEASUREMENT PROCEDURES FOR BEAMS AND COLUMNS
S3.1 SCALE: NTS

THIS DRAWING MUST NOT BE SCALED.
THE GENERAL CONTRACTOR SHALL VERIFY ALL DIMENSIONS, DETAILS, AND LEVELS PRIOR TO COMMENCEMENT OF WORK. ALL ERRORS AND OMISSIONS TO BE REPORTED TO NUMBER TEN ARCHITECTURAL GROUP BEFORE PROCEEDING.
VARIATIONS AND MODIFICATIONS TO WORK SHOWN ON THESE DRAWINGS SHALL NOT BE CARRIED OUT WITHOUT WRITTEN PERMISSION OF NUMBER TEN ARCHITECTURAL GROUP.
THIS DRAWING IS THE EXCLUSIVE PROPERTY OF NUMBER TEN ARCHITECTURAL GROUP AND THE COPYRIGHT IN THE SAME BEING RESERVED TO THEM. IT MAY BE REPRODUCED ONLY WITH THE PERMISSION OF NUMBER TEN ARCHITECTURAL GROUP, IN WHICH CASE THE REPRODUCTION MUST BEAR THEIR NAME.

REVISED/ ISSUED/ PLOTTED	DATE
ISSUED FOR TENDER	NOV 21, 2011
R1 REVISION 1	MAR 06, 2012



numberTEN
architectural group
winnipeg MB regina SK victoria BC
204.942.0981 306.721.1501 250.360.2106
architecture • interior design • graphic design

PEGUIS PAVILION
UPGRADES AND ENTRY ADDITION
BIDDING #913-2011

project
TYPICAL CONCRETE
REPAIR DETAILS
sheet title
300-278 Canton Street
Winnipeg, Manitoba R3C 5R6
F 204.943.7501
F 204.943.7507
2011-0492
Crosier Kilgour & Partners Ltd.
CONSULTING STRUCTURAL ENGINEERS

consultant
ORIGINAL DRAWING
SEALED BY
D.J. MIZAK
AND DATED
NOV 21, 2011

scale: AS NOTED
date: March 7, 2012
drawn by: MS
checked by: TKM
project no. 2011026
sheet no. S3.1-R1