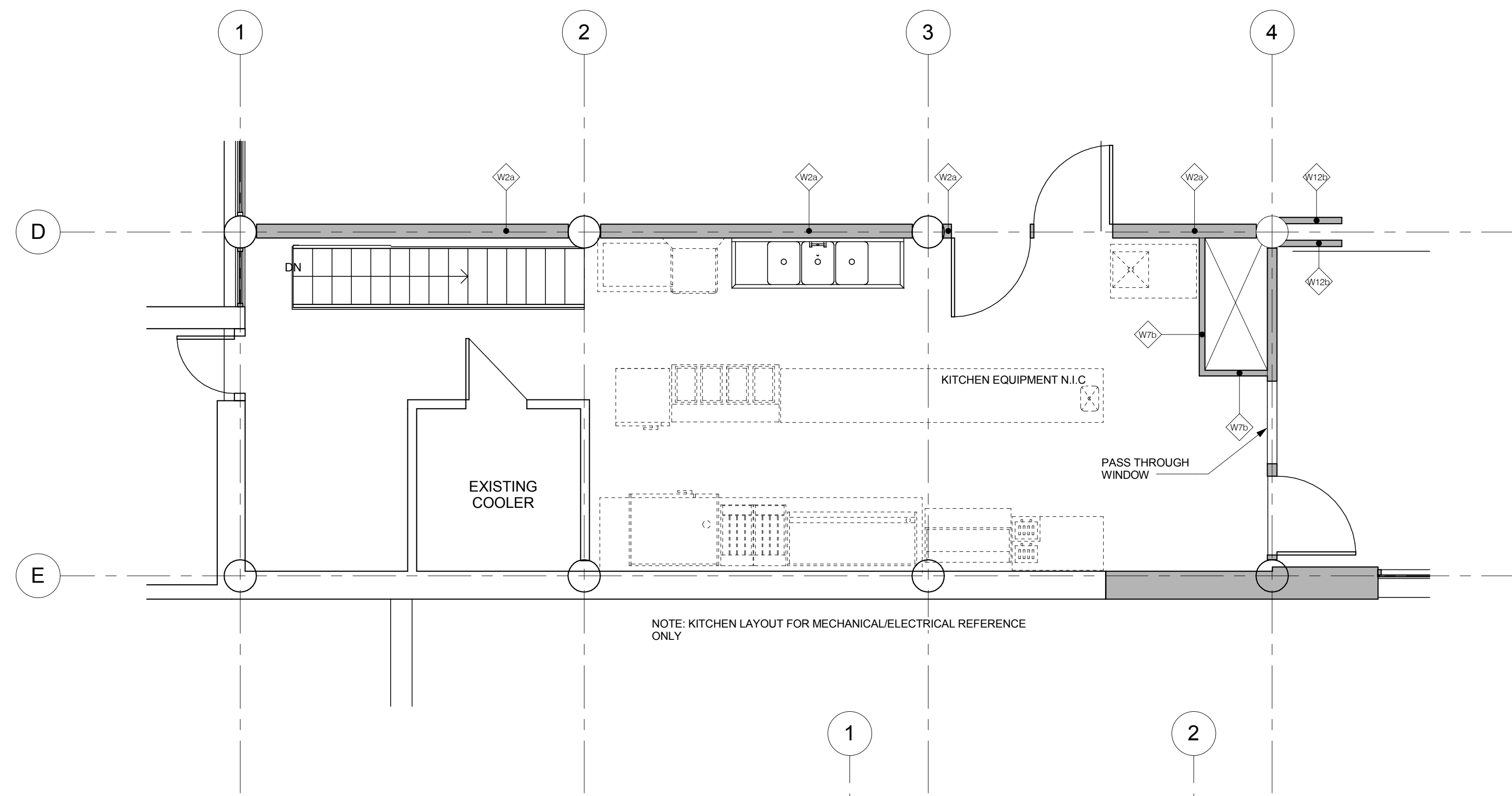
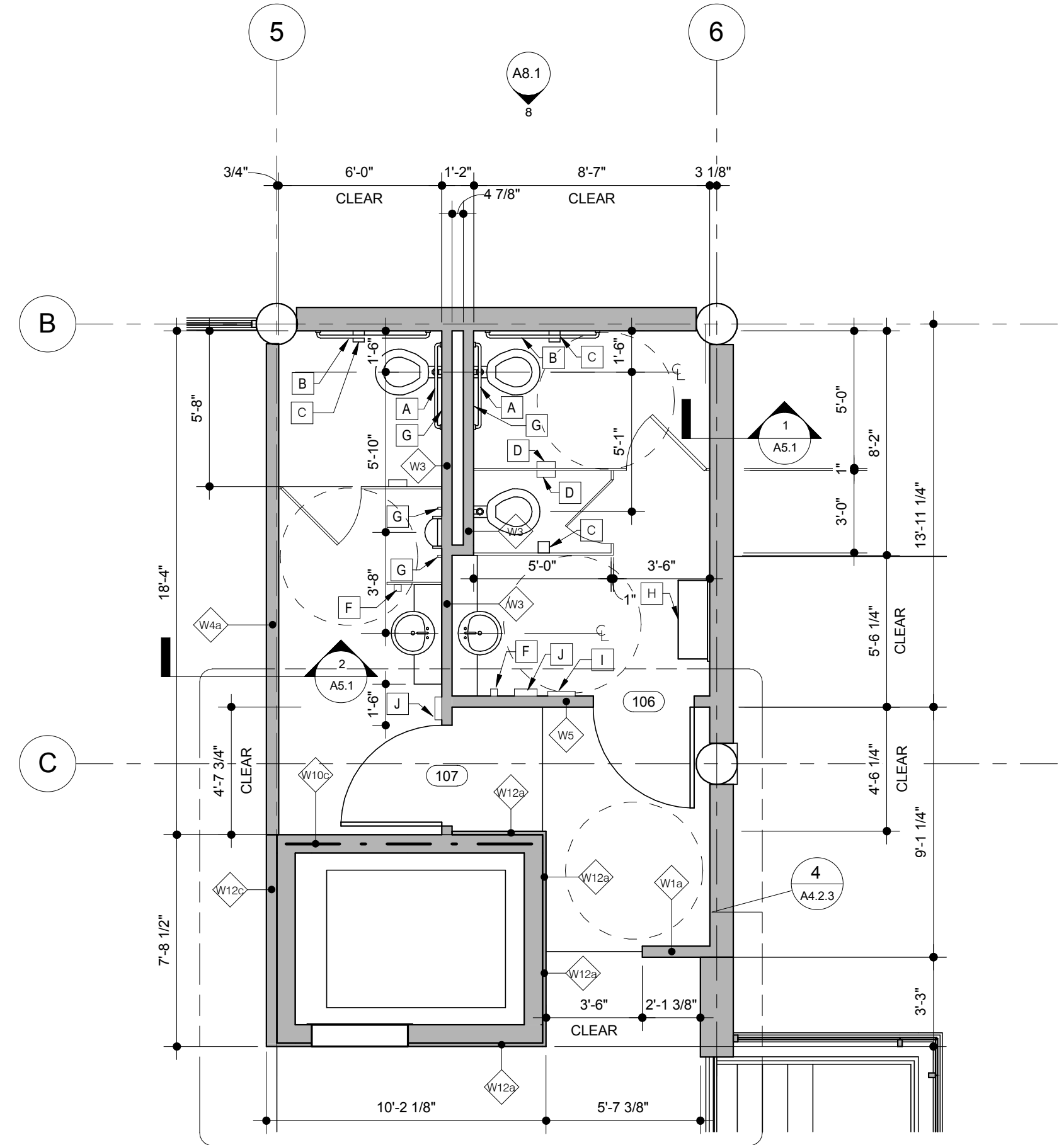


THIS DRAWING MUST NOT BE SCALED.
 THE GENERAL CONTRACTOR SHALL VERIFY ALL DIMENSIONS, DATUMS, AND LEVELS PRIOR TO COMMENCEMENT OF WORK. ALL ERRORS AND OMISSIONS TO BE REPORTED TO NUMBER TEN ARCHITECTURAL GROUP BEFORE PROCEEDING.
 VARIATIONS AND MODIFICATIONS TO WORK SHOWN ON THESE DRAWINGS SHALL NOT BE CARRIED OUT WITHOUT WRITTEN PERMISSION OF NUMBER TEN ARCHITECTURAL GROUP.
 THIS DRAWING IS THE EXCLUSIVE PROPERTY OF NUMBER TEN ARCHITECTURAL GROUP AND THE COPYRIGHT IN THE SAME REMAINS RESERVED TO THEM. IT MAY BE REPRODUCED ONLY WITH THE PERMISSION OF NUMBER TEN ARCHITECTURAL GROUP, IN WHICH CASE THE REPRODUCTION MUST BEAR THEIR NAME.

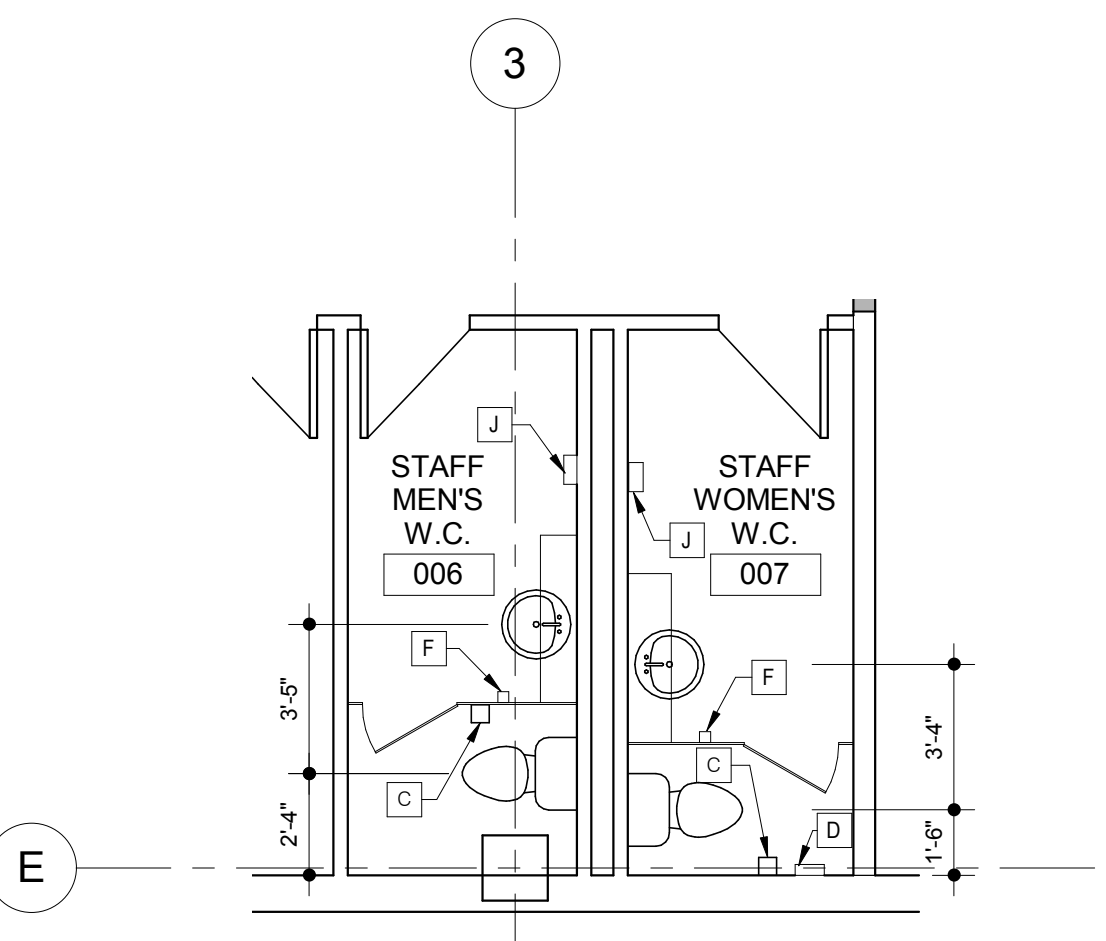
REVISION NO.	DESCRIPTION	REVISED/ISSUED/PLOTTED



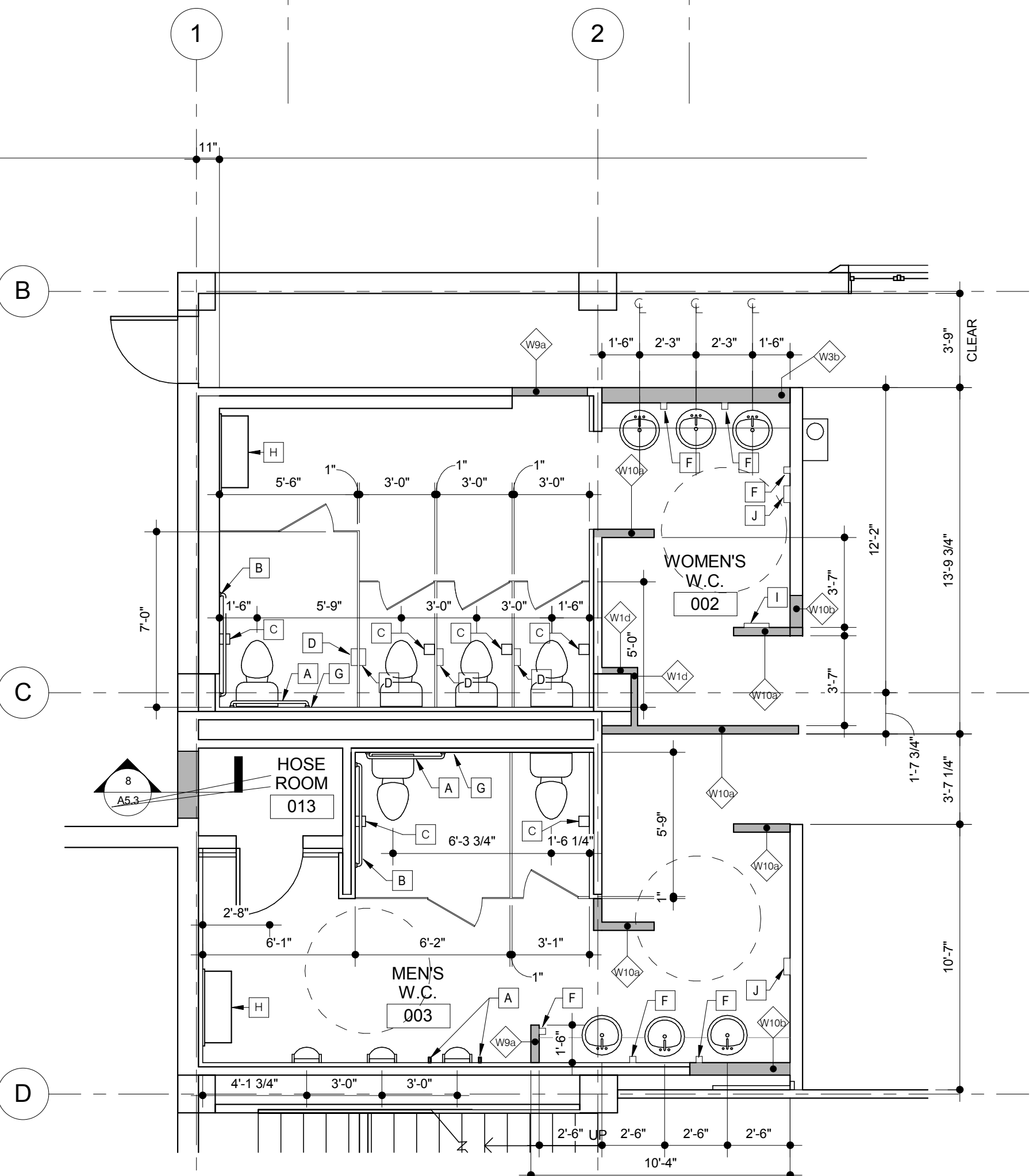
4 Floor Plan - Proposed Kitchen Layout
 A4.1 1/4" = 1'-0"



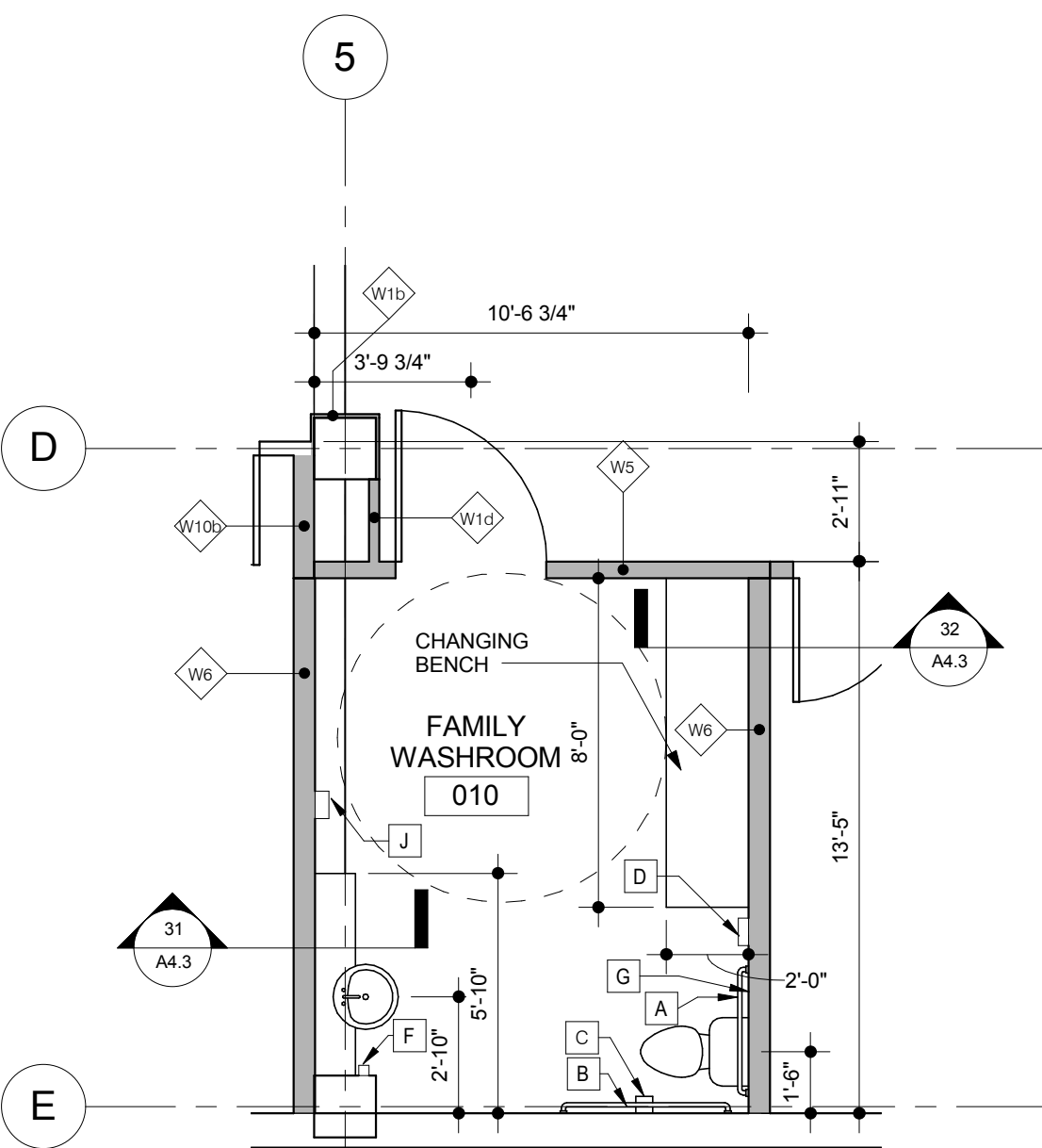
2 Enlarged Floor Plan - Toilets
 A4.1 1/4" = 1'-0"



5 Enlarged Floor Plan - Staff Toilets
 A4.1 1/4" = 1'-0"



3 Enlarged Floor Plan - Basement Toilets
 A4.1 1/4" = 1'-0"



1 Enlarged Floor Plan - Family Restroom
 A4.1 1/4" = 1'-0"

PRE-TENDER REVIEW SET

numberTEN
 architectural group

winnipeg MB regina SK victoria BC
 204 942.0981 306 721.1501 250 360.2106
 architecture • interior design • graphic design

Peguis Pavilion Upgrades and Entry Addition
 Kildonan Park
 Winnipeg, Manitoba, Canada

Enlarged Plans
 sheet title

consultant

seal
 drawn by: Author
 checked by: Checker
 project no. 2011026

scale: 1/4" = 1'-0"
 date: NOV 21 2011
 sheet no. **A4.1**